



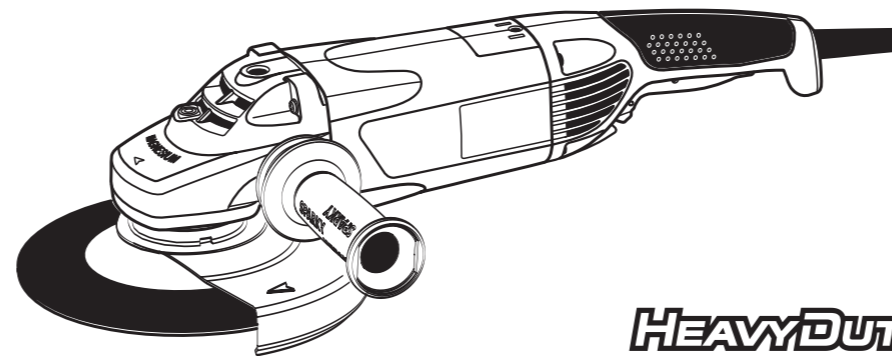
POWER
TOOLS



SPARKY

HD PROFESSIONAL

EN	ANGLE GRINDER	1 – 11
	Original instructions	
DE	WINKELSCHLEIFER	12 – 24
	Originalbetriebsanleitung	
FR	MEULEUSE ANGULAIRE	25 – 36
	Notice originale	
IT	SMERIGLIATRICE ANGOLARE	37 – 48
	Istruzioni originali	
ES	ESMERILADORA ANGULAR	49 – 61
	Instrucciones de uso originales	
PT	REBARBADORA ANGULAR	62 – 74
	Manual original	
PL	SZLIFIERKA KĄTOWA	75 – 86
	Oryginalna instrukcja obsługi	
RU	УГЛОШЛИФОВАЛЬНАЯ МАШИНА	87 – 100
	Оригинальная инструкция по эксплуатации	
UK	КУТОШЛІФОВАЛЬНА МАШИНА	101 – 113
	Оригінальна інструкція з експлуатації	
BG	ЪГЛОШЛИФОВЪЧНА МАШИНА	114 – 127
	Оригинална инструкция за използване	



HEAVYDUTY

2000W M 2000 HD • MB 2000P HD • MA 2000 HD • MBA 2000P HD
 2200W M 2200 HD • MB 2200P HD • MA 2200 HD • MBA 2200P HD
 2400/2600W M 2400 HD • MB 2400P HD • MA 2400 HD • MBA 2400P HD • MB 2600P HD • MBA 2600P HD



EN

DECLARATION OF CONFORMITY

We declare under our sole responsibility that this product, described under "Technical specifications", fulfils all the relevant provisions of the following directives and the harmonized standards: 2006/42/EC, 2014/30/EU, 2011/65/EU, EN 60745-1, EN 60745-2-3; EN 55014-1, EN 55014-2, EN 61000-3-2, EN 61000-3-3, EN 50581. Technical file is stored at SPARKY ELTOS AD, Kubrat Str. 9, 5500 Lovech, Bulgaria.

DE

KONFORMITÄTSERKLÄRUNG

Hiermit versichern wir unsere persönliche Haftung, dass Produkt im Abschnitt "Technische Daten" beschrieben" allen einschlägigen Bestimmungen folgender Richtlinien und entsprechender harmonisierten Standards entspricht: 2006/42/EC, 2014/30/EU, 2011/65/EU, EN 60745-1, EN 60745-2-3; EN 55014-1, EN 55014-2, EN 61000-3-2, EN 61000-3-3, EN 50581. Die technischen Unterlagen werden bei SPARKY ELTOS AD, Kubrat Str.9, 5500 Lovech, Bulgarien, aufbewahrt.

FR

DECLARATION DE CONFORMITE

Nous déclarons sous notre responsabilité que le produit décrit dans la rubrique "Données techniques" satisfait à l'ensemble des dispositions pertinentes des présentes directives, respectivement aux normes harmonisées: 2006/42/CE, 2014/30/UE, 2011/65/UE, EN 60745-1, EN 60745-2-3; EN 55014-1, EN 55014-2, EN 61000-3-2, EN 61000-3-3, EN 50581. Le dossier technique est conservé par SPARKY ELTOS AD, 9, rue Kubrat, 5500 Lovech, Bulgarie.

IT

DICHIARAZIONE DI CONFORMITÀ

Noi dichiariamo sotto la nostra personale responsabilità, che il prodotto, descritto nella sezione "Dati tecnici" è in conformità a tutte le disposizioni pertinenti della presente direttiva e norme armonizzate: 2006/42/CE, 2014/30/UE, 2011/65/UE, EN 60745-1, EN 60745-2-3; EN 55014-1, EN 55014-2, EN 61000-3-2, EN 61000-3-3, EN 50581. Il fascicolo tecnico viene custodito presso la SPARKY ELTOS AD, 5500 Lovech, via Kubrat n. 9, Bulgaria.

ES

DECLARACIÓN DE CONFORMIDAD

Declaramos bajo nuestra exclusiva responsabilidad que el producto, descrito en los "Datos técnicos", está conforme con todas las disposiciones aplicables de la presente directrices aplicables y las correspondientes normas armonizadas: 2006/42/CE, 2014/30/UE, 2011/65/UE, EN 60745-1, EN 60745-2-3; EN 55014-1, EN 55014-2, EN 61000-3-2, EN 61000-3-3, EN 50581. El expediente técnico está archivado en SPARKY ELTOS AD, C/ Kubrat, 9, 5500 Lovech, Bulgaria.

PT

DECLARAÇÃO DE CONFORMIDADE

Declaramos assumindo a nossa responsabilidade pessoal que o produto, descrito em los "Dados técnicos", está conforme com todas as disposições relevantes da presente directriz aplicáveis e respectivos estandartes harmonizados: 2006/42/CE, 2014/30/UE, 2011/65/UE, EN 60745-1, EN 60745-2-3; EN 55014-1, EN 55014-2, EN 61000-3-2, EN 61000-3-3, EN 50581. A documentação técnica guarda-se no SPARKY ELTOS AD, rua Kubrat 9, 5500, Lovech, Bulgária.

PL

DEKLARACJA ZGODNOŚCI

Niniejszym deklarujemy naszą osobistą odpowiedzialnością, że produkt, przedstawiony w rozdziale „Dane techniczne”, pełnia wszystkie odpowiednie postanowienia następujących dyrektyw i harmonizowanych standardów: 2006/42/WE, 2014/30/UE, 2011/65/UE, EN 60745-1, EN 60745-2-3; EN 55014-1, EN 55014-2, EN 61000-3-2, EN 61000-3-3, EN 50581. Teczka techniczna przechowywana jest w SPARKY ELTOS AD, Kubrat Str.9, 5500 Lovech, Bulgaria.

RU

ДЕКЛАРАЦИЯ О СООТВЕТСТВИИ

Мы заявляем со всей ответственностью, что продукт, описанный в разделе "Технические данные", полностью соответствует всем соответствующим требованиям действующих директив и гармонизированных стандартов: 2006/42/EC, 2014/30/EU, 2011/65/EU, EN 60745-1, EN 60745-2-3; EN 55014-1, EN 55014-2, EN 61000-3-2, EN 61000-3-3, EN 50581. Техническое досье хранится в СПАРКИ ЕЛТОС АД, ул. Кубрат №9, 5500 Ловеч, Болгария.

UK

ДЕКЛАРАЦІЯ ПРО ВІДПОВІДНІСТЬ

Ми заявляємо під свою власну відповідальність, що продукт, описаний у розділі "Технічні дані" відповідає всім діючим вимогам директив і гармонізованих стандартів: 2006/42/EC, 2014/30/EU, 2011/65/UE, EN 60745-1, EN 60745-2-3; EN 55014-1, EN 55014-2, EN 61000-3-2, EN 61000-3-3, EN 50581. Технічне досьє зберігається в СПАРКИ ЕЛТОС АД, ул. Кубрат № 9, 5500 Ловеч, Болгарія.

BG

ДЕКЛАРАЦИЯ ЗА СЪОТВЕТСТВИЕ

Ние декларираме на своя лична отговорност, че изделието, описано в раздел "Технически данни", отговаря на всички приложими изисквания на следните директиви и хармонизирани стандарти: 2006/42/EC, 2014/30/EU, 2011/65/UE, EN 60745-1, EN 60745-2-3; EN 55014-1, EN 55014-2, EN 61000-3-2, EN 61000-3-3, EN 50581. Техническото досие се съхранява в СПАРКИ ЕЛТОС АД, ул. Кубрат №9, 5500 Ловеч, България.

Manufacturer
 SPARKY Power Tools GmbH
 Leipziger Str. 20
 10117 Berlin, GERMANY

Signature of authorized person

A. Ivanov
 Technical director of SPARKY ELTOS AD

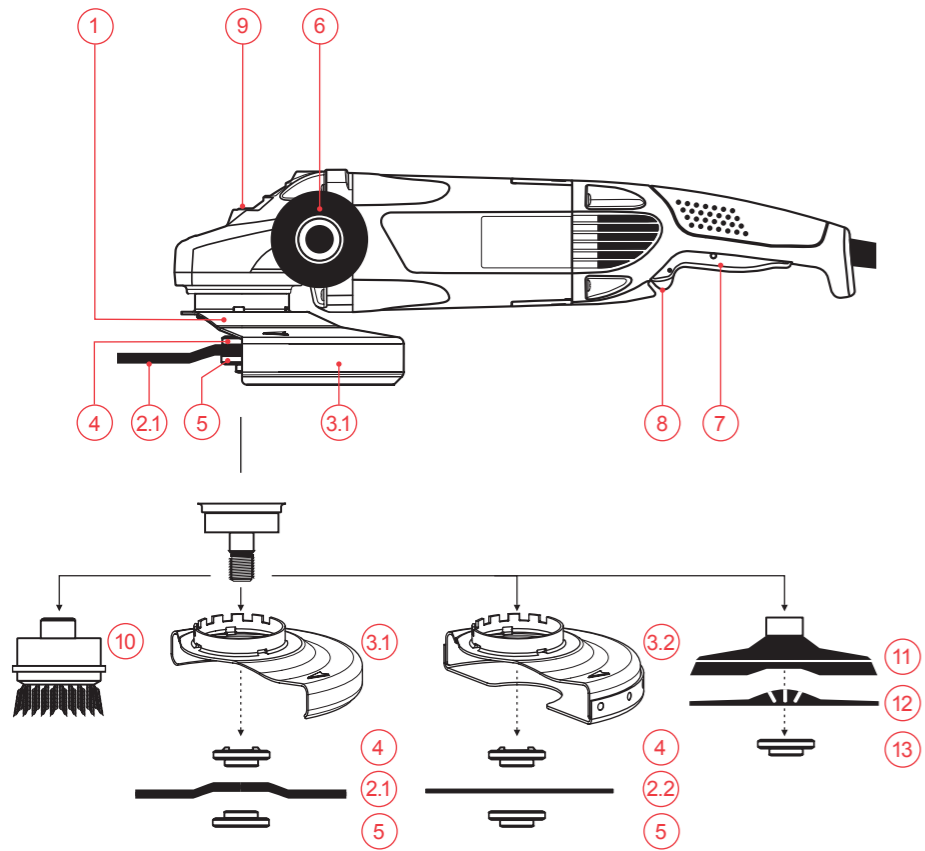
6 March 2017

142324V5

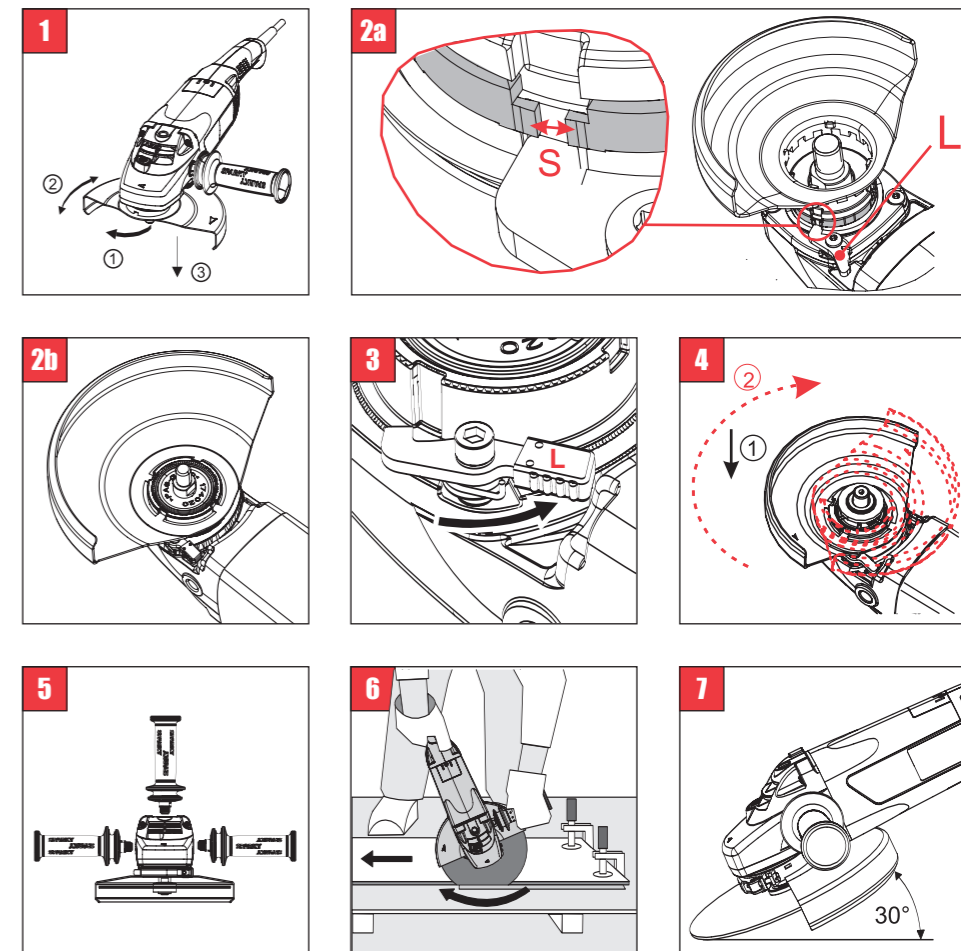
1802R01

© 2018 SPARKY

www.sparky.eu



A



B

Contents

Introduction	1
Technical specifications	3
General power tool safety warnings	4
Angle grinder safety warnings	5
Know your product	A/8
Operation	B/8
Maintenance	10
Warranty	11

UNPACKING

Due to modern mass production techniques, it is unlikely that your power tool is faulty or that a part is missing. If you find anything wrong, do not operate the tool until the parts have been replaced or the fault has been rectified. Failure to do so could result in serious personal injury.

ASSEMBLY

The angle grinder is packed fully assembled except for the wheel guard and the auxiliary handle.

Introduction

Your new SPARKY power tool will more than satisfy your expectations. It has been manufactured under stringent SPARKY Quality Standards to meet superior performance criteria. You will find your new tool easy and safe to operate, and, with proper care, it will give you many years of dependable service.

WARNING:



Carefully read through these Original Instructions before using your new SPARKY power tool. Take special care to heed the Warnings. Your SPARKY power tool has many features that will make your job faster and easier. Safety, performance, and dependability have been given top priority in the development of this tool, making it easy to maintain and operate.



Do not dispose of electric tools together with household waste!

Waste electrical products should not be disposed of with household waste. Please recycle where facilities exist. Check with your local authority or retailer for recycling advice.

ENVIRONMENTAL PROTECTION



The machine, accessories and packaging should be sorted for environmental-friendly recycling.

The plastic components are labelled for categorised recycling.

DESCRIPTION OF SYMBOLS

The rating plate on your power tool may show symbols. These represent important information about the product or instructions on its use.



Double insulated for additional protection.



Spindle thread: M14



Conforms to the relevant European Directives.



Conforms to the requirements of Customs Union regulations.



Refer to Original Instructions.



Always wear eye protection.

YYYY-Www Production period, where the variable symbols are:
YYYY- year of manufacture,
ww - calendar week number.

M, MA, MB, MBA Angle grinder.

Technical specifications

Model	M2000 HD	MA2000 HD	M2200 HD	MA2200 HD	M2400 HD	MA2400 HD	MB2600P HD	MBA2600P HD
	MB2000P HD	MBA2000P HD	MB2200P HD	MBA2200P HD	MB2400P HD	MBA2400P HD		
Power input	2000 W	2000 W	2200 W	2200 W	2400 W	2400 W	2600 W	2600 W
Rated speed	8500 min ⁻¹	6600 min ⁻¹	8500 min ⁻¹	6600 min ⁻¹	8500 min ⁻¹	6600 min ⁻¹	8500 min ⁻¹	6600 min ⁻¹
Spindle thread	M14	M14	M14	M14	M14	M14	M14	M14
Spindle thread length	20 mm	20 mm	20 mm	20 mm	20 mm	20 mm	20 mm	20 mm
Wheel arbor	22.23	22.23	22.23	22.23	22.23	22.23	22.23	22.23
Max. wheel diameter	180 mm	230 mm	180 mm	230 mm	180 mm	230 mm	180 mm	230 mm
Max. wheel thickness	10 mm	10 mm	10 mm	10 mm	10 mm	10 mm	10 mm	10 mm
Weight (EPTA)								
Procedure 01/2014)	5.4 kg	5.6 kg	5.3 kg	5.5 kg	6.0 kg	6.2 kg	6.1 kg	6.3 kg
	5.4 kg	5.6 kg	5.3 kg	5.5 kg	6.0 kg	6.2 kg		
Safety class								
(EN 60745-1)	II	II	II	II	II	II	II	II

NOISE AND VIBRATION INFORMATION

Measured values determined according to EN 60745.

Noise emission

A-weighted sound

pressure level L_{PA} 91 dB(A) 91 dB(A) 92 dB(A) 92 dB(A) 92 dB(A) 92 dB(A) 92 dB(A) 92 dB(A)

Uncertainty K_{PA} 3.0 dB 3.0 dB 3.0 dB 3.0 dB 3.0 dB 3.0 dB 3.0 dB 3.0 dB

A-weighted sound

power level L_{WA} 102 dB(A) 102 dB(A) 103 dB(A) 103 dB(A) 103 dB(A) 103 dB(A) 103 dB(A) 103 dB(A)

Uncertainty K_{WA} 3.0 dB 3.0 dB 3.0 dB 3.0 dB 3.0 dB 3.0 dB 3.0 dB 3.0 dB

Wear hearing protection!

Vibration emission *

Total vibration values (vector sum in the three axes) determined according to EN 60745:

Surface grinding

Vibration emission

value a_{RAG} 5.1 m/s² 5.1 m/s² 5.0 m/s² 5.0 m/s² 4.9 m/s² 4.9 m/s² 5.0 m/s² 5.0 m/s²

Uncertainty K_{AG} 1.5 m/s² 1.5 m/s² 1.5 m/s² 1.5 m/s² 1.5 m/s² 1.5 m/s² 1.5 m/s² 1.5 m/s²

Sanding

Vibration emission

value a_{RDS} 5.4 m/s² 5.4 m/s² 5.4 m/s² 5.4 m/s² 5.4 m/s² 5.4 m/s² 5.4 m/s² 5.4 m/s²

Uncertainty K_{DS} 2.0 m/s² 2.0 m/s² 1.5 m/s² 1.5 m/s² 1.5 m/s² 1.5 m/s² 2.0 m/s² 2.0 m/s²

* The vibration emission values are determined according to 6.2.7 EN 60745.

The vibration emission level given in this information sheet has been measured in accordance with a standardised test given in EN 60745 and may be used to compare one tool with another. It may be used for a preliminary assessment of exposure.

The declared vibration emission level represents the main applications of the tool. However if the tool is used for different applications, with different accessories or poorly maintained, the vibration emission may differ. This may significantly increase the exposure level over the total working period.

An estimation of the level of exposure to vibration should also take into account the times when the tool is switched off or when it is running but not actually doing the job. This may significantly reduce the exposure level over the total working period.

Maintain the power tool and the accessories and keep your hands warm during operation to reduce the harmful effect of vibrations.

Other applications such as cutting-off or wire brushing may have different vibration emission values.

Dust from material such as paint containing lead, some wood species, minerals and metal may be harmful. Contact with or inhalation of the dust may cause allergic reactions and/or respiratory diseases to the operator or bystanders.

Certain kinds of dust are classified as carcinogenic such as oak and beech dust especially in conjunction with additives for wood conditioning (chromate, wood preservative). Material containing asbestos must only be treated by specialists.

- Where the use of a dust extraction device is possible it shall be used.
- The work place must be well ventilated.
- The use of a dust mask of filter class P2 is recommended.

Follow national requirements for the materials you want to work with.

All models with index A in the abbreviation are equipped with Ø230 mm wheel. The lack of index A indicates that the model is equipped with Ø180 mm wheel.

All models with Index B are equipped with electronic device for soft start and restriction of starting current to 16 A.

Models with index P feature safety upon mains drop-out. In case of mains drop-out or unplugging for more than 0.5 s the power tool remains switched off and can be started only after switching off and on the ON/OFF switch. The lack of index P indicates that the ON/OFF switch does not have a locking button. (This safety feature is described in part "Operation".)

General power tool safety warnings



WARNING! Read all safety warnings and all instructions. Failure to follow the warnings and instructions may result in electric shock, fire and/or serious injury.

Save all warnings and instructions for future reference.

The term "power tool" in the warnings refers to your mains-operated (corded) power tool or battery-operated (cordless) power tool.

1) Work area safety

- Keep work area clean and well lit.** Cluttered or dark areas invite accidents.
- Do not operate power tools in explosive atmospheres, such as in the presence of flammable liquids, gases or dust.** Power tools create sparks which may ignite the dust or fumes.
- Keep children and bystanders away while operating a power tool.** Distractions can cause you to lose control.

2) Electrical safety

- Power tool plugs must match the outlet. Never modify the plug in any way. Do not use any adapter plugs with earthed (grounded) power tools.** Unmodified plugs and matching outlets will reduce risk of electric shock.
- Avoid body contact with earthed or grounded surfaces, such as pipes, radiators, ranges and refrigerators.** There is an increased risk of electric shock if your body is earthed or grounded.

- Do not expose power tools to rain or wet conditions.** Water entering a power tool will increase the risk of electric shock.
- Do not abuse the cord. Never use the cord for carrying, pulling or unplugging the power tool. Keep cord away from heat, oil, sharp edges or moving parts.** Damaged or entangled cords increase the risk of electric shock.
- When operating a power tool outdoors, use an extension cord suitable for outdoor use.** Use of a cord suitable for outdoor use reduces the risk of electric shock.
- If operating a power tool in a damp location is unavoidable, use a residual current device (RCD) protected supply.** Use of an RCD reduces the risk of electric shock.

3) Personal safety

- Stay alert, watch what you are doing and use common sense when operating a power tool. Do not use a power tool while you are tired or under the influence of drugs, alcohol or medication.** A moment of inattention while operating power tools may result in serious personal injury.
- Use personal protective equipment. Always wear eye protection.** Protective equipment such as dust mask, non-skid safety shoes, hard hat, or hearing protection used for appropriate conditions will reduce personal injuries.
- Prevent unintentional starting. Ensure the switch is in the off-position before connecting to power source and/or battery pack, picking up or carrying the tool. Carrying power tools with your finger on the switch or energising power tools that have the switch on invites accidents.**

- d) **Remove any adjusting key or wrench before turning the power tool on.** *A wrench or a key left attached to a rotating part of the power tool may result in personal injury.*
 - e) **Do not overreach. Keep proper footing and balance at all times.** *This enables better control of the power tool in unexpected situations.*
 - f) **Dress properly. Do not wear loose clothing or jewellery. Keep your hair, clothing and gloves away from moving parts.** *Loose clothes, jewellery or long hair can be caught in moving parts.*
 - g) **If devices are provided for the connection of dust extraction and collection facilities, ensure these are connected and properly used.** *Use of dust collection can reduce dust-related hazards.*
- 4) Power tool use and care**
- a) **Do not force the power tool. Use the correct power tool for your application.** *The correct power tool will do the job better and safer at the rate for which it was designed.*
 - b) **Do not use the power tool if the switch does not turn it on and off.** *Any power tool that cannot be controlled with the switch is dangerous and must be repaired.*
 - c) **Disconnect the plug from the power source and/or the battery pack from the power tool before making any adjustments, changing accessories, or storing power tools.** *Such preventive safety measures reduce the risk of starting the power tool accidentally.*
 - d) **Store idle power tools out of the reach of children and do not allow persons unfamiliar with the power tool or these instructions to operate the power tool.** *Power tools are dangerous in the hands of untrained users.*
 - e) **Maintain power tools. Check for misalignment or binding of moving parts, breakage of parts and any other condition that may affect the power tool's operation. If damaged, have the power tool repaired before use.** *Many accidents are caused by poorly maintained power tools.*
 - f) **Keep cutting tools sharp and clean.** *Properly maintained cutting tools with sharp cutting edges are less likely to bind and are easier to control.*
 - g) **Use the power tool, accessories and tool bits etc. in accordance with these instructions, taking into account the working conditions and the work to be**

performed. *Use of the power tool for operations different from those intended could result in a hazardous situation.*

5) Service

- a) **Have your power tool serviced by a qualified repair person using only identical replacement parts.** *This will ensure that the safety of the power tool is maintained.*

Angle grinder safety warnings

Safety Warnings Common for Grinding, Sanding, Wire Brushing or Abrasive Cutting-Off Operations:

- a) **This power tool is intended to function as a grinder, sander, wire brush or cut-off tool. Read all safety warnings, instructions, illustrations and specifications provided with this power tool.** *Failure to follow all instructions listed below may result in electric shock, fire and/or serious injury.*
- b) **This power tool is not recommended for polishing.** *Operations for which the power tool was not designed may create a hazard and cause personal injury.*
- c) **Do not use accessories which are not specifically designed and recommended by the tool manufacturer.** *Just because the accessory can be attached to your power tool, it does not assure safe operation.*
- d) **The rated speed of the accessory must be at least equal to the maximum speed marked on the power tool.** *Accessories running faster than their rated speed can break and fly apart.*
- e) **The outside diameter and the thickness of your accessory must be within the capacity rating of your power tool.** *Incorrectly sized accessories cannot be adequately guarded or controlled.*
- f) **Threaded mounting of accessories must match the grinder spindle thread.** *For accessories mounted by flanges, the arbour hole of the accessory must fit the locating diameter of the flange.* *Accessories that do not match the mounting hardware of the power tool will run out of balance, vibrate excessively and may cause loss of control.*

- g) **Do not use a damaged accessory.** Before each use inspect the accessory such as abrasive wheels for chips and cracks, backing pad for cracks, tear or excess wear, wire brush for loose or cracked wires. If power tool or accessory is dropped, inspect for damage or install an undamaged accessory. After inspecting and installing an accessory, position yourself and bystanders away from the plane of the rotating accessory and run the power tool at maximum no-load speed for one minute. Damaged accessories will normally break apart during this test time.
- h) **Wear personal protective equipment.** Depending on application, use face shield, safety goggles or safety glasses. As appropriate, wear dust mask, hearing protectors, gloves and workshop apron capable of stopping small abrasive or workpiece fragments. The eye protection must be capable of stopping flying debris generated by various operations. The dust mask or respirator must be capable of filtering particles generated by your operation. Prolonged exposure to high intensity noise may cause hearing loss.
- i) **Keep bystanders a safe distance away from work area.** Anyone entering the work area must wear personal protective equipment. Fragments of workpiece or of a broken accessory may fly away and cause injury beyond immediate area of operation.
- j) **Hold the power tool by insulated gripping surfaces only, when performing an operation where the cutting accessory may contact hidden wiring or its own cord.** Cutting accessory contacting a "live" wire may make exposed metal parts of the power tool "live" and could give the operator an electric shock.
- k) **Position the cord clear of the spinning accessory.** If you lose control, the cord may be cut or snagged and your hand or arm may be pulled into the spinning accessory.
- l) **Never lay the power tool down until the accessory has come to a complete stop.** The spinning accessory may grab the surface and pull the power tool out of your control.
- m) **Do not run the power tool while carrying it at your side.** Accidental contact with the spinning accessory could snag your clothing, pulling the accessory into your body.
- n) **Regularly clean the power tool's air vents.** The motor's fan will draw the dust inside the housing and excessive accumulation of powdered metal may cause electrical hazards.
- o) **Do not operate the power tool near flammable materials.** Sparks could ignite these materials.
- p) **Do not use accessories that require liquid coolants.** Using water or other liquid coolants may result in electrocution or shock.
- **The tool must be used only for its prescribed purpose.** Any use other than those mentioned in this Instruction will be considered a case of misuse. The user and not the manufacturer shall be liable for any damage or injury resulting from such cases of misuse.
 - **The manufacturer shall not be liable for any changes made to the tool nor for any damage resulting from such changes.**
 - **When operating in dusty environment, the ventilation slots must be kept clean.** If it should become necessary to clear dust, first disconnect the tool from the mains supply (use non metallic objects to clean the dust) and avoid damaging internal parts. The power tool will overheat under deteriorated cooling due to the clogged with dust ventilation slots.

Further safety instructions for all operations

Kickback and Related Warnings

Kickback is a sudden reaction to a pinched or snagged rotating wheel, backing pad, brush or any other accessory. Pinching or snagging causes rapid stalling of the rotating accessory which in turn causes the uncontrolled power tool to be forced in the direction opposite of the accessory's rotation at the point of the binding.

For example, if an abrasive wheel is snagged or pinched by the workpiece, the edge of the wheel that is entering into the pinch point can dig into the surface of the material causing the wheel to climb out or kick out. The wheel may either jump toward or away from the operator, depending on direction of the wheel's movement at the point of pinching. Abrasive wheels may also break under these conditions.

Kickback is the result of power tool misuse and/or incorrect operating procedures or conditions

and can be avoided by taking proper precautions as given below.

- a) **Maintain a firm grip on the power tool and position your body and arm to allow you to resist kickback forces. Always use auxiliary handle, if provided, for maximum control over kickback or torque reaction during start-up. The operator can control torque reactions or kickback forces, if proper precautions are taken.**
- b) **Never place your hand near the rotating accessory. Accessory may kickback over your hand.**
- c) **Do not position your body in the area where power tool will move if kickback occurs. Kickback will propel the tool in direction opposite to the wheel's movement at the point of snagging.**
- d) **Use special care when working corners, sharp edges etc. Avoid bouncing and snagging the accessory. Corners, sharp edges or bouncing have a tendency to snag the rotating accessory and cause loss of control or kickback.**
- e) **Do not attach a saw chain woodcarving blade or toothed saw blade. Such blades create frequent kickback and loss of control.**
 - **Fix the machined piece in vice or in another appropriate way.**

Safety Warnings Specific for Grinding and Abrasive Cutting-Off Operations:

- a) **Use only wheel types that are recommended for your power tool and the specific guard designed for the selected wheel. Wheels for which the power tool was not designed cannot be adequately guarded and are unsafe.**
- b) **The grinding surface of centre depressed wheels must be mounted below the plane of the guard lip. An improperly mounted wheel that projects through the plane of the guard lip cannot be adequately protected.**
- c) **The guard must be securely attached to the power tool and positioned for maximum safety, so the least amount of wheel is exposed towards the operator. The guard helps to protect the operator from broken wheel fragments, accidental contact with wheel and sparks that could ignite clothing.**
- d) **Wheels must be used only for recommended applications. For example: do**

not grind with the side of cut-off wheel. Abrasive cut-off wheels are intended for peripheral grinding, side forces applied to these wheels may cause them to shatter.

- e) **Always use undamaged wheel flanges that are of correct size and shape for your selected wheel. Proper wheel flanges support the wheel thus reducing the possibility of wheel breakage. Flanges for cut-off wheels may be different from grinding wheel flanges.**
- f) **Do not use worn down wheels from larger power tools. Wheel intended for larger power tool is not suitable for the higher speed of a smaller tool and may burst.**
 - **Always pay attention to the wheel rotation direction. The torque reaction is in the opposite direction of the rotation direction at the point of binding and this is a prerequisite to losing control of the power tool.**
 - **Always guide the machine in such a way that sparks and dust can scatter away from your body. Power tools generate sparks which may burn your clothes or unprotected parts of your body.**
 - **Grinding and cutting-off operations on freshly painted metal structures is not allowed before the paint has become dry. There is a risk of damp paint ignition.**
 - **Cutting of flammable materials (wood, plastics, etc.) and panel structures "sandwich" type with flammable filling is not allowed. There is a risk of fire.**
 - **Grinding and cutting-off operations on equipment operating under pressure is not allowed. There is a risk of explosion.**
 - **Grinding and cutting-off operations of reservoirs, pipelines, equipment, etc., containing at present or having contained flammable or easily ignitable substances or materials is not allowed without first taking special precautions to prevent fire and explosion. There is a risk of fire and explosion.**

Additional Safety Warnings Specific for Abrasive Cutting-Off Operations:

- a) **Do not "jam" the cut-off wheel or apply excessive pressure. Do not attempt to make an excessive depth of cut. Overstressing the wheel increases the loading and susceptibility to twisting or binding of the wheel in the cut and the possibility of kickback or wheel breakage.**
- b) **Do not position your body in line with and behind the rotating wheel. When the**

wheel, at the point of operation, is moving away from your body, the possible kickback may propel the spinning wheel and the power tool directly at you.

- c) **When wheel is binding or when interrupting a cut for any reason, switch off the power tool and hold the power tool motionless until the wheel comes to a complete stop. Never attempt to remove the cut-off wheel from the cut while the wheel is in motion otherwise kickback may occur. Investigate and take corrective action to eliminate the cause of wheel binding.**
- d) **Do not restart the cutting operation in the workpiece. Let the wheel reach full speed and carefully re-enter the cut. The wheel may bind, walk up or kickback if the power tool is restarted in the workpiece.**
- e) **Support panels or any oversized workpiece to minimize the risk of wheel pinching and kickback. Large workpieces tend to sag under their own weight. Supports must be placed under the workpiece near the line of cut and near the edge of the workpiece on both sides of the wheel.**
- f) **Use extra caution when making a “pocket cut” into existing walls or other blind areas. The protruding wheel may cut gas or water pipes, electrical wiring or objects that can cause kickback.**

Safety Warnings Specific for Sanding Operations:

- a) **Do not use excessively oversized sanding disc paper. Follow manufacturer’s recommendations, when selecting sanding paper. Larger sanding paper extending beyond the sanding pad presents a laceration hazard and may cause snagging, tearing of the disc or kickback.**

Safety Warnings Specific for Wire Brushing Operations:

- a) **Be aware that wire bristles are thrown by the brush even during ordinary operation. Do not overstress the wires by applying excessive load to the brush. The wire bristles can easily penetrate light clothing and/or skin.**
- b) **If the use of a guard is recommended for wire brushing, do not allow any interference of the wire wheel or brush with the guard. Wire wheel or brush may expand in diameter due to work load and centrifugal forces.**

Know your product

Before using the power tool, familiarize yourself with all the operating features and safety requirements.

Use the tool and accessories only for the applications intended. All other applications are expressly ruled out.

1. Spindle
- 2.1. Grinding wheel (Use only with a wheel guard for grinding wheel!)*
- 2.2. Cutting wheel (Use only with a wheel guard for cutting wheel!)*
- 3.1. Wheel guard for grinding wheel
- 3.2. Wheel guard for cutting wheel*
4. Support flange
5. Fixing flange
6. Auxiliary handle
7. ON/OFF switch
8. ON/OFF switch locking button
9. Spindle lock button

ACCESSORIES TO BE USED WITH THIS POWER TOOL

10. Wire cup brush*
11. Plastic (rubber) backing pad*
12. Sandpaper*
13. Lock nut*

* The additional accessories shown in the illustrations or described in the text are not included in the delivery.

Operation

These power tools are supplied from single-phase alternating current mains only. They are double insulated according to EN 60745, IEC 60745-1 and can be connected to grounded or not grounded sockets. This power tool is radio suppressed in compliance with EMC Directive. This power tool is designed for cutting, grinding and brushing mainly metals without using water.

PRIOR TO INITIAL OPERATION

- The machine may be delivered with the wheel guard mounted at the factory. Ensure that the wheel guard is mounted properly and fixed reliably prior to the initial and any following operation.
- The machine may be delivered with the wheel mounted at the factory. Ensure that the wheel

is mounted properly and fixed reliably prior to the initial and any following operation.

- Make sure the power supply voltage corresponds to the value indicated on the name plate with technical data of the tool.
- Always check the position of ON/OFF switch. The power tool must be connected and disconnected to the power supply socket only when this switch is in OFF position. If the plug is connected to a receptacle while the power switch is in the ON position, the power tool will start operating immediately, which could cause a serious accident.
- Make sure that the cord and the plug are in order. If the replacement of the supply cord is necessary, this has to be done by the manufacturer or his agent in order to avoid a safety hazard.



WARNING: Always switch off and unplug the power tool prior to any adjustment, servicing or maintenance.

- When using diamond cutting discs, pay attention that the direction-of-rotation arrow on the diamond cutting disc and the direction of rotation of the machine (see direction-of-rotation arrow on the machine head) agree.
- Make sure the grinding wheel diameter and thickness do not exceed the values specified on the name plate. The peripheral speed indicated on the wheel must not be less than 80 m/s. The wheels must be stored according to the recommendations of the manufacturer.
- In case the work area is remote from the power source, use as short as practicable extension cord with proper cross-section.
- Check that the auxiliary handle is properly mounted and reliably tightened.

SWITCHING ON - SWITCHING OFF

The angle grinder is secured against unintentional switching on.

- Switching on: First push forward the auxiliary button 8 positioned at the bottom of the main handle, then press ON/OFF switch 7. For continuous operation switch 7 can be locked (only for models with index P in the abbreviation). In this case while holding switch 7, press button 8 and then release switch 7.
- Switching off: Release switch 7; in case the switch is locked, first press and then release that switch.

In case of mains drop-out (or temporary drop-out for time $t > 0.5$ s), when the ON/OFF switch is in ON position, the machine should not operate after supply recovering. To start operating the machine, first switch off and then switch on the lever of ON/OFF switch 7.

WHEEL GUARD



WARNING: The wheel guard 3.1 for grinding wheel or the wheel guard 3.2 for cutting wheel (for grinding wheel 2.1 or cutting wheel 2.2 accordingly) must always be mounted on the machine!



WARNING: Before performing the following operations, switch off and unplug the machine.

Mounting the wheel guard (Fig. 1)

- Rotate the black plastic ring (Fig. 2a), so that the crevice S of the ring coincides with the groove for the tooth of the fixing lever L.
- Place the wheel guard in non-operating position (Fig.2a) so that the four teeth coincide with the four grooves in the bearing seat (Fig.2b).
- Press the fastening lever L (fig.3) to release it.
- Press the wheel guard down and rotate it in the necessary operating position (Fig.4).
- Release the fastening lever L to a stable position in which the wheel guard is fixed (the fixing lever tooth enters into one of the guard grooves).

Rotating the wheel guard in a new operating position

- Press the fastening lever L (Fig.3) to release it.
- Rotate the wheel guard to the necessary operating position.
- Release the fastening lever L to a stable position in which the wheel guard is fixed (the fixing lever tooth enters into one of the guard grooves).

Removing the wheel guard

- Press the fastening lever L (Fig.3) to release it.
- Rotate the wheel guard in non-operating position (Fig.2a) so that the four teeth coincide with the four grooves in the bearing seat

(Fig.2b).

- Remove the wheel guard.

GRINDING WHEEL REPLACEMENT



WARNING: Before performing the following operations, switch off and unplug the machine.

Secure spindle 1 by pressing the spindle lock button 9 on the gear case.



WARNING: Never press button 9 while the spindle is still rotating!

- With this button depressed rotate the wheel in direction opposite to the arrow marked on the wheel guard 3 until it has profoundly gone deeper. Unscrew fixing flange 5 by a special wrench. Place the new wheel on the support flange 4 with the inscriptions facing up, and screw down flange 5 using the lock nut wrench. Use blotters if the wheel has been delivered with them. If the wheel thickness is less than 6 mm, place the fixing flange 5 with its flat side towards the wheel. If the wheel is thicker than 6 mm, place the fixing flange 5 to the spindle so that the flange step enters the wheel opening. After replacing the wheel, operate the machine with the new wheel in no load mode for one minute. Vibrating or otherwise improperly rotating wheels must be replaced immediately and discarded.
- The cup brush 10 is screwed directly on spindle 1 by means of an open-end wrench. Check if the brush thread length is sufficient to accept the spindle thread.
- Grinding with sandpaper is performed with plastic (rubber) backing pad 11, under which sandpaper 12 is fastened. Place the flexible backing pad 11 onto the support flange 4 and fasten it with the lock nut 13, delivered with the tool. In case the flexible backing pad is equipped with a flange nut, the pad is screwed directly onto the spindle by a wrench without using the fixing flange 5. The pad with flange may be a resin filled sponge, polyurethane foam sponge with plastic insert for the flange with hook-and-loop fastening to the sandpaper. After replacing the wheel, operate the machine with the new backing pad in no load mode for one minute. Vibrating or otherwise

improperly rotating backing pads must be replaced immediately and discarded.

AUXILIARY HANDLE (Fig.5)

Normally auxiliary handle 6 is screwed on the machine left side. It can be screwed also on the machine right side or top if this is more convenient for the operator. The machines are equipped with a third threaded socket for coupling the auxiliary handle. The auxiliary handle for these models is connected to the body of the machine through vibration dampers, protecting the operator and reducing fatigue.

TURNING THE MACHINE CASE

The machine case can be turned to 90°. This way of mounting is implemented when the machine is used mainly for cutting-off operations. In this case turning the machine case must be carried out in an authorized service centre for SPARKY power tools.

RECOMMENDATIONS

When cutting, do not apply pressure, do not oscillate the wheel. Work with moderate feed rate, suited to the material to be machined.

The direction of cutting is very significant. The machine must always be fed against the direction of wheel rotation. Otherwise, danger exists for the wheel to be forced uncontrolled out of the cut. (Fig. 6)

When cutting profiles or rectangular pipes it is best to start with the smallest cross section.

When grinding do not apply pressure to the processed surface by rearing down on the machine but move the wheel regularly backwards and forwards. Special wheels shall be used for processing non-ferrous metals. Best results when roughing can be achieved with the wheel inclined at 30° to 40° to the processed surface (Fig. 7).

Never use cutting wheels for roughing operations. Usage of wheels thicker than 10 mm is not recommended.

Maintenance



WARNING: Always ensure that the tool is switched off and unplugged before attempting to perform inspection or maintenance.

BRUSH REPLACEMENT

This power tool is equipped with auto-stop brushes. When the carbon brushes are worn out, the machine switches itself off. In this case both brushes must be replaced simultaneously with genuine brushes at SPARKY service centre for warranty and post-warranty service.

GENERAL INSPECTION

Regularly inspect all fasteners and ensure they are properly tightened. Should any of the screws be loose, retighten it immediately to avoid hazards.

If the replacement of the supply cord is necessary, this has to be done by the manufacturer or his agent in order to avoid a safety hazard.

CLEANING

For safe operation always keep the machine and its ventilation slots clean.

Regularly check to see if any dust or foreign matter has entered the ventilation slots and the grills around the switches. Use a soft brush and/or air jet to remove any accumulated dust. Wear safety glasses to protect your eyes whilst cleaning.

Exterior plastic parts may be cleaned with a damp cloth and mild detergent if necessary.



WARNING: Never use alcohol, petrol or other cleaning agent. Never use caustic agents to clean plastic parts.



WARNING: Water must never come into contact with the tool.

IMPORTANT! To assure product safety and reliability, repairs, maintenance and adjustment (including brush inspection and replacement) should be performed by certified service centres or other qualified service organisations, always using genuine replacement parts.

Warranty

The guarantee period for SPARKY power tools is determined in the guarantee card.

Faults due to normal wear, overloading or improper handling will be excluded from the guarantee.

Faults due to defective materials implemented as well as defects in workmanship will be corrected free of charge through replacement or repair.

The complaints for defective SPARKY power tools will be recognized if the machine is sent back to the dealer or is presented to the authorised warranty service centre undismantled, in its initial condition.

Notes

Carefully read through these Original Instructions before using this product.

The manufacturer reserves the right to make changes and improvements to the products and to alter specifications without prior notice.

Specifications may differ from country to country.

Inhaltsverzeichnis

Einführung	12
Technische Daten	14
Allgemeine Sicherheitshinweise für Elektrowerkzeuge.....	15
Zusätzliche Anleitungen für Sicherheit bei Arbeiten mit Winkelschleifern	17
Elemente des Elektrowerkzeugs.....	A/20
Betriebshinweise.....	B/21
Wartung	23
Garantie	24

AUSPACKEN

Überprüfen Sie unmittelbar nach dem Auspacken ob sämtliche Bestandteile und das beschriebene Zubehör mitgeliefert wurden. Sollte dies nicht der Fall sein, wenden Sie sich bitte umgehend an Ihren Fachhändler bei dem das Elektrowerkzeug gekauft wurde. Dies trifft auch dann zu, wenn Sie den Eindruck haben mit dem Gerät ist etwas nicht in Ordnung. Eine Nichtbeachtung dieser Empfehlung kann zu schweren Unfällen führen.

ZUSAMMENBAU

Der Winkelschleifer wird verpackt und vollständig montiert, mit Ausnahme des Zusatzhandgriffes und der Schutzhaube, geliefert.

Einführung

Das von Ihnen erworbene Elektrowerkzeug wird Ihre Erwartungen übersteigen. Es ist gemäß den hohen Qualitätsstandards von SPARKY hergestellt, die den strengen Anforderungen des Verbrauchers entsprechen. Einfach in der Bedienung und ungefährlich bei richtiger Handhabung, wird dieses Gerät bei bestimmungsgemäßem Gebrauch Ihnen lange Jahre zuverlässig dienen.

WARNUNG!



Lesen Sie die ganze Originalbetriebsanleitung aufmerksam durch, bevor Sie das neu erworbene SPARKY – Elektrowerkzeug in Betrieb nehmen. Beachten Sie besonders die Texte, die mit dem Wört „Warnung“ beginnen. Ihr SPARKY - Elektrowerkzeug besitzt viele Eigenschaften, die Ihre Arbeit erleichtern werden. Bei der Entwicklung dieses Elektrowerkzeuges ist höchste Aufmerksamkeit der Sicherheit, den Betriebseigenschaften und der Zuverlässigkeit gewidmet worden, die es einfach zur Wartung und Bedienung machen.



Keine elektrischen Geräte zusammen mit dem Hausmüll wegwerfen!

Die Abfälle von elektrischen Erzeugnissen sollen nicht zusammen mit dem Hausmüll gesammelt werden. Für eine umweltgerechte Entsorgung geben Sie Ihren alten / defekten Elektrogeräte bitte in der nächsten kommunalen Sammelstelle ab.

UMWELTSCHUTZ



Angesichts des Umweltschutzes sollen das Elektrowerkzeug, die Zubehörteile und die Verpackung einer geeigneten Wiederverwertung zugeführt werden. Zum sortenreinen Recycling sind die Teile, hergestellt aus Kunststoffen, entsprechend gekennzeichnet.

BEDEUTUNG DER SYMBOLE

Auf dem Typenschild des Elektrowerkzeuges sind spezielle Symbole dargestellt. Sie stellen wichtige Information über das Produkt oder Instruktionen für seine Nutzung dar.



Doppelte Isolierung für zusätzlichen Schutz.



Spindelgewinde: M14



Entspricht den einschlägigen Europäischen Richtlinien.



Entspricht den Anforderungen der Zollunion-Regelungen.



Lesen Sie die Originalbetriebsanleitung.




Tragen Sie immer eine Schutzbrille.

YYYY-Www Zeitabschnitt der Produktion, wobei die variablen Symbole sind:
YYYY - Kalenderjahr der Produktion,
ww - laufende Kalenderwoche.

M, MA, MB, MBA Winkelschleifer.

Technische Daten

Modell	M2000 HD	MA2000 HD	M2200 HD	MA2200 HD	M2400 HD	MA2400 HD	MB2600P HD	MBA2600P HD
	MB2000P HD	MBA2000P HD	MB2200P HD	MBA2200P HD	MB2400P HD	MBA2400P HD		
Aufnahmeleistung	2000 W	2000 W	2200 W	2200 W	2400 W	2400 W	2600 W	2600 W
Bemessungsdrehzahl	8500 min ⁻¹	6600 min ⁻¹	8500 min ⁻¹	6600 min ⁻¹	8500 min ⁻¹	6600 min ⁻¹	8500 min ⁻¹	6600 min ⁻¹
Anschlußgewinde der Spindel	M14	M14	M14	M14	M14	M14	M14	M14
Gewindelänge der Spindel	20 mm	20 mm	20 mm	20 mm	20 mm	20 mm	20 mm	20 mm
Innendurchmesser der Schleifscheibe	22.23	22.23	22.23	22.23	22.23	22.23	22.23	22.23
Max Durchmesser der Schleifscheibe	180 mm	230 mm	180 mm	230 mm	180 mm	230 mm	180 mm	230 mm
Max Stärke der Schleifscheibe	10 mm	10 mm	10 mm	10 mm	10 mm	10 mm	10 mm	10 mm
Gewicht (EPTA)								
Prozedur 01/2014)	5.4 kg	5.6 kg	5.3 kg	5.5 kg	6.0 kg	6.2 kg	6.1 kg	6.3 kg
	5.4 kg	5.6 kg	5.3 kg	5.5 kg	6.0 kg	6.2 kg		
Schutzklasse (EN 60745-1)		II	II	II	II	II	II	II

GERÄUSCH-/VIBRATIONSINFORMATION

Messwerte ermittelt entsprechend EN 60745.

Geräuschemissionswerte

Der A-bewertete

Schalldruckpegel L_{pA} 91 dB(A) 91 dB(A) 92 dB(A) 92 dB(A) 92 dB(A) 92 dB(A) 92 dB(A) 92 dB(A)

Messunsicherheit K_{pA} 3.0 dB 3.0 dB 3.0 dB 3.0 dB 3.0 dB 3.0 dB 3.0 dB 3.0 dB

Der A-bewertete Schalleistung-

spegel L_{WA} 102 dB(A) 102 dB(A) 103 dB(A) 103 dB(A) 103 dB(A) 103 dB(A) 103 dB(A) 103 dB(A)

Messun-

sicherheit K_{WA} 3.0 dB 3.0 dB 3.0 dB 3.0 dB 3.0 dB 3.0 dB 3.0 dB 3.0 dB

Gehörschutz tragen!

Schwingungsemissionswerte *

Schwingungsgesamtwerte (Vektorsumme dreier Richtungen) ermittelt entsprechend EN 60745:

Schleifen von Oberflächen:

Schwingungse-

missionswert a_{hAG} 5.1 m/s² 5.1 m/s² 5.0 m/s² 5.0 m/s² 4.9 m/s² 4.9 m/s² 5.0 m/s² 5.0 m/s²

Messun-

sicherheit K_{AG} 1.5 m/s² 1.5 m/s² 1.5 m/s² 1.5 m/s² 1.5 m/s² 1.5 m/s² 1.5 m/s² 1.5 m/s²

Schleifen mit Schleifleinen

Schwingungse-

missionswert a_{hDS} 5.4 m/s² 5.4 m/s² 5.4 m/s² 5.4 m/s² 5.4 m/s² 5.4 m/s² 5.4 m/s² 5.4 m/s²

Messun-

sicherheit K_{DS} 2.0 m/s² 2.0 m/s² 1.5 m/s² 1.5 m/s² 1.5 m/s² 1.5 m/s² 2.0 m/s² 2.0 m/s²

* Messwerte ermittelt nach 6.2.7 EN 60745.

Der in diesen Anweisungen angegebene Schwingungspegel ist entsprechend einem in EN 60745 genormten Messverfahren gemessen worden und kann für den Vergleich von Elektrowerkzeugen miteinander verwendet werden. Er eignet sich auch für eine vorläufige Einschätzung der Schwingungsbelastung.

Der angegebene Schwingungspegel repräsentiert die hauptsächlichen Anwendungen des Elektrowerkzeugs. Wenn allerdings das Elektrowerkzeug für andere Anwendungen, mit abweichenden Einsatzwerkzeugen oder ungenügender Wartung eingesetzt wird, kann der Schwingungspegel abweichen. Dies kann die Schwingungsbelastung über den gesamten Arbeitszeitraum deutlich erhöhen.

Für eine genaue Abschätzung der Schwingungsbelastung sollten auch die Zeiten berücksichtigt werden, in denen das Gerät abgeschaltet ist oder zwar läuft, aber nicht tatsächlich im Einsatz ist. Dies kann die Schwingungsbelastung über den gesamten Arbeitszeitraum deutlich reduzieren.

Pflegen Sie das Gerät und die Einsatzwerkzeuge mit Sorgfalt. Halten Sie Ihre Hände warm während der Arbeit - dies wird die schädliche Einwirkung erhöhter Schwingungen reduzieren.

Bei anderen Arbeiten, z.B. Schleifen mit Abrasivscheiben oder Reinigung mit Drahtbürste können die Schwingungsemissionen auch andere Werte haben.

Stäube von Materialien wie bleihaltigem Anstrich, einigen Holzarten, Mineralien und Metall können gesundheitsschädlich sein. Berühren oder Einatmen der Stäube können allergische Reaktionen und/oder Atemwegserkrankungen des Benutzers oder in der Nähe befindlicher Personen hervorrufen.

Bestimmte Stäube wie Eichen- oder Buchenstaub gelten als krebserzeugend, besonders in Verbindung mit Zusatzstoffen zur Holzbehandlung (Chromat, Holzschutzmittel). Asbesthaltiges Material darf nur von Fachleuten bearbeitet werden.

- Benutzen Sie möglichst eine Staubabsaugung.
- Sorgen Sie für gute Belüftung des Arbeitsplatzes.
- Es wird empfohlen, eine Atemschutzmaske mit Filterklasse P2 zu tragen.

Beachten Sie in Ihrem Land gültige Vorschriften für die zu bearbeitenden Materialien.

Alle Modelle mit dem Symbol A zeigen bei der Typenbezeichnung den maximalen Durchmesser des Arbeitswerkzeuges Ø230mm. Wenn dieses Symbol fehlt ist der maximale Durchmesser des Arbeitswerkzeuges Ø180mm.

Alle Modelle mit dem Index B haben eine eingebaute Vorrichtung, die eine konstante Drehung der Scheibe bei starker Belastung sowie eine Begrenzung des Anlaufstroms bis zu 16 A gewährleistet.

Alle Modelle mit dem Index P in der Typenbezeichnung besitzen einen Schutz gegen Selbsteinschaltung nach einem kurzen Stromausfall oder nach dem Ausschalten für länger als 0,5 s. in diesem Fall bleibt das Elektrowerkzeug abgeschaltet und kann erneut nur nach Ausschalten und Neueinschalten des Anlassschalters in Betrieb genommen werden. Wenn dieser Index fehlt hat der Anlaßschalter keine Verriegelung im Einschaltzustand. (Die Funktion dieses Schutzes wird in dem Abschnitt "Betriebsanleitungen" beschrieben).

Allgemeine Sicherheitshinweise für Elektrowerkzeuge



WARNUNG: Lesen Sie alle Sicherheitshinweise und Anweisungen. Versäumnisse bei der Einhaltung der Sicherheitshinweise und Anweisungen können elektrischen Schlag, Brand und/oder schwere Verletzungen verursachen.

Bewahren Sie alle Sicherheitshinweise und Anweisungen für die Zukunft auf.

Der in den Sicherheitshinweisen verwendete Begriff „Elektrowerkzeug“ bezieht sich auf netzbetriebene Elektrowerkzeuge (mit Netzkabel) und auf akkubetriebene Elektrowerkzeuge (ohne Netzkabel).

1) Arbeitsplatzsicherheit

- a) **Halten Sie Ihren Arbeitsbereich sauber und gut beleuchtet.** Unordnung oder unbeleuchtete Arbeitsbereiche können zu Unfällen führen.
- b) **Arbeiten Sie mit dem Elektrowerkzeug nicht in explosionsgefährdeter Umgebung, in der sich brennbare Flüssigkeiten,**

Gase oder Stäube befinden. Elektrowerkzeuge erzeugen Funken, die den Staub oder die Dämpfe entzünden können.

- c) **Halten Sie Kinder und andere Personen während der Benutzung des Elektrowerkzeugs fern.** Bei Ablenkung können Sie die Kontrolle über das Gerät verlieren.

2) Elektrische Sicherheit

- a) **Der Anschlussstecker des Elektrowerkzeuges muss in die Steckdose passen. Der Stecker darf in keiner Weise verändert werden. Verwenden Sie keine Adapterstecker gemeinsam mit geschützten Elektrowerkzeugen.** Unveränderte Stecker und passende Steckdosen verringern das Risiko eines elektrischen Schlages.
- b) **Vermeiden Sie Körperkontakt mit geerdeten Oberflächen wie von Rohren, Heizungen, Herden und Kühlschränken.** Es besteht ein erhöhtes Risiko durch elektrischen Schlag, wenn Ihr Körper geerdet ist.
- c) **Halten Sie Elektrowerkzeuge von Regen oder Nässe fern.** Das Eindringen von Wasser in ein Elektrowerkzeug erhöht das Risiko eines elektrischen Schlages.
- d) **Zweckentfremden Sie das Kabel nicht, um das Elektrowerkzeug zu tragen, auf-**

zuhängen oder um den Stecker aus der Steckdose zu ziehen. Halten Sie das Kabel fern von Hitze, Öl, scharfen Kanten oder sich bewegenden Geräteteilen. Beschädigte oder verwickelte Kabel erhöhen das Risiko eines elektrischen Schlages.

- e) **Wenn Sie mit einem Elektrowerkzeug im Freien arbeiten, verwenden Sie nur Verlängerungskabel, die auch für den Außenbereich geeignet sind. Die Anwendung eines für den Außenbereich geeigneten Verlängerungskabels verringert das Risiko eines elektrischen Schlages.**
 - f) **Wenn der Betrieb des Elektrowerkzeuges in feuchter Umgebung nicht vermeidbar ist, verwenden Sie einen Fehlerstromschutzschalter. Der Einsatz eines Fehlerstromschutzschalters vermindert das Risiko eines elektrischen Schlages.**
- 3) Sicherheit von Personen**
- a) **Seien Sie aufmerksam, achten Sie darauf, was Sie tun, und gehen Sie mit Vernunft an die Arbeit mit einem Elektrowerkzeug. Benutzen Sie kein Elektrowerkzeug, wenn Sie müde sind oder unter dem Einfluss von Drogen, Alkohol oder Medikamenten stehen. Ein Moment der Unachtsamkeit beim Gebrauch des Elektrowerkzeuges kann zu ernsthaften Verletzungen führen.**
 - b) **Tragen Sie persönliche Schutzausrüstung und immer eine Schutzbrille. Das Tragen persönlicher Schutzausrüstung, wie Staubmaske, rutschfeste Sicherheitsschuhe, Schutzhelm oder Gehörschutz, je nach Art und Einsatz des Elektrowerkzeuges, verringert das Risiko von Verletzungen.**
 - c) **Vermeiden Sie eine unbeabsichtigte Inbetriebnahme. Vergewissern Sie sich, dass das Elektrowerkzeug ausgeschaltet ist, bevor Sie es an die Stromversorgung und/oder den Akku anschließen, es aufnehmen oder tragen. Wenn Sie beim Tragen des Elektrowerkzeuges den Finger am Schalter haben oder das Gerät eingeschaltet an die Stromversorgung anschließen, kann dies zu Unfällen führen.**
 - d) **Entfernen Sie Einstellwerkzeuge oder Schraubenschlüssel, bevor Sie das Elektrowerkzeug einschalten. Ein Werkzeug oder Schlüssel, der sich in einem drehenden Geräteteil befindet, kann zu Verletzungen führen.**
 - e) **Vermeiden Sie eine abnormale Körperhaltung. Sorgen Sie für einen sicheren**

Stand und halten Sie jederzeit das Gleichgewicht. Dadurch können Sie das Elektrowerkzeug in unerwarteten Situationen besser kontrollieren.

- f) **Tragen Sie geeignete Kleidung. Tragen Sie keine weite Kleidung oder Schmuck. Halten Sie Haare, Kleidung und Handschuhe fern von sich bewegenden Teilen. Lockere Kleidung, Schmuck oder lange Haare können von sich bewegenden Teilen erfasst werden.**
 - g) **Wenn Staubabsaug- und -auffangeinrichtungen montiert werden können, vergewissern Sie sich, dass diese angeschlossen sind und richtig verwendet werden. Verwendung einer Staubabsaugung kann Gefährdungen durch Staub verringern.**
- 4) Verwendung und Behandlung des Elektrowerkzeuges**
- a) **Überlasten Sie das Gerät nicht. Verwenden Sie für Ihre Arbeit das dafür bestimmte Elektrowerkzeug. Mit dem passenden Elektrowerkzeug arbeiten Sie besser und sicherer im angegebenen Leistungsbereich.**
 - b) **Benutzen Sie kein Elektrowerkzeug, dessen Schalter defekt ist. Ein Elektrowerkzeug, das sich nicht mehr ein- oder ausschalten lässt, ist gefährlich und muss repariert werden.**
 - c) **Ziehen Sie den Stecker aus der Steckdose und/oder entfernen Sie den Akku, bevor Sie Geräteeinstellungen vornehmen, Zubehörteile wechseln oder das Gerät weglegen. Diese Vorsichtsmaßnahme verhindert den unbeabsichtigten Start des Elektrowerkzeuges.**
 - d) **Bewahren Sie unbenutzte Elektrowerkzeuge außerhalb der Reichweite von Kindern auf. Lassen Sie Personen das Gerät nicht benutzen, die mit diesem nicht vertraut sind oder diese Anweisungen nicht gelesen haben. Elektrowerkzeuge sind gefährlich, wenn Sie von unerfahrenen Personen benutzt werden.**
 - e) **Pflegen Sie Elektrowerkzeuge mit Sorgfalt. Kontrollieren Sie, ob bewegliche Teile einwandfrei funktionieren und nicht klemmen, ob Teile gebrochen oder so beschädigt sind, dass die Funktion des Elektrowerkzeuges beeinträchtigt ist. Lassen Sie beschädigte Teile vor dem Einsatz des Gerätes reparieren. Viele Unfälle haben ihre Ursache in schlecht gewarteten Elektrowerkzeugen.**

- f) **Halten Sie Schneidwerkzeuge scharf und sauber.** *Sorgfältig gepflegte Schneidwerkzeuge mit scharfen Schneidkanten verklemmen sich weniger und sind leichter zu führen.*
- g) **Verwenden Sie Elektrowerkzeug, Zubehör, Einsatzwerkzeuge usw. entsprechend diesen Anweisungen.** *Berücksichtigen Sie dabei die Arbeitsbedingungen und die auszuführende Tätigkeit. Der Gebrauch von Elektrowerkzeugen für andere als die vorgesehenen Anwendungen kann zu gefährlichen Situationen führen.*

5) Service

- a) **Lassen Sie Ihr Elektrowerkzeug nur von qualifiziertem Fachpersonal und nur mit Original-Ersatzteilen reparieren.** *Damit wird sichergestellt, dass die Sicherheit des Elektrowerkzeuges erhalten bleibt.*

Zusätzliche Anleitungen für Sicherheit bei Arbeiten mit Winkelschleifern

Gemeinsame Sicherheitshinweise zum Schleifen, Sandpapierschleifen, Arbeiten mit Drahtbürsten und Trennschleifen:

- a) **Dieses Elektrowerkzeug ist zu verwenden als Schleifer, Sandpapierschleifer, Drahtbürste und Trennschleifmaschine.** *Beachten Sie alle Sicherheitshinweise, Anweisungen, Darstellungen und Daten, die Sie mit dem Gerät erhalten. Wenn Sie die folgenden Anweisungen nicht beachten, kann es zu elektrischem Schlag, Feuer und/oder schweren Verletzungen kommen.*
- b) **Dieses Elektrowerkzeug ist nicht geeignet zum Polieren.** *Verwendungen, für die das Elektrowerkzeug nicht vorgesehen ist, können Gefährdungen und Verletzungen verursachen.*
- c) **Verwenden Sie kein Zubehör, das vom Hersteller nicht speziell für dieses Elektrowerkzeug vorgesehen und empfohlen wurde.** *Nur weil Sie das Zubehör an Ihrem Elektrowerkzeug befestigen können, garantiert das keine sichere Verwendung.*
- d) **Die zulässige Drehzahl des Einsatzwerkzeugs muss mindestens so hoch sein wie die auf dem Elektrowerkzeug**

angegebene Höchstdrehzahl. *Zubehör, das sich schneller als zulässig dreht, kann zerbrechen und umherfliegen.*

- e) **Außendurchmesser und Dicke des Einsatzwerkzeugs müssen den Maßangaben Ihres Elektrowerkzeugs entsprechen.** *Falsch bemessene Einsatzwerkzeuge können nicht ausreichend abgeschirmt oder kontrolliert werden.*
- f) **Einsatzwerkzeuge mit Gewindeinsatz müssen genau auf das Gewinde der Schleifspindel passen.** *Bei Einsatzwerkzeugen, die mittels Flansch montiert werden, muss der Lochdurchmesser des Einsatzwerkzeuges zum Aufnahmedurchmesser des Flansches passen.* *Einsatzwerkzeuge, die nicht genau am Elektrowerkzeug befestigt werden, drehen sich ungleichmäßig, vibrieren sehr stark und können zum Verlust der Kontrolle führen.*
- g) **Verwenden Sie keine beschädigten Einsatzwerkzeuge.** *Kontrollieren Sie vor jeder Verwendung Einsatzwerkzeuge wie Schleifscheiben auf Absplitterungen und Risse, Schleifteller auf Risse, Verschleiß oder starke Abnutzung, Drahtbürsten auf lose oder gebrochene Drähte. Wenn das Elektrowerkzeug oder das Einsatzwerkzeug herunterfällt, überprüfen Sie, ob es beschädigt ist, oder verwenden Sie ein unbeschädigtes Einsatzwerkzeug. Wenn Sie das Einsatzwerkzeug kontrolliert und eingesetzt haben, halten Sie und in der Nähe befindliche Personen sich außerhalb der Ebene des rotierenden Einsatzwerkzeugs auf und lassen Sie das Gerät eine Minute lang mit Höchstdrehzahl laufen. Beschädigte Einsatzwerkzeuge brechen meist in dieser Testzeit.*
- h) **Tragen Sie persönliche Schutzausrüstung.** *Verwenden Sie je nach Anwendung Vollgesichtsschutz, Augenschutz oder Schutzbrille. Soweit angemessen, tragen Sie Staubmaske, Gehörschutz, Schutzhandschuhe oder Spezialschürze, die kleine Schleif- und Materialpartikel von Ihnen fernhält. Die Augen sollen vor herumfliegenden Fremdkörpern geschützt werden, die bei verschiedenen Anwendungen entstehen. Staub- oder Atemschutzmaske müssen den bei der Anwendung entstehenden Staub filtern. Wenn Sie lange lautem Lärm ausgesetzt sind, können Sie einen Hörverlust erleiden.*

- i) **Achten Sie bei anderen Personen auf sicheren Abstand zu Ihrem Arbeitsbereich.** Jeder, der den Arbeitsbereich betritt, muss persönliche Schutzausrüstung tragen. Bruchstücke des Werkstücks oder gebrochener Einsatzwerkzeuge können wegfiegen und Verletzungen auch außerhalb des direkten Arbeitsbereichs verursachen.
- j) **Halten Sie das Gerät nur an den isolierten Griffflächen, wenn Sie Arbeiten ausführen, bei denen das Einsatzwerkzeug verborgene Stromleitungen oder das eigene Netzkabel treffen kann.** Der Kontakt mit einer spannungsführenden Leitung kann auch metallene Geräteteile unter Spannung setzen und zu einem elektrischen Schlag führen.
- k) **Halten Sie das Netzkabel von sich drehenden Einsatzwerkzeugen fern.** Wenn Sie die Kontrolle über das Gerät verlieren, kann das Netzkabel durchtrennt oder erfasst werden und Ihre Hand oder Ihr Arm in das sich drehende Einsatzwerkzeug geraten.
- l) **Legen Sie das Elektrowerkzeug niemals ab, bevor das Einsatzwerkzeug völlig zum Stillstand gekommen ist.** Das sich drehende Einsatzwerkzeug kann in Kontakt mit der Ablagefläche geraten, wodurch Sie die Kontrolle über das Elektrowerkzeug verlieren können.
- m) **Lassen Sie das Elektrowerkzeug nicht laufen, während Sie es tragen.** Ihre Kleidung kann durch zufälligen Kontakt mit dem sich drehenden Einsatzwerkzeug erfasst werden und das Einsatzwerkzeug sich in Ihren Körper bohren.
- n) **Reinigen Sie regelmäßig die Lüftungsschlitze Ihres Elektrowerkzeugs.** Das Motorgebläse zieht Staub in das Gehäuse, und eine starke Ansammlung von Metallstaub kann elektrische Gefahren verursachen.
- o) **Verwenden Sie das Elektrowerkzeug nicht in der Nähe brennbarer Materialien.** Funken können diese Materialien entzünden.
- p) **Verwenden Sie keine Einsatzwerkzeuge, die flüssige Kühlmittel erfordern.** Die Verwendung von Wasser oder anderen flüssigen Kühlmitteln kann zu einem elektrischen Schlag führen.
 - Das Elektrowerkzeug darf nur zu dem angegebenen Verwendungszweck gebraucht werden. Jegliche andere Ver-

wendung, anders als in diesen Anleitungen beschrieben wird als nicht richtige Verwendung betrachtet. Die Verantwortung für jegliche Verletzung in Folge einer unrichtigen Verwendung wird vom Betreiber getragen und nicht vom Hersteller.

- **Der Hersteller trägt keine Verantwortung für die durch den Betreiber vorgenommenen Änderungen an dem Elektrowerkzeug oder für Beschädigungen, verursacht durch diese Änderungen.**
- **Bei Arbeit in einer staubigen Umgebung müssen die Ventilationsöffnungen der Maschine rein gehalten werden.** Wenn diese vom Staub zu reinigen sind, schalten Sie zuerst die Stromversorgung ab und nutzen Sie keine Metallgegenstände für die Staubreinigung, wobei Sie darauf achten sollten die Innenbauteile der Maschine nicht zu beschädigen. Das Elektrowerkzeug wird überhitzt wenn die Kühlung durch verstaubte Ventilationsöffnungen reduziert wird.

Weitere Sicherheitshinweise für alle Anwendungen

Rückschlag und entsprechende Sicherheitshinweise

Rückschlag ist die plötzliche Reaktion infolge eines hakenden oder blockierten drehenden Einsatzwerkzeugs, wie Schleifscheibe, Schleifteller, Drahtbürste usw. Verhaken oder Blockieren führt zu einem abrupten Stopp des rotierenden Einsatzwerkzeugs. Dadurch wird ein unkontrolliertes Elektrowerkzeug gegen die Drehrichtung des Einsatzwerkzeugs an der Blockierstelle beschleunigt.

Wenn z. B. eine Schleifscheibe im Werkstück hakt oder blockiert, kann sich die Kante der Schleifscheibe, die in das Werkstück eintaucht, verfangen und dadurch die Schleifscheibe ausbrechen oder einen Rückschlag verursachen. Die Schleifscheibe bewegt sich dann auf die Bedienperson zu oder von ihr weg, je nach Drehrichtung der Scheibe an der Blockierstelle. Hierbei können Schleifscheiben auch brechen. Ein Rückschlag ist die Folge eines falschen oder fehlerhaften Gebrauchs des Elektrowerkzeugs. Er kann durch geeignete Vorsichtsmaßnahmen, wie nachfolgend beschrieben, verhindert werden.

- a) **Halten Sie das Elektrowerkzeug gut fest und bringen Sie Ihren Körper und Ihre Arme in eine Position, in der Sie die Rückschlagkräfte abfangen können.**

Verwenden Sie immer den Zusatzgriff, falls vorhanden, um die größtmögliche Kontrolle über Rückschlagkräfte oder Reaktionsmomente beim Hochlauf zu haben. Die Bedienperson kann durch geeignete Vorsichtsmaßnahmen die Rückschlag- und Reaktionskräfte beherrschen.

- b) **Bringen Sie Ihre Hand nie in die Nähe sich drehender Einsatzwerkzeuge.** Das Einsatzwerkzeug kann sich beim Rückschlag über Ihre Hand bewegen.
- c) **Meiden Sie mit Ihrem Körper den Bereich, in den das Elektrowerkzeug bei einem Rückschlag bewegt wird.** Der Rückschlag treibt das Elektrowerkzeug in die Richtung entgegengesetzt zur Bewegung der Schleifscheibe an der Blockierstelle.
- d) **Arbeiten Sie besonders vorsichtig im Bereich von Ecken, scharfen Kanten usw.** Verhindern Sie, dass Einsatzwerkzeuge vom Werkstück zurückprallen und verklemmen. Das rotierende Einsatzwerkzeug neigt bei Ecken, scharfen Kanten oder wenn es abprallt dazu, sich zu verklemmen. Dies verursacht einen Kontrollverlust oder Rückschlag.
- e) **Verwenden Sie kein Ketten- oder gezähntes Sägeblatt.** Solche Einsatzwerkzeuge verursachen häufig einen Rückschlag oder den Verlust der Kontrolle über das Elektrowerkzeug.
 - Das zu bearbeitende Werkstück festspannen oder entsprechend sichern.

Besondere Sicherheitshinweise zum Schleifen und Trennschleifen:

- a) **Verwenden Sie ausschließlich die für Ihr Elektrowerkzeug zugelassenen Schleifkörper und die für diese Schleifkörper vorgesehene Schutzhaube.** Schleifkörper, die nicht für das Elektrowerkzeug vorgesehen sind, können nicht ausreichend abgeschirmt werden und sind unsicher.
- b) **Gekrüpfte Schleifscheiben müssen so montiert werden, dass ihre Schleiffläche nicht über der Ebene des Schutzhaubenrandes hervorsteht.** Eine unsachgemäß montierte Schleifscheibe, die über die Ebene des Schutzhaubenrandes hinausragt, kann nicht ausreichend abgeschirmt werden.
- c) **Die Schutzhaube muss sicher am Elektrowerkzeug angebracht und so eingestellt sein, dass ein Höchstmaß an Sicherheit erreicht wird, d. h. der kleinstmögliche Teil des Schleifkörpers zeigt**

offen zur Bedienperson. Die Schutzhaube soll die Bedienperson vor Bruchstücken, vor zufälligem Kontakt mit dem Schleifkörper und vor Funken, die seine Bekleidung anzünden könnten, schützen.

- d) **Schleifkörper dürfen nur für die empfohlenen Einsatzmöglichkeiten verwendet werden.** Zum Beispiel: Schleifen Sie nie mit der Seitenfläche einer Trennscheibe. Trennscheiben sind zum Materialabtrag mit der Kante der Scheibe bestimmt. Seitliche Krafteinwirkung auf diese Schleifkörper kann sie zerbrechen.
- e) **Verwenden Sie immer unbeschädigte Spannflansche in der richtigen Größe und Form für die von Ihnen gewählte Schleifscheibe.** Geeignete Flansche stützen die Schleifscheibe und verringern so die Gefahr eines Schleifscheibenbruchs. Flansche für Trennscheiben können sich von den Flanschen für andere Schleifscheiben unterscheiden.
- f) **Verwenden Sie keine abgenutzten Schleifscheiben von größeren Elektrowerkzeugen.** Schleifscheiben für größere Elektrowerkzeuge sind nicht für die höheren Drehzahlen von kleineren Elektrowerkzeugen ausgelegt und können brechen.
 - **Beachten Sie immer die Drehrichtung der Scheibe.**
 - **Halten Sie die Maschine immer so, daß die Funken und der Staub durch das Schleifen am Körper vorbeifliegen.** Die Arbeit mit dem Winkelschleifer erzeugt Funken welche die Kleidung oder nicht geschützte Teile des Körpers verbrennen können.
 - **Das Schleifen und Schneiden von frisch gestrichenen Metallteilen ist nicht zulässig bevor die Farbe vollständig getrocknet ist.** Es besteht die Gefahr, dass sich die nicht trockene Farbe entzündet.
 - **Das Schneiden in brennbare Materialien (Holz, Kunststoff u.a.) sowie Plattenkonstruktionen Type "Sandwich" mit brennbarer Füllung ist ebenfalls nicht zulässig.** Es besteht Feuergefahr.
 - **Nicht zulässig ist das Schleifen und das Schneiden von Ausrüstungen, die unter Druck stehen bzw. arbeiten.** Es besteht Explosionsgefahr.
 - **Nicht zugelassen ist das Schleifen und das Schneiden von Behältern, Rohrleitungen, Geräten u. a. , die gefüllt sind oder gefüllt wurden mit brennbaren oder leicht entzündlichen Stoffen oder**

Materialien, ohne das zuvor Maßnahmen gegen Feuer oder eine Explosion getroffen wurden. *Es besteht Feuer oder Explosionsgefahr.*

Weitere besondere Sicherheitshinweise zum Trennschleifen:

- a) **Vermeiden Sie ein Blockieren der Trennscheibe oder zu hohen Anpressdruck. Führen Sie keine übermäßig tiefen Schnitte aus.** *Eine Überlastung der Trennscheibe erhöht deren Beanspruchung und die Anfälligkeit zum Verkanten oder Blockieren und damit die Möglichkeit eines Rückschlags oder Schleifkörperbruchs.*
- b) **Meiden Sie den Bereich vor und hinter der rotierenden Trennscheibe.** *Wenn Sie die Trennscheibe im Werkstück von sich wegbewegen, kann im Falle eines Rückschlags das Elektrowerkzeug mit der sich drehenden Scheibe direkt auf Sie zugeschleudert werden.*
- c) **Falls die Trennscheibe verklemmt oder Sie die Arbeit unterbrechen, schalten Sie das Gerät aus und halten Sie es ruhig, bis die Scheibe zum Stillstand gekommen ist. Versuchen Sie nie, die noch laufende Trennscheibe aus dem Schnitt zu ziehen, sonst kann ein Rückschlag erfolgen.** *Ermitteln und beheben Sie die Ursache für das Verklemmen.*
- d) **Schalten Sie das Elektrowerkzeug nicht wieder ein, solange es sich im Werkstück befindet. Lassen Sie die Trennscheibe erst ihre volle Drehzahl erreichen, bevor Sie den Schnitt vorsichtig fortsetzen.** *Anderenfalls kann die Scheibe verhaken, aus dem Werkstück springen oder einen Rückschlag verursachen.*
- e) **Stützen Sie Platten oder große Werkstücke ab, um das Risiko eines Rückschlags durch eine eingeklemmte Trennscheibe zu vermindern.** *Große Werkstücke können sich unter ihrem eigenen Gewicht durchbiegen. Das Werkstück muss auf beiden Seiten der Scheibe abgestützt werden, und zwar sowohl in der Nähe des Trennschnitts als auch an der Kante.*
- f) **Seien Sie besonders vorsichtig bei „Taschenschnitten“ in bestehende Wände oder andere nicht einsehbare Bereiche.** *Die eintauchende Trennscheibe kann beim Schneiden in Gas- oder Wasserleitungen, elektrische Leitungen oder andere Objekte einen Rückschlag verursachen.*

Besondere Sicherheitshinweise zum Sandpapierschleifen:

- a) **Benutzen Sie keine überdimensionierten Schleifblätter, sondern befolgen Sie die Herstellerangaben zur Schleifblattgröße.** *Schleifblätter, die über den Schleifteller hinausragen, können Verletzungen verursachen sowie zum Blockieren, Zerreißen der Schleifblätter oder zum Rückschlag führen.*

Besondere Sicherheitshinweise zum Arbeiten mit Drahtbürsten:

- a) **Beachten Sie, dass die Drahtbürste auch während des üblichen Gebrauchs Drahtstücke verliert. Überlasten Sie die Drähte nicht durch zu hohen Anpressdruck.** *Wegfliegende Drahtstücke können sehr leicht durch dünne Kleidung und/oder die Haut dringen.*
- b) **Wird eine Schutzhaube empfohlen, verhindern Sie, dass sich Schutzhaube und Drahtbürste berühren können.** *Teller- und Topfbürsten können durch Anpressdruck und Zentrifugalkräfte ihren Durchmesser vergrößern.*

Elemente des Elektrowerkzeugs

Bevor Sie die Arbeit mit dem Werkzeug beginnen machen Sie sich mit allen Operationsbesonderheiten und Sicherheitsbedingungen vertraut. Verwenden Sie das Werkzeug und sein Zubehör nur nach seinem Verwendungszweck. Jegliche andere Verwendung ist verboten.

1. Spindel
 - 2.1. Trennscheibe (Benutzen Sie immer mit der Schutzhaube für Trennscheibe!)*
 - 2.2. Schruppscheibe (Benutzen Sie immer mit der Schutzhaube für Schruppscheibe!)*
 - 3.1. Schutzhaube für Trennscheibe
 - 3.2. Schutzhaube für Schruppscheibe*
4. Anschlagscheibe
5. Flansch
6. Zusätzlicher Handgriff
7. Schalter
8. Taste zur Verriegelung des Schalters
9. Druckknopf zur Verriegelung der Spindel

ZUBEHÖR, WELCHES MIT DIESEM WERKZEUG VERWENDET WERDEN KANN

10. Stahlbürste*
11. Kunststoff- (Gummi-) Scheibe*
12. Schleifleinenblatt*
13. Sondermutter*

* Die abgebildeten oder in der Betriebsanleitung beschriebenen zusätzlichen Zubehörteile sind nicht im Lieferumfang.

Betriebshinweise

Dieses Elektrowerkzeug wird nur mit einphasiger Wechselspannung versorgt. Man kann es an Kontaktsteckdosen ohne Schutzklemmen anschließen. Es ist nach EN 60745 und IEC 60745-1 doppelt isoliert. Die Funkstörungen entsprechen der EMV-Richtlinie zur Elektromagnetischen Verträglichkeit.

Dieses Elektrowerkzeug ist bestimmt zum trockenen Schneiden, Schleifen und Bürsten, vorwiegend von Metallwerkstücken

VOR DEM BEGINN DER ARBEIT

- Das Gerät kann mit fabrikmäßig montierter Schutzhaube sein. Versichern Sie sich vor dem ersten und jedem weiteren Gebrauch, dass die Schutzhaube richtig montiert und zuverlässig fixiert ist.
- Das Gerät kann mit fabrikmäßig montierter Schrupp- oder Trennscheibe sein. Versichern Sie sich vor dem ersten und jedem weiteren Gebrauch, dass die Scheibe richtig montiert und zuverlässig festgezogen ist.
- Überprüfen Sie ob die Spannung des Versorgungsnetzes der auf dem Typenschild mit den technischen Daten des Elektrowerkzeuges angegebenen Spannung entspricht.
- Überprüfen Sie in welcher Stellung der sich Schalter befindet. Das Gerät darf nur mit ausgeschaltet ans Netz angeschlossen und vom Netz getrennt werden. Falls Sie den Netzstecker in die Steckdose stecken wenn das Gerät eingeschaltet ist wird es sofort beginnen anzulaufen was die Voraussetzung für einen schweren Unfall sein kann.
- Überzeugen Sie sich vom ordnungsgemäßen Zustand des Versorgungskabels und des Steckers. Falls das Versorgungskabel beschädigt ist, darf es nur vom Hersteller oder einem autorisierten Servicefachmann ausgetauscht

werden um eventuelle Austauschrisiken zu vermeiden.



WARNUNG! Schalten Sie das Elektrowerkzeug vor jeglichen Einstellungs-, Wartungs- und Reparaturarbeiten aus und trennen Sie es vom Netz. Das gleiche gilt bei Stromausfall (Gefahr des unbeabsichtigten Wiederanlaufens).

- Achten Sie bei der Verwendung von Diamant-Trennscheiben darauf, dass der Drehrichtungspfeil auf der Diamant-Trennscheibe und die Drehrichtung des Elektrowerkzeuges (siehe Drehrichtungspfeil auf dem Getriebekopf) übereinstimmen.
- Überprüfen Sie ob der Durchmesser und die Dicke der Scheibe die Sie verwenden wollen nicht größer sind als in den technischen Daten für das Gerät angegebenen. Die auf der Scheibe angegebene periphere Geschwindigkeit darf mindestens 80 m/s betragen. Bewahren Sie die Scheiben entsprechend den Hinweisen ihres Herstellers auf.
- Wenn der Arbeitsplatz von der Stromquelle entfernt ist, benutzen Sie ein so kurz wie mögliches Verlängerungskabel mit geeignetem Querschnitt.
- Überprüfen Sie ob der zusätzliche Handgriff richtig angesetzt und festgezogen ist.

EIN- UND AUSSCHALTEN

Der Winkelschleifer ist gegen unbeabsichtigtes Einschalten gesichert.

- Einschalten: Zuerst die Hilfstaste 8 auf der oberen Seite des Handgriffes und dann den Haupthebel des Ein-Ausschalters 7 drücken. Bei Dauerarbeit kann der Ein-Ausschalter 7 arretiert werden. Dafür bei gedrücktem Ein-Ausschalter 7 den Knopf 8 drücken und danach den Hebel loslassen.
- Ausschalten: Den Ein-Ausschalter 7 loslassen, wenn er arretiert wurde - ihn erst drücken, dann loslassen.

Bei Unterbrechung der Netzspannung (oder bei vorübergehendem Stromausfall für eine Zeit $t > 0,5$ s.), wenn der Schalter in Ein-Stellung arretiert ist, läuft das Elektrowerkzeug nach Wiederherstellung der Netzspannung nicht. Damit es weiter betrieben wird, den Schalter ausschalten und erneut einschalten.

SCHUTZHAUBE DER SCHLEIFSCHEIBE



WARNUNG: Die Schutzhaube 3.1 für Trennscheibe oder die Schutzhaube 3.2 für Schrupscheibe (entsprechend für Trennscheibe 2.1 oder für Schrupscheibe 2.2) muss immer an der Maschine angesetzt sein!



WARNUNG: Vor dem Ausführen der folgenden Einstellungen, muss die Maschine vom Versorgungsnetz getrennt werden (Stecker ziehen).

Ansetzen einer Schutzhaube (Abb. 1)

- Den schwarzen Plastikring soweit drehen (Abb. 2a), bis die Nut S am Ring mit dem Schlitz für die Nase des Spannhebels L zusammen trifft.

- Die Schutzhaube mit den vier Nasen in die vier Nuten am Lagersitz setzen (Abb. 2a, Abb. 2b).

- Den Spannhebel L öffnen (Abb. 3).

- Die Schutzhaube nach unten drücken und in die erforderliche Arbeitsposition drehen (Abb. 4).

- Den Spannhebel L zum Festklemmen der Schutzhaube schließen (die Nase am Spannhebel geht in eine der Nuten an der Schutzhaube hinein).

Drehen der Schutzhaube in eine neue Arbeitsstellung

- Den Spannhebel L öffnen (Abb. 3).

- Die Schutzhaube in die erforderliche Arbeitsposition drehen.

- Den Spannhebel L zum Festklemmen der Schutzhaube schließen (die Nase am Spannhebel geht in eine der Nuten an der Schutzhaube hinein).

Schutzhaube abnehmen

- Den Spannhebel L öffnen (Abb. 3).

- Die Schutzhaube so drehen, dass die vier Nasen in den vier Nuten am Lagersitz liegen (Abb. 2a, Abb. 2b).

- Schutzhaube abnehmen.

SCHEIBENWECHSEL



WARNUNG: Vor dem Ausführen der folgenden Einstellungen, muss die Maschine vom Versorgungsnetz getrennt werden (Stecker ziehen).

Die Spindel 1 des Winkelschleifers fixieren. Dieses erreicht man durch das Drücken der Taste 9, die sich auf dem Getriebekasten der Maschine befindet.



WARNUNG: Das Drücken der Taste im laufenden Betrieb ist unzulässig und beschädigt die Maschine.

- Bei gedrückter Taste dreht man die Spindel entgegen der auf der Schutzhaube angegebenen Richtung 3, bis zu ihrem deutlichen Einsinken bzw. Einrasten. Den Flansch 5 löst man mittels eines speziellen Schlüssels. Die neue Scheibe auf die Anschlagsscheibe 4 mit der Aufschrift nach oben ansetzen und den Flansch 5 mit dem Schlüssel festziehen. Benutzen Sie Papierunterlagesscheiben, falls die Scheibe mit solchen geliefert wurde. Wenn die Scheibe bis 6 mm dick ist, stellt man den Flansch mit der flachen Seite zur Scheibe, wenn die Dicke der Scheibe größer als 6 mm ist, stellt man den Flansch 5 auf der Spindel so, dass die Sohle des Flansches in die Öffnung der Scheibe eintritt. Nach dem Wechsel der Schleifscheibe muss die Maschine mit der neuen Scheibe ungefähr eine Minute ohne Belastung arbeiten. Wechseln Sie schwingende oder sich ungleichmäßig drehende Scheiben sofort aus.
- Befestigen Sie eine Metallbürste 10 direkt mittels eines Schraubenschlüssels an der Spindel 1c. Überprüfen Sie ob die Länge der Bürstengewinde genügt, um das Spindelgewinde zu umfassen.
- Feinschleifarbeiten können mit der Kunststoffscheibe 11 mit Hilfe von Schleifpapier ausgeführt werden. Gummischeibe 11 auf den Anschlagflansch 4 setzen und mit Hilfe der mit der Schleifscheibe mitgelieferten Spezialmutter 13 befestigen. Scheiben mit eingebautem Flansch werden mit Hilfe eines Schraubenschlüssels direkt an der Spindel befestigt. Der Flansch 5 wird hierzu nicht benutzt. Die Scheibe mit einem eingebauten Flansch kann aus harzhaltigem Schwamm oder Polyurethanschaum mit tragender Stoffeinlage gefertigt sein. Der Flansch ist in der tragenden Stoffeinlage eingebaut, und das Schleifblatt wird an der Polyurethanschaumscheibe durch einen Klett-Verschluss befestigt. Nach Wechsel der Scheibe die Maschine mit der neuen Scheibe ungefähr eine Minute ohne Belastung anlaufen lassen. Vibrierende oder sich ungleichmäßig drehende Scheiben

müssen umgehend ersetzt werden.

ZUSÄTZLICHER HANDGRIFF (Abb. 5)

Normalerweise wird der zusätzliche Handgriff 6 links an der Maschine angesetzt. Man kann ihn aber auch rechts anbauen, wenn das für den Benutzer bequemer ist. Die Maschinen besitzen eine dritte Gewindebuchse (auf dem Getriebegehäuse) zum Ansetzen des zusätzlichen Handgriffs. Der zusätzliche Handgriff bei diesen Modellen ist am Gehäuse der Maschine mittels vibrationsdämpfender Elemente befestigt, was den Benutzer schützt und eine Ermüdung bei der Arbeit reduziert.

DREHEN DES GEHÄUSES

Das Gehäuse der Maschine ist um 90° drehbar. Diese Möglichkeit kann genutzt werden, wenn die Maschine vorwiegend zum Trennen verwendet wird. Diese Veränderung der Maschine darf jedoch nur von einem autorisierten SPARKY Service vorgenommen werden.

EMPFEHLUNGEN

Beim Trennen die Trennscheibe nicht drücken und die Maschine nicht seitwärts bewegen (Gefahr der Verkantung). Mit mäßigem, dem zu bearbeitendem Material angepasstem Vorschub arbeiten.

Wichtig ist die Richtung des Trennens. Man muss die Maschine stets in Gegenrichtung gegen zur Drehung der Scheibe (siehe Pfeil auf der Schutzhaube) verschieben. Andernfalls besteht die Gefahr, dass die Scheibe unkontrolliert aus dem Schnitt schlägt. (Abb. 6)

Beim Schneiden von Profilen und Rohren wird empfohlen, das Schneiden von der kürzesten Seite zu beginnen.

Beim Schleifen drücken Sie die Maschine nicht auf die zu bearbeitende Oberfläche, sondern bewegen Sie die Scheibe gleichmäßig vor und zurück. Leichtmetalle werden mit Sonderscheiben bearbeitet. Das beste Ergebnis beim Grobschleifen wird bei einer Neigung von 30° - 40° zwischen der Scheibe und der zu bearbeitenden Oberfläche erreicht (Abbildung 7). Beim Grobschleifen ist der Gebrauch von Trennscheiben nicht zugelassen. Der Gebrauch von Scheiben mit einer Stärke von über 10 mm wird nicht empfohlen.

Wartung



WARNUNG: Ziehen Sie den Stecker aus der Steckdose, bevor Sie jede Inspektion oder Wartung vornehmen.

INSTANDSETZUNG DER KOHLEBÜRSTEN

Das elektrische Gerät hat selbstausschaltende Kohlebürsten. Diese verschleifen und müssen deshalb von Zeit zu Zeit von einer autorisierten SPARKY Vertrags-Kundendienstwerkstatt geprüft bzw. ausgetauscht werden.

INSTANDHALTUNG

Prüfen Sie regelmäßig ob alle Stützelemente fest angezogen sind. Falls eine Klemmschraube gelöst ist, unverzüglich anziehen, um Risiken zu vermeiden.

Wenn die Anschlussleitung beschädigt ist, muss sie von einer autorisierten SPARKY Vertrags-Kundendienstwerkstatt ausgetauscht werden.

REINIGUNG

Pflegen Sie das elektrische Gerät und die Entlüftungsöffnungen mit Sorgfalt. Kontrollieren Sie, ob bewegliche Geräteteile einwandfrei funktionieren und nicht klemmen, ob Teile gebrochen oder so beschädigt sind, dass die Funktion des elektrischen Gerätes beeinträchtigt ist. Verwenden Sie eine weiche Bürste und/oder Pressluft, um Staub zu entfernen. Tragen Sie eine Schutzbrille während der Reinigung. Reinigen Sie den Gerätekörper mit einem weichen, feuchten Tuch und leichtem Spülmittel.



WARNUNG: Die Verwendung von Spiritus, Benzin oder anderen Lösungsmitteln ist nicht zugelassen. Verwenden Sie keine ätzenden Reinigungsmittel für die Kunststoffteile.



WARNUNG: Das Eindringen von Wasser in das Elektrogerät ist nicht ratsam.

ACHTUNG! Um den sicheren und zuverlässigen Betrieb des Elektrowerkzeuges sicherzustellen, lassen Sie alle Geräteeinstellungen, Reparatur- und Wartungstätigkeiten (einschließlich der Inspektion und Instandsetzung der Kohlebürsten) von einer autorisierten SPARKY Vertrags-Kundendienstwerkstatt durchführen.

Garantie

Die Garantiefrist der SPARKY-Elektrowerkzeuge wird im Garantieschein bestimmt.

Schäden, die auf natürliche Abnutzung, Überlastung oder unsachgemäße Handhabung zurückzuführen sind, bleiben von der Garantie ausgeschlossen.

Schäden, die durch Material- und/oder Herstellerfehler entstanden sind, werden unentgeltlich durch Ersatzlieferung oder Reparatur beseitigt. Beanstandungen bezüglich eines beschädigten SPARKY-Elektrowerkzeugs können nur anerkannt werden, wenn das Gerät unzerlegt (im ursprünglichen Zustand) dem Lieferanten oder der befugten Kundendienstwerkstatt vorgelegt wird.

Hinweise

Lesen Sie aufmerksam die ganze Betriebsanleitung bevor Sie beginnen dieses Erzeugnis zu benutzen.

Der Hersteller behält sich das Recht vor, Verbesserungen und Änderungen in seinen Erzeugnissen einzuführen und die Spezifikationen ohne Voranmeldung zu ändern.

Die Spezifikationen können sich in den verschiedenen Ländern unterscheiden.

Table des matières

Introduction	25
Données techniques	27
Avertissements de sécurité généraux pour l'outil	28
Instructions supplémentaires de sécurité lors du travail avec des meuleuses angulaires	30
Description de l'appareil électrique	A/33
Instructions pour le travail	B/33
Entretien	36
Garantie	36

DEBALLAGE

Compte tenu des technologies généralement adoptées pour la production en grande série, il est peu probable que votre instrument électrique soit défectueux ou qu'il lui manque une pièce. Si toutefois vous remarquez que quelque chose ne va pas, n'utilisez pas l'instrument électrique avant le remplacement de la pièce défectueuse ou avant l'élimination du dysfonctionnement. Le non-respect de cette recommandation peut entraîner un grave accident.

MONTAGE

La meuleuse angulaire est fournie emballée et montée à l'exception du dispositif de sécurité et de la poignée auxiliaire.

Introduction

Votre nouvel outil a été conçu et produit selon tous les standards de qualité pour répondre aux exigences les plus élevées. Son exploitation est facile et sécurisée. Et avec une utilisation correcte il vous servira longtemps.

AVERTISSEMENT!



Lire attentivement cette notice originale avant d'utiliser votre nouvel outil. Prêter attention aux sections «Avertissement». Votre outil électrique possède des caractéristiques qui facilitent votre travail.

Cet instrument a été conçu et produit selon toutes les exigences de sécurité pour que son usage et son entretien soient faciles.



Ne pas jeter les outils électroportatifs avec les ordures ménagères!

Les déchets provenant d'outils électroportatifs ne doivent pas être ramassés avec les ordures ménagères. Prière de recycler sur les lieux qui y sont spécialement destinés. Contacter les autorités locales ou un représentant pour des consultations concernant le recyclage.

RESPECT DE L'ENVIRONNEMENT



Récupération des matières premières plutôt qu'élimination des déchets. En vue à la protection de l'environnement, les appareils, comme d'ailleurs leurs accessoires et emballages, doivent pouvoir suivre chacun une voie de recyclage appropriée. Nos pièces en matières artificielles ont été marquées en vue d'un recyclage sélectif des différents matériaux.

LÉGENDE

L'outil électrique porte une plaque décrivant les signes spéciaux. Ils apportent une information importante quant au produit ou des instructions d'utilisation.



Double isolation pour une meilleure sécurité.



Filetage de la broche porte-outil: M14



Conforme aux directives européennes applicables.



Conforme aux exigences des règlements de l'Union douanière.



Lisez la notice originale.




Portez toujours des lunettes de protection.

YYYY-Www Période de production, où, les symboles variables sont les suivants :
YYYY - année de production,
ww – le numéro de la semaine du calendrier.

M, MA, MB, MBA Meuleuse angulaire.

Données techniques

Modèle	M2000 HD MB2000P HD	MA2000 HD MBA2000P HD	M2200 HD MB2200P HD	MA2200 HD MBA2200P HD	M2400 HD MB2400P HD	MA2400 HD MBA2400P HD	MB2600P HD	MBA2600P HD
Puissance								
consommée	2000 W	2000 W	2200 W	2200 W	2400 W	2400 W	2600 W	2600 W
Vitesse assignée	8500 min ⁻¹	6600 min ⁻¹	8500 min ⁻¹	6600 min ⁻¹	8500 min ⁻¹	6600 min ⁻¹	8500 min ⁻¹	6600 min ⁻¹
Filet de fixation								
de la broche	M14	M14	M14	M14	M14	M14	M14	M14
Longueur du filet								
de la broche	20 mm	20 mm	20 mm	20 mm	20 mm	20 mm	20 mm	20 mm
Diamètre intérieur du								
disque de meulage	22.23	22.23	22.23	22.23	22.23	22.23	22.23	22.23
Diamètre maximal du								
disque de meulage	180 mm	230 mm	180 mm	230 mm	180 mm	230 mm	180 mm	230 mm
Épaisseur maximale du								
disque de meulage	10 mm	10 mm	10 mm	10 mm	10 mm	10 mm	10 mm	10 mm
Poids de l'outil (EPTA								
procédure 01/2014)	5.4 kg	5.6 kg	5.3 kg	5.5 kg	6.0 kg	6.2 kg	6.1 kg	6.3 kg
	5.4 kg	5.6 kg	5.3 kg	5.5 kg	6.0 kg	6.2 kg		
Classe de protection								
(EN 60745-1) 	II	II	II	II	II	II	II	II

INFORMATION CONCERNANT LE BRUIT ET LES VIBRATIONS

Valeurs mesurées conformément à EN 60745.

Emission de bruit

A-niveau pondéré de

pression sonore L_{pa} 91 dB(A) 91 dB(A) 92 dB(A) 92 dB(A) 92 dB(A) 92 dB(A) 92 dB(A) 92 dB(A)

Incertitude K_{pa} 3.0 dB 3.0 dB 3.0 dB 3.0 dB 3.0 dB 3.0 dB 3.0 dB 3.0 dB

A-niveau pondéré de puissance

sonore L_{wa} 102 dB(A) 102 dB(A) 103 dB(A) 103 dB(A) 103 dB(A) 103 dB(A) 103 dB(A) 103 dB(A)

Incertitude K_{wa} 3.0 dB 3.0 dB 3.0 dB 3.0 dB 3.0 dB 3.0 dB 3.0 dB 3.0 dB

Utilisez des protecteurs auditifs!

Emission de vibrations *

Valeur globale des vibrations (somme vectorielle sur les trois axes) selon EN 60745:

Meulage de surfaces:

Valeur des vibrations

émises a_{h,AG} 5.1 m/s² 5.1 m/s² 5.0 m/s² 5.0 m/s² 4.9 m/s² 4.9 m/s² 5.0 m/s² 5.0 m/s²

Incertitude K_{AG} 1.5 m/s² 1.5 m/s² 1.5 m/s² 1.5 m/s² 1.5 m/s² 1.5 m/s² 1.5 m/s² 1.5 m/s²

Meulage à l'aide de toile émeri

Valeur des vibrations

émises a_{h,DS} 5.4 m/s² 5.4 m/s² 5.4 m/s² 5.4 m/s² 5.4 m/s² 5.4 m/s² 5.4 m/s² 5.4 m/s²

Incertitude K_{DS} 2.0 m/s² 2.0 m/s² 1.5 m/s² 1.5 m/s² 1.5 m/s² 1.5 m/s² 2.0 m/s² 2.0 m/s²

* Vibrations déterminées conformément au point 6.2.7 de EN 60745.

L'amplitude d' l'accélération indiquée dans ces instructions d'utilisation a été mesurée suivant les méthodes de mesurage conformément à la norme EN 60745 et peut être utilisée pour une comparaison d'appareils. Le niveau de vibration peut être utilisé pour faire une estimation provisoire du degré d'influence vibratoire.

Le niveau de vibration annoncé concerne la fonction principale de l'outil. Dans des cas où l'outil est destinée à une autre utilisation ou avec d'autres accessoires, ou s'il est mal entretenu, le niveau de vibration peut s'écarter de celui qui a été indiqué. Si c'est le cas, le degré d'influence peut fortement augmenter au cours de l'utilisation

Pour une estimation précise de l'influence vibratoire pendant un certain temps d'utilisation, il est recommandé de prendre aussi en considération les espaces de temps pendant lesquels l'appareil est éteint ou sous tension, mais pas vraiment utilisé. Ceci peut réduire considérablement l'influence vibratoire pendant toute la durée du travail.

Entretenez l'outil et ses accessoires en bon état. Gardez vos mains chaudes au cours de son utilisation - cela va diminuer les conséquences négatives lorsque vous travaillez à des hauts degrés de vibrations.

Lors de toutes les autres opérations, par exemple, le coupage à l'aide d'un disque abrasif ou le nettoyage à l'aide d'une brosse à fils de métal, les vibrations émises ont d'autres valeurs.

Les poussières de matériaux tels que peintures contenant du plomb, certains bois, minéraux ou métaux, peuvent être nuisibles à la santé. Toucher ou aspirer les poussières peut entraîner des réactions allergiques et/ou des maladies respiratoires auprès de l'utilisateur ou de personnes se trouvant à proximité. Certaines poussières telles que les poussières de chêne ou de hêtre sont considérées cancérigènes, surtout en connexion avec des additifs pour le traitement de bois (chromate, lazure). Les matériaux contenant de l'amiante ne doivent être travaillés que par des personnes qualifiées.

- Si possible, utilisez une aspiration des poussières.
- Veillez à bien aérer la zone de travail.
- Il est recommandé de porter un masque respiratoire de la classe de filtre P2.

Respectez les règlements en vigueur dans votre pays spécifiques aux matériaux à traiter.

Tous les modèles qui possèdent le symbole A dans leur dénomination-type ont un diamètre maximal de l'outil de Ø230mm. Si ce symbole est absent, le diamètre maximal de l'outil est de Ø180mm.

Tous les modèles possédant le symbole B sont dotés d'un dispositif électronique intégré qui assure une accélération progressive jusqu'à ce que soit atteinte la vitesse nominale et une limitation à 16 A de la force du courant au démarrage.

Tous les modèles possédant le symbole P sont dotés d'une protection contre l'auto-mise en marche: en cas de débranchement de la prise pour plus de 0,5 s. L'instrument électrique reste arrêté et ne peut être remis en marche qu'après son arrêt, puis sa remise en marche à l'aide de l'interrupteur de mise en marche. En cas d'absence de ce symbole, l'interrupteur de mise en marche ne possède pas de dispositif de blockage en position ON. (Le fonctionnement de ce dispositif de sécurité est décrit dans la section "Instructions pour le travail").

Avertissements de sécurité généraux pour l'outil



AVERTISSEMENT! Lire tous les avertissements de sécurité et toutes les instructions. Ne pas suivre les avertissements et instructions peut donner lieu à un choc électrique, un incendie et/ou une blessure sérieuse.

Conserver tous les avertissements et toutes les instructions pour pouvoir s'y reporter ultérieurement.

Le terme «outil» dans les avertissements fait référence à votre outil électrique alimenté par le secteur (avec cordon d'alimentation) ou votre outil fonctionnant sur batterie (sans cordon d'alimentation).

1) Sécurité de la zone de travail

- Conserver la zone de travail propre et bien éclairée.** Les zones en désordre ou sombres sont propices aux accidents.
- Ne pas faire fonctionner les outils électriques en atmosphère explosive,** par exemple en présence de liquides inflammables, de gaz ou de poussières. Les

outils électriques produisent des étincelles qui peuvent enflammer les poussières ou les fumées.

- Maintenir les enfants et les personnes présentes à l'écart pendant l'utilisation de l'outil.** Les distractions peuvent vous faire perdre le contrôle de l'outil.

2) Sécurité électrique

- Il faut que les fiches de l'outil électrique soient adaptées au socle. Ne jamais modifier la fiche de quelque façon que ce soit. Ne pas utiliser d'adaptateurs avec des outils à branchement de terre.** Des fiches non modifiées et des socles adaptés réduiront le risque de choc électrique.
- Eviter tout contact du corps avec des surfaces reliées à la terre telles que les tuyaux, les radiateurs, les cuisinières et les réfrigérateurs.** Il existe un risque accru de choc électrique si votre corps est relié à la terre.
- Ne pas exposer les outils à la pluie ou à des conditions humides.** La pénétration d'eau à l'intérieur d'un outil augmentera le risque de choc électrique.
- Ne pas maltraiter le cordon. Ne jamais utiliser le cordon pour porter, tirer ou débrancher l'outil. Maintenir le cordon à l'écart de la chaleur, du lubrifiant, des arêtes ou des parties en mouvement.**

Des cordons endommagés ou emmêlés augmentent le risque de choc électrique.

- e) **Lorsqu'on utilise un outil à l'extérieur, utiliser un prolongateur adapté à l'utilisation extérieure.** *L'utilisation d'un cordon adapté à l'utilisation extérieure réduit le risque de choc électrique.*
 - f) **S'il l'usage d'un outil dans un emplacement humide est inévitable, utiliser une alimentation protégée par un dispositif à courant différentiel résiduel (RCD).** *L'usage d'un RCD réduit le risque de choc électrique.*
- 3) Sécurité des personnes**
- a) **Rester vigilant, regarder ce que vous êtes en train de faire et faire preuve de bon sens dans votre utilisation de l'outil. Ne pas utiliser un outil lorsque vous êtes fatigué ou sous l'emprise de drogues, d'alcool ou de médicaments.** *Un moment d'inattention en cours d'utilisation d'un outil peut entraîner des blessures graves des personnes.*
 - b) **Utiliser un équipement de sécurité. Toujours porter une protection pour les yeux.** *Les équipements de sécurité tels que les masques contre les poussières, les chaussures de sécurité antidérapantes, les casques ou les protections acoustiques utilisés pour les conditions appropriées réduiront les blessures de personnes.*
 - c) **Éviter tout démarrage intempestif. S'assurer que l'interrupteur est en position arrêt avant de brancher l'outil au secteur et/ou au bloc de batteries, de le ramasser ou de le porter.** *Porter les outils en ayant le doigt sur l'interrupteur ou brancher des outils dont l'interrupteur est en position marche est source d'accidents.*
 - d) **Retirer toute clé de réglage avant de mettre l'outil en marche.** *Une clé laissée fixée sur une partie tournante de l'outil peut donner lieu à des blessures de personnes.*
 - e) **Ne pas se précipiter. Garder une position et un équilibre adaptés à tout moment.** *Cela permet un meilleur contrôle de l'outil dans des situations inattendues.*
 - f) **S'habiller de manière adaptée. Ne pas porter de vêtements amples ou de bijoux. Garder les cheveux, les vêtements et les gants à distance des parties en mouvement.** *Des vêtements amples, des bijoux ou les cheveux longs peuvent être pris dans des parties en mouvement.*
 - g) **Si des dispositifs sont fournis pour le raccordement d'équipements pour l'ex-**

traction et la récupération des poussières, s'assurer qu'ils sont connectés et correctement utilisés. *Utiliser des collecteurs de poussière peut réduire les risques dus aux poussières.*

4) Utilisation et entretien de l'outil

- a) **Ne pas forcer l'outil. Utiliser l'outil adapté à votre application.** *L'outil adapté réalisera mieux le travail et de manière plus sûre au régime pour lequel il a été construit.*
 - b) **Ne pas utiliser l'outil si l'interrupteur ne permet pas de passer de l'état de marche à arrêt et vice versa.** *Tout outil qui ne peut pas être commandé par l'interrupteur est dangereux et il faut le réparer.*
 - c) **Débrancher la fiche de la source d'alimentation en courant et/ou le bloc de batteries de l'outil avant tout réglage, changement d'accessoires ou avant de ranger l'outil.** *De telles mesures de sécurité préventives réduisent le risque de démarrage accidentel de l'outil.*
 - d) **Conserver les outils à l'arrêt hors de la portée des enfants et ne pas permettre à des personnes ne connaissant pas l'outil ou les présentes instructions de le faire fonctionner.** *Les outils sont dangereux entre les mains d'utilisateurs novices.*
 - e) **Observer la maintenance de l'outil. Vérifier qu'il n'y a pas de mauvais alignement ou de blocage des parties mobiles, des pièces cassées ou toute autre condition pouvant affecter le fonctionnement de l'outil. En cas de dommages, faire réparer l'outil avant de l'utiliser.** *De nombreux accidents sont dus à des outils mal entretenus.*
 - f) **Garder affûtés et propres les outils permettant de couper.** *Des outils destinés à couper correctement entretenus avec des pièces coupantes tranchantes sont moins susceptibles de bloquer et sont plus faciles à contrôler.*
 - g) **Utiliser l'outil, les accessoires et les lames etc., conformément à ces instructions, en tenant compte des conditions de travail et du travail à réaliser.** *L'utilisation de l'outil pour des opérations différentes de celles prévues pourrait donner lieu à des situations dangereuses.*
- 5) Maintenance et entretien**
- a) **Faire entretenir l'outil par un réparateur qualifié utilisant uniquement des pièces de rechange identiques.** *Cela assurera que la sécurité de l'outil est maintenue.*

Instructions supplémentaires de sécurité lors du travail avec des meuleuses angulaires

Avertissements de sécurité communs pour les opérations de meulage, de ponçage, de brossage métallique ou de tronçonnage par meule abrasive:

- a) Cet outil électrique est destiné à fonctionner comme meuleuse, ponceuse, brosse métallique ou outil à tronçonner. Lire toutes les mises en garde de sécurité, les instructions, les illustrations et les spécifications fournies avec cet outil électrique. *Le fait de ne pas suivre toutes les instructions données ci-dessous peut provoquer un choc électrique, un incendie et/ou une blessure grave.*
- b) Les opérations de polissage ne sont pas recommandées avec cet outil électrique. *Les opérations pour lesquelles l'outil électrique n'a pas été conçu peuvent provoquer un danger et causer un accident corporel.*
- c) Ne pas utiliser d'accessoires non conçus spécifiquement et recommandés par le fabricant d'outils. *Le simple fait que l'accessoire puisse être fixé à votre outil électrique ne garantit pas un fonctionnement en toute sécurité.*
- d) La vitesse assignée de l'accessoire doit être au moins égale à la vitesse maximale indiquée sur l'outil électrique. *Les accessoires fonctionnant plus vite que leur vitesse assignée peuvent se rompre et voler en éclat.*
- e) Le diamètre extérieur et l'épaisseur de votre accessoire doivent se situer dans le cadre des caractéristiques de capacité de votre outil électrique. *Les accessoires dimensionnés de façon incorrecte ne peuvent pas être protégés ou commandés de manière appropriée.*
- f) Le montage fileté d'accessoires doit être adapté au filet de l'arbre de la meuleuse. Pour les accessoires montés avec des flasques, l'alésage central de l'accessoire doit s'adapter correctement au diamètre du flasque. *Les accessoires qui ne correspondent pas aux éléments de montage de l'outil électrique seront en déséquilibre, vibreront de manière exces-*

sive et pourront provoquer une perte de contrôle.

- g) Ne pas utiliser d'accessoire endommagé. Avant chaque utilisation examiner les accessoires comme les meules abrasives pour détecter la présence éventuelle de copeaux et fissures, les patins d'appui pour détecter des traces éventuelles de fissures, de déchirure ou d'usure excessive, ainsi que les brosses métalliques pour détecter des fils desserrés ou fissurés. Si l'outil électrique ou l'accessoire a subi une chute, examiner les dommages éventuels ou installer un accessoire non endommagé. Après examen et installation d'un accessoire, placez-vous ainsi que les personnes présentes à distance du plan de l'accessoire rotatif et faire marcher l'outil électrique à vitesse maximale à vide pendant 1 min. *Les accessoires endommagés seront normalement détruits pendant cette période d'essai.*
- h) Porter un équipement de protection individuelle. En fonction de l'application, utiliser un écran facial, des lunettes de sécurité ou des verres de sécurité. Le cas échéant, utiliser un masque anti-poussières, des protections auditives, des gants et un tablier capables d'arrêter les petits fragments abrasifs ou des pièces à usiner. *La protection oculaire doit être capable d'arrêter les débris volants produits par les diverses opérations. Le masque antipoussières ou le respirateur doit être capable de filtrer les particules produites par vos travaux. L'exposition prolongée aux bruits de forte intensité peut provoquer une perte de l'audition.*
- i) Maintenir les personnes présentes à une distance de sécurité par rapport à la zone de travail. Toute personne entrant dans la zone de travail doit porter un équipement de protection individuelle. *Des fragments de pièce à usiner ou d'un accessoire cassé peuvent être projetés et provoquer des blessures en dehors de la zone immédiate d'opération.*
- j) Tenir l'outil uniquement par les surfaces de préhension isolantes, pendant les opérations au cours desquelles l'accessoire coupant peut être en contact avec des conducteurs cachés ou avec son propre câble. *Le contact de l'accessoire coupant avec un fil «sous tension» peut*

également mettre «sous tension» les parties métalliques exposées de l'outil électrique et provoquer un choc électrique sur l'opérateur.

- k) **Placer le câble éloigné de l'accessoire de rotation.** Si vous perdez le contrôle, le câble peut être coupé ou subir un accroc et votre main ou votre bras peut être tiré dans l'accessoire de rotation.
 - l) **Ne jamais reposer l'outil électrique avant que l'accessoire n'ait atteint un arrêt complet.** L'accessoire de rotation peut agripper la surface et arracher l'outil électrique hors de votre contrôle.
 - m) **Ne pas faire fonctionner l'outil électrique en le portant sur le côté.** Un contact accidentel avec l'accessoire de rotation pourrait accrocher vos vêtements et attirer l'accessoire sur vous.
 - n) **Nettoyer régulièrement les orifices d'aération de l'outil électrique.** Le ventilateur du moteur attirera la poussière à l'intérieur du boîtier et une accumulation excessive de poudre de métal peut provoquer des dangers électriques.
 - o) **Ne pas faire fonctionner l'outil électrique à proximité de matériaux inflammables.** Des étincelles pourraient enflammer ces matériaux.
 - p) **Ne pas utiliser d'accessoires qui nécessitent des réfrigérants fluides.** L'utilisation d'eau ou d'autres réfrigérants fluides peut aboutir à une électrocution ou un choc électrique.
- **L'appareil doit être utilisé uniquement pour les travaux pour lesquels il a été prévu.** Toute autre utilisation, différente que celle décrite dans la présente instruction, doit être considérée comme abusive. Le producteur décline toute responsabilité en cas de dommage ou de blessure causée par une utilisation abusive, cette responsabilité étant alors entièrement assumée par l'utilisateur.
 - **Le producteur décline toute responsabilité en cas de modifications apportées à l'appareil électrique ou de dommages provoqués par ces modifications.**
 - **Lors du travail dans un milieu poussiéreux, les orifices de ventilation de la machine doivent être gardés propres.** S'ils ont besoin d'être nettoyés de la poussière, commencez par couper le courant, puis utilisez pour le nettoyage des outils non métalliques en veillant à

ne pas endommager les pièces intérieures de la machine. L'appareil électrique risque de se surchauffer en cas de refroidissement insuffisant dû à l'obstruction des orifices de ventilation.

Autres instructions de sécurité pour toutes les opérations

Rebonds et mises en garde correspondantes

Le rebond est une réaction soudaine au pincement ou à l'accrochage d'une meule rotative, d'un patin d'appui, d'une brosse ou de tout autre accessoire. Le pincement ou l'accrochage provoque un blocage rapide de l'accessoire en rotation qui, à son tour, contraint l'outil électrique hors de contrôle dans le sens opposé de rotation de l'accessoire au point du grippage.

Par exemple, si une meule abrasive est accrochée ou pincée par la pièce à usiner, le bord de la meule qui entre dans le point de pincement peut creuser la surface du matériau, provoquant des sauts ou l'expulsion de la meule. La meule peut sauter en direction de l'opérateur ou encore en s'en éloignant, selon le sens du mouvement de la meule au point de pincement. Les meules abrasives peuvent également se rompre dans ces conditions.

Le rebond résulte d'un mauvais usage de l'outil et/ou de procédures ou de conditions de fonctionnement incorrectes et peut être évité en prenant les précautions appropriées spécifiées ci-dessous.

- a) **Maintenir fermement l'outil électrique et placer votre corps et vos bras pour vous permettre de résister aux forces de rebond.** Toujours utiliser une poignée auxiliaire, le cas échéant, pour une maîtrise maximale du rebond ou de la réaction de couple au cours du démarrage. L'opérateur peut maîtriser les couples de réaction ou les forces de rebond, si les précautions qui s'imposent sont prises.
- b) **Ne jamais placer votre main à proximité de l'accessoire en rotation.** L'accessoire peut effectuer un rebond sur votre main.
- c) **Ne pas vous placer dans la zone où l'outil électrique se déplacera en cas de rebond.** Le rebond pousse l'outil dans le sens opposé au mouvement de la meule au point d'accrochage.
- d) **Apporter un soin particulier lors de travaux dans les coins, les arêtes vives etc.** Éviter les rebondissements et les accrochages de l'accessoire. Les coins,

les arêtes vives ou les rebondissements ont tendance à accrocher l'accessoire en rotation et à provoquer une perte de contrôle ou un rebond.

- e) **Ne pas fixer de chaîne coupante, de lame de sculpture sur bois, de chaîne coupante ni de lame de scie dentée.** De telles lames provoquent des rebonds fréquents et des pertes de contrôle.
- **Maintenir la pièce à travailler à l'aide d'un dispositif de fixation approprié.**

Mises en garde de sécurité spécifiques aux opérations de meulage et de tronçonnage abrasif:

- a) **Utiliser uniquement des types de meules recommandés pour votre outil électrique et le protecteur spécifique conçu pour la meule choisie.** Les meules pour lesquelles l'outil électrique n'a pas été conçu ne peuvent pas être protégées de façon satisfaisante et sont dangereuses.
- b) **La surface de meulage des meules à moyeu déporté doit être montée sous le plan de la lèvre du protecteur.** Une meule montée de manière incorrecte qui dépasse du plan de la lèvre du protecteur ne peut pas être protégée de manière appropriée.
- c) **Le protecteur doit être solidement fixé à l'outil électrique et placé en vue d'une sécurité maximale, de sorte que l'opérateur soit exposé le moins possible à la meule.** Le protecteur protège l'opérateur contre des fragments volant d'une meule qui se brise, contre un contact accidentel avec la meule et contre des étincelles qui risquent d'enflammer ses vêtements.
- d) **Les meules doivent être utilisées uniquement pour les applications recommandées.** Par exemple: ne pas meuler avec le côté de la meule à tronçonner. Les meules à tronçonner abrasives sont destinées au meulage périphérique, l'application de forces latérales à ces meules peut les briser en éclats.
- e) **Toujours utiliser des flasques de meule non endommagés qui sont de taille et de forme correctes pour la meule que vous avez choisie.** Des flasques de meule appropriés supportent la meule réduisant ainsi la possibilité de rupture de la meule. Les flasques pour les meules à tronçonner peuvent être différents des autres flasques de meule.
- f) **Ne pas utiliser de meules usées d'outils**

électriques plus grands. La meule destinée à un outil électrique plus grand n'est pas appropriée pour la vitesse plus élevée d'un outil plus petit et elle peut éclater.

- **Respectez toujours le sens de rotation du disque.** La force de rappel agit en sens inverse à celui de la rotation à l'endroit du meulage ou du coupage et crée des conditions pouvant conduire à la perte du contrôle sur l'instrument électrique.
- **Tenez toujours la machine de façon à ce que les étincelles et la poussière du meulage se dispersent sans entrer en contact avec votre corps.** Les appareils électriques émettent des étincelles qui peuvent brûler vos vêtements ou les parties non protégées de votre corps.
- **Il est interdit de meuler et couper des structures en métal fraîchement peintes avant que la peinture n'ait séché.** Il existe un danger d'inflammation de la peinture qui n'est par complètement sèche.
- **Il est interdit de couper des matériaux inflammables (bois, matière plastique, etc.), de même que des plaques stratifiées à l'intérieur desquelles il y a une matière inflammable.** Il existe un danger d'incendie.
- **Il est interdit de meuler et couper des dispositifs qui fonctionnent sous pression.** Il existe un danger d'explosion.
- **Il est interdit de meuler et couper des réservoirs, des tuyauteries, des appareils, etc., qui ont contenu des matières inflammables prenant facilement le feu sans avoir pris au préalable des mesures spéciales visant à éliminer le danger d'incendie et d'explosion.** Il existe un danger d'incendie ou d'explosion.

Mises en garde de sécurité additionnelles spécifiques aux opérations de tronçonnage abrasif

- a) **Ne pas «coincer» la meule à tronçonner ou ne pas appliquer une pression excessive.** Ne pas tenter d'exécuter une profondeur de coupe excessive. Une contrainte excessive de la meule augmente la charge et la probabilité de torsion ou de blocage de la meule dans la coupe et la possibilité de rebond ou de rupture de la meule.
- b) **Ne pas vous placer dans l'alignement de la meule en rotation ni derrière celle-ci.** Lorsque la meule, au point de fonctionnement, s'éloigne de votre corps, le rebond éventuel peut propulser la meule en rotation

et l'outil électrique directement sur vous.

- c) Lorsque la meule se bloque ou lorsque la coupe est interrompue pour une raison quelconque, mettre l'outil électrique hors tension et tenir l'outil électrique immobile jusqu'à ce que la meule soit à l'arrêt complet. Ne jamais tenter d'enlever la meule à tronçonner de la coupe tandis que la meule est en mouvement sinon le rebond peut se produire. Rechercher et prendre des mesures correctives afin d'empêcher que la meule ne se grippe.
- d) Ne pas reprendre l'opération de coupe dans la pièce à usiner. Laisser la meule atteindre sa pleine vitesse et rentrer avec précaution dans le tronçon. La meule peut se coincer, venir chevaucher la pièce à usiner ou effectuer un rebond si l'on fait redémarrer l'outil électrique dans la pièce à usiner.
- e) Prévoir un support de panneaux ou de toute pièce à usiner surdimensionnée pour réduire le risque de pincement et de rebond de la meule. Les grandes pièces à usiner ont tendance à fléchir sous leur propre poids. Les supports doivent être placés sous la pièce à usiner près de la ligne de coupe et près du bord de la pièce des deux côtés de la meule.
- f) Soyez particulièrement prudent lorsque vous faites une «coupe en retrait» dans des parois existantes ou dans d'autres zones sans visibilité. La meule saillante peut couper des tuyaux de gaz ou d'eau, des câblages électriques ou des objets, ce qui peut entraîner des rebonds.

Mises en garde de sécurité spécifiques aux opérations de ponçage

- a) Ne pas utiliser de papier abrasif trop surdimensionné pour les disques de ponçage. Suivre les recommandations des fabricants, lors du choix du papier abrasif. Un papier abrasif plus grand s'étendant au-delà du patin de ponçage présente un danger de lacération et peut provoquer un accrochage, une déchirure du disque ou un rebond.

Mises en garde de sécurité spécifiques aux opérations de brossage métallique

- a) Garder à l'esprit que des brins métalliques sont rejetés par la brosse même au cours d'une opération ordinaire. Ne pas soumettre à une trop grande contrainte

les fils métalliques en appliquant une charge excessive à la brosse. Les brins métalliques peuvent aisément pénétrer dans des vêtements légers et/ou la peau.

- b) Si l'utilisation d'un protecteur est recommandée pour le brossage métallique, ne permettre aucune gêne du touret ou de la brosse métallique au protecteur. Le touret ou la brosse métallique peut se dilater en diamètre en raison de la charge de travail et des forces centrifuges.

Description de l'appareil électrique

Avant de commencer le travail avec l'appareil électrique, prenez connaissance des particularités de son fonctionnement et des conditions de sécurité à respecter.

L'appareil et ses accessoires doivent être utilisés uniquement pour les travaux pour lesquels ils ont été prévus. Toute autre utilisation est strictement interdite.

1. Broche
 - 2.1. Disque pour le meulage (À utiliser uniquement avec la protection du disque de meulage!)*
 - 2.2. Disque de découpage (À utiliser uniquement avec la protection du disque de découpage!)*
 - 3.1. Protection du disque de meulage
 - 3.2. Protection du disque de découpage*
 4. Bride de butée
 5. Bride de serrage
 6. Poignée auxiliaire
 7. Interrupteur
 8. Bouton de blocage de l'interrupteur
 9. Bouton de blocage de la broche

ACCESSOIRES POUVANT ETRE UTILISES AVEC CET APPAREIL ELECTRIQUE

10. Brosse en fils de métal8
11. Plateau en matière plastique (en caoutchouc)*
12. Toile emeri*
13. Erou spécial*

* Les attachements démontrés sur les images ou décrits dans la notice originale ne sont pas fournis avec l'outil.

Instructions pour le travail

Ces appareils électriques sont alimentés uni-

quement par un courant alternatif monophasé. Ils possèdent une double isolation, conformément à EN 60745 et IEC 60745-1 et peuvent être branchés à des prises qui ne possèdent pas de bornes de protection. Pour ce qui est des interférences radio, il est conforme aux la directive sur la compatibilité électromagnétique . Cet appareil électrique est destiné à couper, meuler et broser principalement des métaux sans l'utilisation d'eau.

AVANT LE DEBUT DU TRAVAIL

- La machine peut posséder une protection montée en usine. Assurez-vous que la protection est montée correctement et qu'elle est fixée de manière fiable avant la première utilisation et toutes les utilisations suivantes.
- La machine peut posséder un disque monté en usine. Assurez-vous que le disque est monté correctement et qu'il est serré de manière fiable avant la première utilisation et toutes les utilisations suivantes.
- Assurez-vous que la tension du secteur correspond à celle indiquée sur la plaquette contenant les données techniques sur l'instrument.
- Vérifiez la position de l'interrupteur. L'appareil doit être toujours branché et débranché du secteur son interrupteur étant en position OFF. Si vous branchez l'appareil au secteur son interrupteur étant en position de marche, l'appareil se mettra immédiatement a fonctionner, ce qui crée un danger d'accident.
- Assurez-vous que le câble électrique et sa fiche sont en parfait état. Si le câble d'alimentation est endommagé, il doit être remplacé par le producteur ou un spécialiste agréé par celui-ci afin d'éviter les éventuels risques liés a son remplacement.



AVERTISSEMENT: Arrêtez toujours l'appareil électrique et débranchez-le du réseau avant d'effectuer sur celui-ci tout réglage et opération de service ou d'entretien ou lors d'une baisse de la tension dans le réseau d'alimentation.

- Lors de l'utilisation de disques à tronçonner diamantés, veillez à ce que la flèche indiquant le sens de rotation qui se trouve sur le disque diamanté à tronçonner coïncide avec le sens de rotation de l'outil électroportatif (voir la flèche indiquant le sens de rotation qui se trouve sur le carter d'engrenage).
- Assurez-vous que le diamètre et l'épaisseur du disque ne dépassent pas les dimensions mentionnées dans les données techniques. La

vitesse périphérique autorisée, indiquée sur le disque, ne doit pas être inférieure a 80 m/s. Les disques doivent être conservés en conformité avec les instructions de leur producteur.

- Si la zone de travail est éloignée de la prise de courant, utilisez une rallonge aussi courte que possible, à section du câble appropriée.
- Vérifiez si la poignée auxiliaire est correctement montée et bien serrée.

MARCHE - ARRET

La meuleuse est protégée contre une mise en marche involontaire.

- Mise en marche: appuyez d'abord sur le bouton de blocage 8 qui se trouve sur la partie inférieure de la poignée, puis sur l'interrupteur. Pour la marche continue, l'interrupteur peut être verrouillé (uniquement sur les modèles possédant le symbole P). A cette fin, maintenez l'interrupteur 7 enfoncé et appuyez sur le bouton 8, puis relâchez l'interrupteur.
- Arrêt: relâchez l'interrupteur 7 et s'il est bloqué, d'abord appuyez et ensuite relâchez.

En cas de manque de tension (ou de baisse momentanée de la tension pour un temps $t > 0,5$ s) et si l'interrupteur de démarrage de l'outil est activé, au moment de la restitution de la tension l'outil devrait rester non-opérant (ne pas se mettre en marche). Dans ce cas-la, pour le remettre en marche, il est nécessaire de déverrouiller l'interrupteur de démarrage, et, ensuite, le brancher a nouveau.

PROTECTION DU DISQUE



AVERTISSEMENT: La protection 3.1 du disque de meulage ou la protection 3.2 du disque de découpage (destinées, respectivement, au disque de meulage 2.1 ou au disque de découpage 2.2) doit toujours être installée sur la machine !



AVERTISSEMENT: Avant d'effectuer les opérations suivantes, il faut couper le courant en débranchant la fiche du secteur.

Montage du carter de meule (Fig. 1)

- Faites tourner la bague noire en matière plastique (fig. 2a) de façon à ce que la fente S de la bague coïncide avec l'entaille où se loge la dent du levier de verrouillage L.
- Monter le carter dans une position de montage en veillant (Fig. 2a) à ce que les quatre

dents de fixation s'engagent dans les quatre rainures sur le siège du roulement (Fig. 2b).

- Ouvrir le levier de serrage L (Fig. 3).
- Presser le carter et tourner le dans la position de travail désirée (Fig. 4).
- Fermer le levier de serrage L à façon que le carter soit bien fixé.

Réglage du carter en cours de travail

- Ouvrir le levier de serrage L (Fig. 3).
- Tourner le carter dans la position de travail désirée.
- Fermer le levier de serrage L à façon que le carter soit bien fixé.

Démontage du carter

- Ouvrir le levier de serrage L (Fig. 3).
- Tourner le carter dans une position de maniement en veillant (Fig. 2a) à ce que les quatre dents de fixation s'engagent dans les quatre rainures sur le siège du roulement (Fig. 2b).
- Démonter le carter.

RECHANGE DU DISQUE



AVERTISSEMENT: Avant d'effectuer les opérations suivantes, il faut couper le courant en débranchant la fiche du secteur.

La broche 1 de la meuleuse est fixée. Pour tous les modèles, cela est effectué en appuyant sur le bouton 9 situé sur la boîte de réduction de la machine.



AVERTISSEMENT: N'appuyez pas sur le bouton 9 pendant que la broche tourne.

- Le bouton étant appuyé, faites tourner la broche dans le sens inverse à celui indiqué sur la protection 3 jusqu'à ce qu'elle s'enfonce de façon nette. La bride de serrage 5 est dévissée à l'aide d'une clé spéciale. Le nouveau disque est placé sur la bride de butée 4 la face marquée vers le haut et la bride de serrage 5 est vissée à l'aide de la clé spéciale. Utilisez des rondelles de papiers si elles sont fournies avec la meule. Si le disque est d'une épaisseur inférieure à 6 mm, positionnez la bride de serrage avec la partie plate vers le disque, alors que si cette épaisseur est supérieure à 6 mm, positionnez la bride de serrage 5 de manière à introduire le pied de bride dans l'ouverture du disque. Après un changement de disque, laissez la machine fonctionner à vide avec le nouvel outil environ une minute. Les disques qui vibrent ou dont la rotation est irrégulière

doivent être immédiatement remplacés.

- La brosse en fils de métal 10 est vissée directement sur la broche 1 à l'aide d'une clef à écrou. Vérifiez la longueur du filet de la brosse : elle doit être suffisante pour couvrir le filet de l'arbre.
- Les meulages à feuille abrasive réalisés avec un plateau en caoutchouc 11 auquel sont fixées la feuille abrasive 12. La meule en plastique 11 est placée sur la bride de butée 4 et celle-ci est serrée à l'aide de l'écrou spécial 13 faisant partie du complet de la meule. En cas de meule à bride intercalée, vissez la meule directement sur l'arbre à l'aide d'une clef plate, sans utiliser la bride de serrage 5. La meule à bride intercalée peut être en éponge résineuse, en mousse polyuréthane avec intercalaire en plastique portant la bride; quant à la feuille abrasive, elle est en toile émeri et elle est attachée sur la meule en mousse polyuréthane par un système auto-agrippant. Après rechange de la meule, mettez en marche la machine avec la nouvelle meule afin qu'elle tourne à vide environ une minute. Les disques qui vibrent ou dont la rotation est irrégulière doivent être immédiatement remplacés.

POIGNEE AUXILIAIRE (Fig. 5)

La poignée auxiliaire 6 est normalement vissée du côté gauche de l'outil. Pour assurer un plus grand confort lors du travail, elle peut être également vissée du côté droit. Les machines disposent d'un troisième logement fileté destiné à recevoir la poignée auxiliaire. La poignée auxiliaire de ces modèles est reliée au boîtier de la machine moyennant des dispositifs qui amortissent les vibrations, ce qui protège l'opérateur et réduit sa fatigue engendrée par le travail.

CHANGEMENT DE L'ANGLE DU BOITIER DE LA MACHINE

L'angle du boîtier de la machine peut être modifié de 90°. Cela est fait lorsque la machine est utilisée principalement pour le coupage. Dans un tel cas, l'angle du boîtier doit être modifié dans un atelier spécialisé dans l'entretien des appareils électriques manuels de SPARKY.

RECOMMANDATIONS

Lors du travail avec un disque à tronçonner, n'exercez pas de pression et ne déplacez pas le disque en dehors de la ligne de coupe. Maintenez un avancement modéré convenant au matériel traité.

Il est important de respecter la direction de coupe. L'avancement de la machine doit être en sens contraire au sens de rotation du disque. Autrement, on risque de provoquer un mouvement incontrôlable du disque hors de la fente. (fig. 6)

Lors de la coupe de profils et de tubes à section rectangulaire, il est recommandé d'aborder cette coupe du côté le plus petit.

Lors du meulage, ne pressez pas fortement la machine sur la surface traitée, mais opérez par mouvements progressifs de va-et-vient. Les métaux légers sont traités à l'aide de disques spéciaux. Lors des gros travaux de meulage, les meilleurs résultats sont obtenus à un angle de travail de 30° à 40° entre la meule et la surface traitée (Fig. 7). Pour les gros travaux de meulage, il est interdit d'utiliser des disques à tronçonner. L'utilisation de meules d'une épaisseur de plus de 10 mm est déconseillé.

Entretien



AVERTISSEMENT: Arrêtez toujours l'appareil et débranchez-le du réseau avant d'effectuer sur celui-ci toute vérification et toute opération d'entretien.

REPLACEMENT DES BALAIS

L'appareil est doté de balais qui se déconnectent automatiquement. Lorsque les balais sont usés, il faut les remplacer les deux à la fois par des balais d'origine de SPARKY pour l'entretien de l'appareil dans le cadre de la garantie et en dehors de celle-ci.

EXAMEN GENERAL

Vérifiez régulièrement tous les éléments de fixation pour vous assurer qu'ils sont solidement serrés. Si quelque vis s'est desserrée, resserrez-la immédiatement afin d'éviter tout risque. Si le câble d'alimentation est endommagé, il doit être remplacé par le producteur ou un spécialiste agréé par celui-ci afin d'éviter les éventuels risques liés à son remplacement.

NETTOYAGE

Pour assurer un fonctionnement sécurisé, entretenez toujours l'appareil et ses orifices de ventilation propres.

Vérifiez régulièrement si dans les orifices de ventilation du moteur électrique ou autour des commutateurs il n'y a pas de poussière ni de

corps étrangers. Utilisez une brosse douce et/ou un jet d'air comprimé pour éliminer la poussière accumulée à ces endroits. Afin de protéger vos yeux, lors des opérations de nettoyage, portez des lunettes de protection.

Si le boîtier de l'appareil a besoin d'être nettoyé, essuyez-le à l'aide d'un chiffon doux humide. Vous pouvez utiliser un produit de nettoyage peu agressif.



AVERTISSEMENT: Il est interdit d'utiliser de l'alcool, de l'essence ou d'autres solvants. N'utilisez jamais des produits agressifs pour le nettoyage des pièces en matière plastique.



AVERTISSEMENT: Ne pas permettre à de l'eau d'entrer en contact avec l'appareil.

AVIS IMPORTANT! Afin d'assurer la sécurité du travail avec l'appareil et le fonctionnement fiable de celui-ci, toutes les opérations de réparation, d'entretien et de réglage (y compris la vérification de l'état des balais et leur remplacement) doivent être effectuées dans les centres d'entretien agréés de SPARKY avec l'utilisation exclusive de pièces d'origine.

Garantie

La période de garantie des outils électroportatifs SPARKY est définie dans le contrat de garantie. La garantie ne couvre pas les pannes apparues suite à l'usure naturelle, une surcharge ou une mauvaise exploitation.

Les pannes survenues pour cause de matériaux défectifs et/ou d'erreurs de fabrication seront réparées gratuitement ou le produit sera échangé.

Les réclamations pour un instrument SPARKY défectueux seront honorées si la machine est retournée au livreur ou est présentée à un service après-vente agréé assemblé et dans son état original (assemblée).

Notes

Lisez attentivement toute cette instruction d'utilisation avant de commencer à vous servir de l'outil. Le producteur retient son droit d'améliorer ses produits et de changer les spécifications sans avis spécial. Les spécifications peuvent varier selon le pays.

Indice

Introduzione	37
Dati tecnici	39
Istruzioni generali di sicurezza nel lavoro con elettroutensili	40
Istruzioni supplementari di sicurezza nel lavoro con smerigliatrici angolari	41
Prendere visione dell'elettroutensile	A/45
Istruzioni per l'uso	B/45
Manutenzione	48
Garanzia	48

DISIMBALLO

Prima dell'uso verificare la presenza di tutti i componenti e degli accessori elencati. In caso di mancanze o apparenti difetti rivolgersi al rivenditore specializzato. L'inosservanza di tale raccomandazione potrebbe provocare gravi incidenti.

ASSEMBLAGGIO

La smerigliatrice angolare viene fornita imballata e completamente montata, ad eccezione del riparo e dell'impugnatura supplementare.

Introduzione

Questo utensile SPARKY supererà le Vostre aspettative. La produzione secondo i rigorosi standard di qualità SPARKY assicura un'ottima prestazione. Se utilizzato correttamente, l'utensile risulterà maneggevole e sicuro, e garantirà un uso duraturo.

AVVERTENZA:



Leggere attentamente tutte le istruzioni prima dell'utilizzo dell'utensile. Leggere con cura soprattutto le parti introdotte da "Attenzione!". Questo utensile SPARKY presenta numerose caratteristiche che faciliteranno il Suo lavoro. Sicurezza, qualità ed affidabilità sono punti chiave nello sviluppo di questo utensile, e lo rendono semplice nell'uso e nella manutenzione.



Non smaltire elettroutensili insieme a rifiuti domestici!

Residui di prodotti elettrici devono essere smaltiti separatamente dai rifiuti domestici e sottoposti ad un riciclaggio ecologico. Si prega di informarsi presso le autorità locali o i rivenditori specializzati circa il più vicino luogo di raccolta.

RISPETTO DELL'AMBIENTE



Macchina, accessori ed imballaggio devono essere destinati ad una riutilizzazione ecologica per il recupero di materie prime.

I componenti in plastica sono contrassegnati per relativo riciclaggio.

SIMBOLI

L'etichetta che si trova sulla macchina contiene alcuni simboli. Questi forniscono importanti informazioni sull'utensile o istruzioni sull'uso dello stesso.



Doppio isolamento per una protezione supplementare



Filettatura di attacco dell'alberino M14



Corrisponde alle direttive europee applicabili.



Corrisponde alle esigenze dei regolamenti dell'unione doganale.



Prendere conoscenza delle istruzioni per l'uso



Indossare sempre occhiali protettivi

YYYY-Www Periodo di produzione, ove i simboli variabili sono:
YYYY – l'anno di produzione,
ww – la settimana di calendario consecutiva

M, MA, MB, MBA Smerigliatrice angolare.

Dati tecnici

Modello	M2000 HD	MA2000 HD	M2200 HD	MA2200 HD	M2400 HD	MA2400 HD	MB2600P HD	MBA2600P HD
	MB2000P HD	MBA2000P HD	MB2200P HD	MBA2200P HD	MB2400P HD	MBA2400P HD		
Potenza assorbita	2000 W	2000 W	2200 W	2200 W	2400 W	2400 W	2600 W	2600 W
Numero di giri nominale	8500 min ⁻¹	6600 min ⁻¹	8500 min ⁻¹	6600 min ⁻¹	8500 min ⁻¹	6600 min ⁻¹	8500 min ⁻¹	6600 min ⁻¹
Filettatura di attacco dell'alberino	M14	M14	M14	M14	M14	M14	M14	M14
Lunghezza della filettatura dell'alberino	20 mm	20 mm	20 mm	20 mm	20 mm	20 mm	20 mm	20 mm
Diametro interno della mola	22.23	22.23	22.23	22.23	22.23	22.23	22.23	22.23
Diametro massimo della mola	180 mm	230 mm	180 mm	230 mm	180 mm	230 mm	180 mm	230 mm
Spessore massimo della mola	10 mm	10 mm	10 mm	10 mm	10 mm	10 mm	10 mm	10 mm
Peso (la procedura EPTA 01/2014)	5.4 kg	5.6 kg	5.3 kg	5.5 kg	6.0 kg	6.2 kg	6.1 kg	6.3 kg
	5.4 kg	5.6 kg	5.3 kg	5.5 kg	6.0 kg	6.2 kg		
Classe di protezione (EN 60745-1)	II	II	II	II	II	II	II	II

INFORMAZIONI SUL RUMORE E SULLE VIBRAZIONI

I valori sono stati misurati conformemente all'EN 60745.

Emissione acustica

A-livello di pressione sonora

ponderata L_{pa} 91 dB(A) 91 dB(A) 92 dB(A) 92 dB(A) 92 dB(A) 92 dB(A) 92 dB(A) 92 dB(A)

Indetermina-

zione K_{pa} 3.0 dB 3.0 dB 3.0 dB 3.0 dB 3.0 dB 3.0 dB 3.0 dB 3.0 dB

A-livello di potenza sonora

ponderata L_{wa} 102 dB(A) 102 dB(A) 103 dB(A) 103 dB(A) 103 dB(A) 103 dB(A) 103 dB(A) 103 dB(A)

Indetermina-

zione K_{wa} 3.0 dB 3.0 dB 3.0 dB 3.0 dB 3.0 dB 3.0 dB 3.0 dB 3.0 dB

Usare mezzi per protezione dal rumore!

Emissione di vibrazioni *

Valore totale delle vibrazioni (somma vettoriale lungo i tre assi), determinato conformemente alla norma EN 60745:

Smerigliatura di superfici

Valore delle vibrazioni

emesse a_{h,AG} 5.1 m/s² 5.1 m/s² 5.0 m/s² 5.0 m/s² 4.9 m/s² 4.9 m/s² 5.0 m/s² 5.0 m/s²

Indetermina-

zione K_{h,AG} 1.5 m/s² 1.5 m/s² 1.5 m/s² 1.5 m/s² 1.5 m/s² 1.5 m/s² 1.5 m/s² 1.5 m/s²

Smerigliatura con carta vetrata

Valore delle vibrazioni

emesse a_{h,DS} 5.4 m/s² 5.4 m/s² 5.4 m/s² 5.4 m/s² 5.4 m/s² 5.4 m/s² 5.4 m/s² 5.4 m/s²

Indetermina-

zione K_{h,DS} 2.0 m/s² 2.0 m/s² 1.5 m/s² 1.5 m/s² 1.5 m/s² 1.5 m/s² 2.0 m/s² 2.0 m/s²

* Le vibrazioni sono state determinate conformemente al punto 6.2.7 della norma EN 60745.

Il livello di vibrazione sopra indicato è stato definito seguendo il metodo di misurazione riportato nella normativa EN 60745 e può essere utilizzato per confrontare tra di loro diversi elettrotensili. Inoltre è adatto per effettuare una stima provvisoria del livello di esposizione.

Il livello di vibrazione si riferisce alle modalità d'uso principali dell'utensile. Tuttavia, se utilizzato per scopi diversi da quelli previsti, con punte poco stabili o senza adeguata manutenzione, il livello di vibrazione può variare. Ciò può aumentare sensibilmente il livello di esposizione durante il lavoro.

Per una precisa definizione del livello di esposizione dovrebbe essere preso in considerazione anche l'arco di tempo in cui l'utensile è spento o funzionante ma non in uso. Ciò può ridurre sostanzialmente il livello di esposizione durante il lavoro.

Utilizzare l'utensile e gli accessori con cura, e maneggiarlo mantenendo le mani calde così da ridurre gli effetti dannosi dell'elevato livello di vibrazioni.

Polvere derivante da materiali come vernici contenenti particelle di piombo, alcuni tipi di legno, minerali e metallo potrebbe essere nociva. Il contatto o l'inalazione di tali polveri potrebbe causare reazioni allergiche e/o problemi al sistema respiratorio dell'utente o di terzi.

Talune tipologie di polveri, come ad esempio quella derivante da legno di quercia o faggio, soprattutto se trattati con additivi e conservanti, sono classificate come cancerogene. Si consiglia di fare trattare materiali contenenti asbesto solo a persone esperte.

- Se possibile collegare sempre la macchina ad un dispositivo di aspirazione.
- Tenere l'area di lavoro ben pulita e ventilata.
- Si consiglia l'uso di una mascherina o filtro di classe P2.

Osservare le direttive nazionali relative al materiale da lavorare.

Tutti i modelli con l'indice A nella designazione del tipo indicano il diametro massimo dell'utensile di Ø230mm. Nella mancanza di questo simbolo il diametro massimo dell'utensile è Ø180mm.

Tutti i modelli con l'indice B hanno un dispositivo elettronico integrato, che assicura un'accelerazione dolce fino a raggiungere il numero nominale dei giri, e la limitazione della corrente di avviamento fino a 16 A.

Tutti i modelli con l'indice P nella designazione del tipo, possiedono un blocco contro l'avviamento involontario ad una caduta momentanea della tensione, o al disinnesto della spina per oltre 0,5 s, l'elettrotensile rimane disinserito e può essere avviato soltanto dopo che sia spento e poi riacceso l'interruttore ON/OFF. Nella mancanza di questo simbolo l'interruttore ON/OFF non ha bloccaggio nella posizione inserita. (Il funzionamento di questa protezione è descritto nella sezione "Istruzioni per l'uso").

Istruzioni generali di sicurezza nel lavoro con elettrotensili



AVVERTENZA! Leggere tutte le istruzioni d'uso e le avvertenze di sicurezza. L'inosservanza delle istruzioni seguenti può causare folgorazioni, incendi e/o gravi danni a persone.

Conservare con cura queste istruzioni.

Il termine "utensile" in tutte le avvertenze successive si riferisce sia agli utensili collegati alla rete elettrica (con cavo di alimentazione) che agli utensili a batteria (senza cavo).

1) Area di lavoro

- Mantenere l'area di lavoro pulita e ben illuminata.** Le zone buie ed ingombre di oggetti favoriscono incidenti.
- Non utilizzare l'utensile in presenza di liquidi infiammabili, gas o polvere.** Le scintille generate potrebbero infiammare polvere e/o vapore.
- Tenere a distanza bambini e terzi durante il funzionamento.** Per una distrazione potreste perdere il controllo dell'utensile.

2) Sicurezza elettrica

- La spina dell'utensile deve essere adattata

alla presa utilizzata. **Non modificare la spina in alcun modo. Non utilizzare adattatori con gli utensili collegati a terra.** L'impiego di una spina integra ed una presa adatta riduce i rischi di folgorazione.

- Evitare di toccare con il corpo le superfici collegate a terra quali tubi, radiatori, forni e frigoriferi.** Il rischio di folgorazione aumenta se il corpo è collegato a terra.
 - Non esporre l'utensile alla pioggia e all'umidità.** La penetrazione d'acqua nell'utensile aumenta il rischio di folgorazione.
 - Non utilizzare il cavo per scopi diversi da quello previsto. Non utilizzare il cavo per trasportare o tirare l'utensile, oppure per staccare la spina dalla presa. Tenere il cavo lontano da fonti di calore, olio, parti appuntite o in movimento.** Cavi danneggiati o attorcigliati aumentano il rischio di folgorazione.
 - Se l'utensile viene utilizzato all'aperto, usare una prolunga adatta all'uso esterno. L'impiego di una prolunga da esterno riduce il rischio di folgorazione.
 - Se il lavoro in un ambiente umido è strettamente necessario, utilizzare una presa protetta da dispositivo a corrente residua. Ciò riduce i rischi di scosse.
- ### 3) Sicurezza personale
- L'uso di elettrotensili richiede attenzione e buon senso. Non utilizzare gli utensili se si è stanchi o sotto l'effetto di droghe, alcol o medicinali. Una breve di-

sattenzione può provocare gravi danni alle persone.

- b) **Munirsi di indumenti e dispositivi di protezione. Indossare sempre occhiali da lavoro. L'uso di dispositivi di protezione tra cui mascherina antipolvere, scarpe antiscivolo, casco e protezioni per l'udito riduce il rischio di danni a persone.**
 - c) **Evitare l'accensione accidentale. Accertarsi che l'interruttore sia in posizione "OFF" prima di inserire la spina. Se si trasportano gli utensili con il dito sull'interruttore o si inserisce la spina nella presa con l'interruttore in posizione "ON" aumenta il rischio di incidenti.**
 - d) **Togliere tutte le chiavi di regolazione prima di accendere l'utensile. Una chiave lasciata inserita in una parte rotante di un utensile può provocare danni a persone.**
 - e) **Non utilizzare l'utensile in condizioni estreme. Mantenere sempre l'equilibrio ed i piedi ben appoggiati a terra. Questo consente un maggior controllo dell'utensile in caso di imprevisti.**
 - f) **Indossare un abbigliamento adeguato. Non indossare abiti svolazzanti o gioielli. Tenere capelli, vestiti, e guanti lontani dalle parti in movimento. Abiti svolazzanti, gioielli o capelli potrebbero impigliarsi nelle parti in movimento.**
 - g) **In presenza di apparecchiature per il collegamento a dispositivi di aspirazione e raccolta delle polveri, accertarsi che essi siano collegati ed utilizzarli correttamente. L'uso di queste apparecchiature può ridurre i rischi causati dalla polvere.**
- 4) Uso e manutenzione dell'utensile**
- a) **Utilizzare l'utensile più adatto per il lavoro da svolgere. L'impiego dell'utensile giusto migliora la qualità del lavoro e la sicurezza.**
 - b) **Non utilizzare l'utensile se non è possibile accenderlo e spegnerlo con l'apposito interruttore. Gli utensili che non possono essere controllati con l'interruttore sono pericolosi e devono essere riparati.**
 - c) **Staccare la spina dall'alimentazione di corrente prima di eseguire regolazioni, cambiare accessori o riporre l'utensile. Osservando queste precauzioni si riduce il rischio di accensione accidentale dell'utensile.**
 - d) **Riporre gli utensili non utilizzati fuori dalla portata dei bambini e non consentirne l'utilizzo a persone che non cono-**

scono l'utensile o queste istruzioni. Nelle mani di persone inesperte gli utensili possono diventare pericolosi.

- e) **Sottoporre l'utensile a manutenzione. Verificare il corretto allineamento di tutte le parti mobili, controllare che non siano grippate e che non vi siano rotture o altri guasti che potrebbero influire sul funzionamento dell'utensile. Far riparare gli utensili danneggiati prima di riutilizzarli. Molti incidenti sono causati da utensili in pessime condizioni.**
- f) **Tenere le punte e gli strumenti da taglio puliti ed affilati. Se sottoposti ad una regolare manutenzione e pulizia consentono di lavorare in modo più preciso e sono maggiormente controllabili.**
- g) **Utilizzare l'utensile, gli accessori, gli attrezzi etc. secondo quanto indicato in queste istruzioni nonché tenendo in considerazione le condizioni di lavoro e il lavoro da eseguire. L'impiego di utensili per scopi diversi da quelli per cui sono stati progettati può dare origine a situazioni pericolose.**

5) Manutenzione

- a) **Far riparare l'utensile da personale qualificato che utilizzi solo parti di ricambio originali. In caso contrario la sicurezza dell'utensile potrebbe risultare compromessa.**

Istruzioni supplementari di sicurezza nel lavoro con smerigliatrici angolari

Istruzioni generali di sicurezza nella smerigliatura con mola abrasiva, smerigliatura con carta vetrata, pulizia con spazzola metallica, ed il taglio con mola abrasiva:

- a) **Questo elettroutensile può essere usato come una levigatrice con mola abrasiva, con carta vetrata, con spazzola metallica, lucidatrice e macchina da taglio con mola abrasiva. Leggere tutte le istruzioni di sicurezza e altre, immagini e dati che avete ricevuto con la macchina. Il mancato rispetto delle istruzioni di sicurezza può provocare scossa elettrica, incendio e/o ferimento grave.**

- b) **Questo elettroutensile non è adatto per politura.** Operazioni per le quali l'elettroutensile non è disegnato, possono generare pericolo e provocare ferimento.
- c) **Non usare accessori che non sono permessi e raccomandati dal fabbricante specificamente per questo elettroutensile.** Il fatto che si può fissare l'accessorio al Vostro elettroutensile non garantisce l'uso sicuro.
- d) **Il numero di giri nominale dell'accessorio deve essere almeno uguale a quello massimo indicato sull'elettroutensile.** Accessori che girano con una velocità superiore alla loro velocità nominale, potrebbero rompersi e i loro pezzi volare via.
- e) **Il diametro esterno e lo spessore dell'utensile devono rientrare nei limiti indicati sul Vostro apparecchio elettrico.** Accessori con dimensioni inconvenienti non possono essere protetti o guidati bene.
- f) **Accessori con filetto riportato devono essere adatti in modo preciso alla filettatura dell'alberino.** Negli accessori che vengono montati tramite flangia, il diametro del foro dell'accessorio deve corrispondere al diametro di alloggiamento della flangia. Accessori che non vengono fissati in modo preciso all'elettroutensile non ruotano in modo uniforme, vibrano molto forte e possono provocare la perdita del controllo.
- g) **Non usare accessori guasti.** Verificare prima di ogni impiego gli accessori – i dischi abrasivi per frastagliature e incrinature, i dischi elastici per incrinature, lacerazione o forte logorio, le spazzole metalliche per fibre allentate o rotte. Se l'elettroutensile o l'accessorio viene lasciato cadere, controllare per danneggiamento o montare l'accessorio non danneggiato. Avendo controllato e montato l'accessorio, mettersi insieme alle persone estranee fuori del piano di rotazione dell'accessorio e lasciare l'elettroutensile funzionare a giri massimi a vuoto per un minuto. Di solito questo tempo è sufficiente per gli accessori guasti di rompersi.
- h) **Indossare mezzi personali di protezione.** A seconda del caso concreto, usare uno scudo protettivo per la faccia, od occhiali protettivi. Usare se necessario maschera antipolvere, mezzi per protezione dell'udito, guanti protettivi o un grembiule speciale, per trattenere le particelle provenienti dall'accessorio di smerigliatura o dal pezzo da lavorare. I mezzi per protezione degli occhi devono proteggere dai frammenti volanti risultanti dalle diverse operazioni. Le maschere antipolvere o antigas devono filtrare le particelle emanate durante il lavoro. L'esposizione continuativa a forte rumore può provocare perdita dell'udito.
- i) **Tenere le persone estranee a distanza sicura dall'area del lavoro.** Ogni individuo che si trova nell'area del lavoro deve indossare mezzi personali di protezione. È possibile che frammenti volanti provenienti dal pezzo da lavorare o da un accessorio rotto causino ferimento anche fuori dai limiti dall'immediata area di lavoro.
- j) **Tenere l'elettroutensile soltanto per le zone isolate appositamente per essere tenute durante l'esecuzione di un'operazione, nella quale l'accessorio di taglio potrebbe toccare un impianto elettrico nascosto o il proprio cordone.** Il contatto dell'accessorio di taglio a conduttore sotto tensione metterà le parti metalliche aperte dell'elettroutensile sotto tensione e l'operatore subirà una scossa elettrica.
- k) **Tenere il cavo di alimentazione fuori della portata operativa dell'accessorio girante.** Se si perde il controllo dell'elettroutensile, il cavo di alimentazione potrebbe essere tagliato, o intricare il polso o la mano nella portata dell'utensile girante.
- l) **Non posare mai l'elettroutensile prima che l'accessorio abbia completamente smesso di girare.** L'accessorio girante potrebbe impigliare il materiale lavorato e farvi perdere il controllo dell'elettroutensile.
- m) **Non lasciare l'elettroutensile in funzionamento mentre viene portato.** Un tocco casuale dell'accessorio girante agli indumenti potrebbe impigliarli e l'accessorio potrebbe ferire il vostro corpo.
- n) **Pulire regolarmente i fori di ventilazione dell'elettroutensile.** Il ventilatore del motore elettrico succhia polvere nella carcassa, e l'ammassamento eccessivo di polvere metallica può causare pericolo di scossa elettrica.
- o) **Non usare l'elettroutensile in vicinanza di materiali infiammabili.** Le scintille possono accendere tali materiali.
- p) **Non usare accessori il lavoro con i quali**

richiede mezzi liquidi refrigeranti. *L'uso di acqua o altri mezzi liquidi refrigeranti potrebbe causare lesione o scossa elettrica.*

- **Usare l'elettrotensile soltanto secondo la sua destinazione d'uso.** Ogni altro impiego, differente da quello descritto in queste istruzioni, sarà considerato impiego erraneo. *La responsabilità per qualsiasi guasto o ferimento che risulta da uso erraneo, cadrà sull'utente, e non sul fabbricante.*
- **Il fabbricante non sarà tenuto responsabile per modifiche apportate dall'utente all'elettrotensile, o per guasti causati da tali modifiche.**
- **Al lavoro in un ambiente polveroso mantenere puliti i fori di ventilazione della macchina.** Se devono essere puliti dalla polvere, disinnescare prima l'alimentazione elettrica e usare oggetti non metallici per pulire la polvere, stando attenti di non danneggiare i pezzi interni della macchina. *L'elettrotensile sarà sovrariscaldato con raffreddamento diminuito a causa dei fori di ventilazione impolverati.*
- **Non usare l'elettrotensile all'aperto quando piove, in un ambiente umido (dopo una pioggia), o in vicinanza di liquidi o gas facilmente infiammabili.** *Mantenere il posto di lavoro ben illuminato.*

Altre istruzioni di sicurezza per tutte le operazioni

Rimbalzo (contraccolpo) e le istruzioni di sicurezza relative ad esso

Il rimbalzo è la reazione subitanea in seguito ad un incastro o bloccaggio di accessorio, per esempio un disco abrasivo, disco elastico, spazzola metallica, ecc. L'incastro o bloccaggio cagiona l'improvviso arresto della rotazione dell'accessorio, che da parte sua spinge l'elettrotensile incontrollabile nella direzione contraria al senso di rotazione dell'utensile nel punto d'incastro.

Per esempio se il disco abrasivo si incastra o si blocca nel pezzo da lavorare, lo spigolo del disco abrasivo, il quale è incuneato nel pezzo da lavorare, si inceppa e in seguito a ciò il disco può rompersi o causare rimbalzo. Il disco abrasivo rimbalza verso o dall'operatore, a seconda del senso di rotazione del disco nel punto del bloccaggio. A queste circostanze è possibile che i dischi abrasivi si rompano.

Il rimbalzo è il risultato di uso erraneo e/o operazione erronea, o improprie condizioni di lavoro

con l'elettrotensile, che si potrebbe prevenire attraverso le precauzioni adatte, descritte qui di seguito.

- a) **Tenere l'elettrotensile saldamente con entrambe le mani, occupare un atteggiamento appropriato, e mettere le mani di modo che si possa trattenere la forza del rimbalzo.** Usare sempre l'impugnatura supplementare, se l'elettrotensile ne è munito, per avere il maggiore controllo possibile della forza del rimbalzo, o del momento reattivo all'inserimento. *Attraverso le precauzioni adatte l'operatore può contenere il momento reattivo ed il rimbalzo.*
- b) **Non mettere mai le mani in prossimità dell'accessorio rotante.** *L'accessorio potrebbe balzare sulla vostra mano.*
- c) **Non mettersi entro il raggio in cui l'elettrotensile avrebbe avanzato ad un rimbalzo.** *Il rimbalzo muove l'elettrotensile nel senso contrario al movimento del disco, nel punto di bloccaggio.*
- d) **Nel trattare angoli, spigoli acuti, ecc., lavorare con attenzione aumentata. Non permettere all'accessorio di balzare o di bloccarsi nel pezzo lavorato.** *Nella lavorazione di angoli o spigoli acuti esiste la probabilità per l'accessorio rotante di incurinarsi, causando così la perdita di controllo o rimbalzo.*
- e) **Non impiegare dischi a catena o dischi per sega circolare usata nella lavorazione di legname.** *Tali accessori causano spesso un rimbalzo o la perdita di controllo dell'elettrotensile.*
 - **Fissare il pezzo da lavorare in una morsa o in qualche altro modo conveniente.**

Istruzioni specifiche di sicurezza nella levigatura e nel taglio con mola abrasiva

- a) **Usare soltanto i tipi di mole consigliate per l'elettrotensile, con riparo previsto per esse.** *Mole per cui l'elettrotensile non è disegnato, non possono essere protette sufficientemente e non sono senza pericolo.*
- b) **Dischi abrasivi piegati a gomito devono essere montati in modo tale che la loro superficie abrasiva non sporga oltre il piano del bordo della cuffia di protezione.** *Un disco abrasivo montato in modo non corretto che sporge dal piano del bordo*

della cuffia di protezione non può essere schermato sufficientemente.

- c) **Fissare il riparo all'elettrotensile in maniera affidabile e posizionarlo in modo che possa provvedere la massima sicurezza, cioè che la minore possibile parte della mola sia aperta all'operatore. Il riparo deve proteggere l'operatore da frammenti, da contatto fortuito con la mola e scintille, le quali potrebbero accendere gli indumenti.**
- d) **Usare le mole soltanto per le applicazioni consigliate. Per esempio non smerigliare mai con la superficie laterale di un disco da taglio. I dischi da taglio sono disegnati ad asportare materiale con il bordo tagliente del disco. L'esercitazione di pressione laterale su un tale disco potrebbe romperlo.**
- e) **Usare sempre flange di serraggio in buono stato, con dimensioni e forma adatte per il disco scelto. Le flange di serraggio selezionate bene serrano il disco e diminuiscono il pericolo che sia rotto. Le flange di serraggio per dischi da taglio possono differire dalle flange di serraggio per dischi di altri tipi.**
- f) **Non usare dischi logorati di elettrotensili più grossi. Il disco per un elettrotensile maggiore non è adatto per il superiore numero di giri di un elettrotensile minore, e potrebbe rompersi.**
- **Osservare sempre il senso di rotazione del disco. La forza reattiva è contraria al senso di rotazione nel posto di smerigliatura o taglio, e potrebbe causare la perdita di controllo dell'elettrotensile.**
 - **Tenere sempre la macchina in modo che le scintille e la polvere causate dalla smerigliatura siano sparse a disparte dal corpo. Gli elettrotensili formano scintille che possono bruciacchiare gli indumenti o parti non protette del corpo.**
 - **Non è ammesso smerigliare o tagliare carpenterie metalliche appena verniciate, prima che la vernice sia essiccata. Esiste il pericolo di accensione di vernice non essiccata.**
 - **Non è ammesso tagliare materiali infiammabili (legno, plastiche, ecc.) e pannelli doppi del tipo a "sandwich" con ripieno combustibile. Esiste il pericolo di scoppio d'incendio.**
 - **Non è ammesso smerigliare o tagliare attrezzature funzionanti sotto pressione. Esiste il pericolo di scoppio di esplosione.**

- **Non è ammesso smerigliare o tagliare serbatoi, tubazioni, apparecchi, ecc., nei quali ci sono o c'erano sostanze o materiali combustibili o facilmente infiammabili, senza prendere le apposite misure di sicurezza contro incendio o esplosione. Esiste il pericolo di scoppio d'incendio o di esplosione.**

Istruzioni specifiche di sicurezza nel taglio con mola abrasiva

- a) **Non permettere al disco da taglio di incunearsi, ed evitare di applicare troppa pressione. Non cercare di fare tagli troppo profondi. Il sovraccarico del disco da taglio aumenta la sua usura e suscettibilità di torsione o bloccaggio, e dunque la possibilità di rimbalzo o rottura del disco.**
- b) **Non mettersi nell'area davanti o dietro il disco da taglio. Se il disco da taglio nel posto del taglio si allontana dal Vostro corpo, l'eventuale rimbalzo spingerebbe l'elettrotensile con la mola girante proprio contro Voi.**
- c) **Se il disco da taglio si è incuneato, o se comunque si interrompe il lavoro, disinserire l'elettrotensile e tenerlo immobile finché il disco non smetta definitivamente di girare. Non cercare mai di estrarre dal taglio il disco che sta ancora girando, altrimenti si provocherà rimbalzo. Scoprire e rettificare la ragione per l'incastro.**
- d) **Non reinserire mai l'elettrotensile, finché il disco da taglio si trova ancora nel pezzo da lavorare. Lasciare il disco da taglio di raggiungere i pieni giri prima di introdurlo attentamente nel taglio. Altrimenti il disco potrebbe incastrarsi, scivolare via dal pezzo lavorato, o balzare.**
- e) **Provvedere di sostegni supplementari le lastre o i pezzi di dimensioni grosse, per ridurre il rischio di incastro o rimbalzo. I pezzi da lavorare con grosse dimensioni diventano cascanti nella metà a causa del proprio peso. Il pezzo deve essere sostenuto di entrambi i lati del disco, sia in vicinanza del taglio, sia nelle estremità del pezzo.**
- f) **Stare particolarmente cauti nel tagliare scanalature in pareti esistenti o altre superfici murate. Il disco prominente potrebbe tagliare condutture di gas o acqua, impianto elettrico o altre strutture, provocando così un rimbalzo.**

Istruzioni specifiche di sicurezza nella levigatura con carta vetrata

- a) **Non usare fogli di carta vetrata troppo grossi, osservare le istruzioni del costruttore sulle dimensioni della carta vetrata.** *Foglio di carta vetrata che sporge dal disco elastico, viene sottoposto al pericolo di lacerazione e può causare bloccaggio, lo squarcio della carta vetrata, o rimbalzo.*

Istruzioni specifiche di sicurezza nel lavoro con spazzole metalliche

- a) **Tenere presente che anche a lavoro normale dalla spazzola metallica cadono fibre metalliche. Non sovraccaricare le fibre premendo troppo forte la spazzola.** *Le fibre metalliche che si staccano penetrano facilmente attraverso indumenti sottili e/o nella pelle.*
- b) **Se nel lavoro con spazzola metallica si consiglia l'impiego di riparo, non permettere al riparo e alla spazzola metallica a disco o a tazza di toccarsi.** *Le spazzole metalliche a disco o a tazza possono aumentare il proprio diametro sotto l'effetto della pressione durante il lavoro e delle forze centrifughe.*

Prendere visione dell'elettrotensile

Prima di cominciare a lavorare con l'elettrotensile, prendere conoscenza di tutte le caratteristiche operative e norme di sicurezza. Impiegare l'elettrotensile e i suoi accessori solo per la loro destinazione d'uso. Qualsiasi altra applicazione è espressamente vietata.

1. Alberino
- 2.1. Mola abrasiva
(Usarla soltanto con il riparo per mola abrasiva!)*
- 2.2. Disco da taglio (Usarlo soltanto con il riparo per disco da taglio!)*
- 3.1. Riparo per mola abrasiva
- 3.2. Riparo per disco da taglio*
4. Flangia d'appoggio
5. Flangia di serraggio
6. Impugnatura supplementare
7. Interruttore ON/OFF
8. Pulsante per il blocco dell'interruttore
9. Pulsante per il blocco dell'alberino

ACCESSORI CHE POSSONO ESSERE USATI CON QUESTO ELETTROTENSILE

10. Spazzola metallica*
11. Disco in plastica (in gomma)*
12. Foglio di carta vetrata*
13. Dado speciale*

* Gli accessori supplementari riportati nelle figure o descritti nelle istruzioni per l'uso, non rientrano nella dotazione.

Istruzioni per l'uso

Questi elettrotensili vengono alimentati soltanto di corrente alternata monofase. Si possono inserire in prese senza piattine di massa, avendo un isolamento doppio conformemente all'EN 60745 e all'IEC 60745-1. I disturbi radio corrispondono alla Direttiva sulla compatibilità elettromagnetica.

Questo elettrotensile è destinato al taglio, alla levigatura e spazzolatura innanzitutto di metalli, senza l'uso di acqua.

PRIMA DI COMINCIARE IL LAVORO

- La macchina può avere il riparo montato in fabbrica. Convincersi che il riparo sia montato correttamente e fissato in maniera affidabile, prima del primo utilizzo e di ogni utilizzo successivo.
- La macchina può avere la mola montata in fabbrica. Convincersi che la mola sia montata correttamente e fissata in maniera affidabile, prima del primo utilizzo e di ogni utilizzo successivo.
- Accertarsi che la tensione della rete elettrica corrisponde a quella riportata sulla targhetta con i dati tecnici dell'elettrotensile.
- Verificare in quale posizione si trova l'interruttore ON/OFF. L'elettrotensile deve essere innestato nella presa o disinnestato dalla rete di alimentazione soltanto ad interruttore disinserito. Se la spina viene innestata nella presa quando l'interruttore è in posizione inserita, l'elettrotensile si metterà immediatamente in moto, il quale fatto comporta un infortunio.
- Accertarsi del buono stato del cordone e della spina. Se il cordone è guasto, la sostituzione va effettuata dal costruttore o da un suo specialista di centro assistenza, per evitare i pericoli della sostituzione.



ATTENZIONE: Spegnerne sempre l'elettrotensile e tirare la spina dalla presa prima di effettuare qualsiasi regolazione, riparazione o manutenzione, o all'abbassamento della tensione di alimentazione.

- Utilizzando mole da taglio diamantate, accertarsi che la freccia indicante il senso di rotazione applicata sulla mola da taglio diamantata corrisponda al senso di rotazione dell'elettrotensile (vedere freccia indicante il senso di rotazione applicata sulla testata ingranaggi).
- Controllare che il diametro e lo spessore del disco non siano maggiori di quelli indicati nei dati tecnici. La velocità periferica ammissibile segnata sul disco non deve essere inferiore a 80 m/s. Preservare i dischi conformemente alle istruzioni del loro produttore.
- Se l'area del lavoro è lontana dalla fonte di alimentazione, usare una prolunga che sia la più corta possibile, con sezione adatta.
- Verificare che l'impugnatura supplementare sia montata correttamente e serrata in maniera affidabile.

AVVIAMENTO-ARRESTO

La smerigliatrice è assicurata contro avviamento involontario.

- **Avviamento:** spingere all'inizio in avanti il pulsante ausiliario 8 sul lato inferiore dell'impugnatura, e quindi premere la leva principale dell'interruttore ON/OFF 7. Per un lavoro continuativo l'interruttore ON/OFF 7 può essere bloccato (soltanto per i modelli con l'indice P). In questo caso con il pulsante dell'interruttore ON/OFF 7 premuto, premere il pulsante 8, e quindi rilasciare la leva.
- **Arresto:** rilasciare l'interruttore ON/OFF 7, e quando questo è bloccato – prima premerlo e poi rilasciarlo.

Nel caso di interruzione della corrente elettrica nella rete (o della sua caduta momentanea per un tempo $t > 0,5s.$), con l'interruttore ON/OFF dell'elettrotensile fissato nella posizione inserita, quando l'alimentazione dalla rete viene ripresa, l'elettrotensile deve non funzionare (non avviarsi). Per far riprendere il funzionamento normale all'elettrotensile in tale caso occorre impostare l'interruttore di rete su OFF, e quindi reinserirlo su ON.

RIPARO DEL DISCO



ATTENZIONE: Il riparo 3.1 per mola abrasiva, o il riparo 3.2 per disco da taglio (rispettivamente per la mola abrasiva 2.1 o il disco da taglio 2.2) deve stare sempre montato sulla macchina!



ATTENZIONE: Prima di effettuare le seguenti operazioni, la macchina deve essere disinnestata dall'alimentazione della rete attraverso la spina.

Montare il riparo (Fig. 1)

- Girare l'anello nero in plastica (Fig. 2a) di modo che la fessura S dell'anello collimi con la tacca, dove entra il dente della leva bloccante L.
- Mettere il riparo in posizione non operativa (Fig. 2a), di modo che i quattro denti collimino con le quattro tacche nella sede del cuscinetto (Fig. 2b).
- Premere la leva bloccante L (Fig. 3) fino allo sblocco.
- Premere il riparo in giù e girarlo alla posizione operativa desiderata (Fig. 4).
- Rilasciare la leva bloccante L fino a posizione stabile, nella quale il riparo si blocchi (il dente della leva bloccante casca in uno degli intagli del riparo).

Girare il riparo in una nuova posizione operativa

- Premere la leva bloccante L (Fig. 3) fino allo sblocco.
- Girare il riparo nella posizione operativa desiderata.
- Rilasciare la leva bloccante L fino a posizione stabile, nella quale il riparo si blocchi (il dente della leva bloccante casca in uno degli intagli del riparo).

Rimuovere il riparo

- Premere la leva bloccante L (Fig. 3) fino allo sblocco.
- Girare il riparo in posizione non operativa (Fig. 2a), di modo che i quattro denti collimino con le quattro tacche nella sede del cuscinetto (Fig. 2b).
- Estrarre il riparo.

SOSTITUZIONE DEL DISCO



ATTENZIONE: Prima di effettuare le seguenti operazioni, la macchina deve essere disinnestata dall'alimentazione della rete attraverso la spina.

Fissare l'alberino 1 della smerigliatrice. Per tutti i modelli ciò si esegue premendo il pulsante 9, che si trova sulla scatola di riduzione della macchina.



ATTENZIONE: Non è ammesso premere il pulsante 9 mentre l'alberino gira.

- A pulsante premuto l'alberino gira nel senso contrario a quello segnato sul riparo 3, fino ad affondarsi distintamente. Svitare la flangia di serraggio 5 con una chiave speciale. Mettere il disco nuovo sulla flangia d'appoggio 4 con le scritte in su, e avvitare la flangia di serraggio 5 con la chiave speciale. Usare le rondelle di supporto in carta, se il disco ne è munito. Se il disco ha uno spessore fino a 6 mm, mettere la flangia di serraggio con il lato piatto verso il disco, e se lo spessore del disco è superiore a 6 mm, mettere la flangia di serraggio 5 all'alberino di modo che il piede della flangia di serraggio entri nel foro del disco. Dopo la sostituzione del disco mettere in moto la macchina a funzionare con il nuovo disco per circa un minuto senza carico. I dischi vibranti o giranti irregolarmente vanno subito sostituiti.
- Avvitare la spazzola metallica 10 direttamente all'alberino 1 con l'ausilio di una chiave meccanica. Controllare che la lunghezza della filettatura della spazzola sia abbastanza lunga, da poter coprire la filettatura dell'alberino.
- La smerigliatura con carta vetrata va effettuata con un disco in plastica (in gomma) 11, sotto il quale si mette un foglio di carta vetrata 12. Mettere il disco in plastica 11 sulla flangia d'appoggio 4 e serrarlo con il dado speciale 13, che esso ha in dotazione. Se si usa un disco di lavoro con flangia incassata, allora esso va avvitato direttamente all'alberino senza usare la flangia di serraggio 5, con l'ausilio di una chiave meccanica. Il disco con flangia incassata può essere in spugna contenente resina, in poliuretano espanso con un inserto portante in plastica, nel quale è incassata la flangia, mentre il foglio stesso di carta vetrata si attacca al disco in poliuretano espanso mediante un sistema "incollante". Dopo la

sostituzione del disco mettere la macchina in moto con il nuovo disco per circa un minuto senza carico. Sostituire subito i dischi vibranti o giranti irregolarmente.

IMPUGNATURA SUPPLEMENTARE

(Fig. 5)

Di norma l'impugnatura supplementare 6 si avvia sul lato sinistro della macchina. Essa si può avvitare anche sul lato destro, se così risulta più comoda all'operatore. Le macchine hanno una terza sede con filettatura per il fissaggio dell'impugnatura supplementare. L'impugnatura supplementare di questi modelli è legata alla carcassa della macchina mediante elementi per smorzamento delle vibrazioni, proteggendo così l'operatore e diminuendo la stanchezza nel lavoro.

GIRARE LA CARCASSA DELLA MACCHINA

La carcassa della macchina può essere girata a 90°. Questo si fa quando la macchina si usa innanzitutto per tagliare. In tale caso la girata della carcassa va effettuata in un centro assistenza autorizzato per gli elettrotensili manuali SPARKY.

CONSIGLI

Non applicare pressione nel lavoro con un disco da taglio, non muovere il disco trasversalmente al taglio. Lavorare con avanzamento moderato, adatto per il materiale trattato.

È importante la direzione nella quale si taglia. La macchina deve andare avanti nella direzione contraria al senso di rotazione del disco. Altrimenti si corre il rischio che il disco esca incontrollato fuori dal taglio. (Fig. 6)

Nel tagliare profilati o tubi di sezione rettangolare, si consiglia di iniziare il taglio dal lato più piccolo.

Nella levigatura non premere la macchina sulla superficie lavorata, e muovere invece il disco dolcemente avanti e indietro. Trattare i metalli leggeri con dischi speciali. Il risultato migliore in smerigliatura grossa si ottiene con un'inclinazione di 30° - 40° tra il disco e la superficie lavorata (Fig. 7). Nella smerigliatura grossa non è ammesso l'uso di dischi da taglio. Non si consiglia l'uso di dischi con lo spessore oltre a 10 mm.

Manutenzione



ATTENZIONE: Spegnerne sempre l'elettrotensile e tirare la spina dalla presa prima di effettuare qualsiasi controllo o manutenzione.

SOSTITUZIONE DELLE SPAZZOLE

L'elettrotensile è munito di spazzole che si disintegrano automaticamente. Quando diventano logore, le due spazzole devono essere sostituite simultaneamente con spazzole originali in un centro assistenza SPARKY per manutenzione in garanzia e fuori garanzia.

CONTROLLI GENERICI

Controllare regolarmente tutti gli elementi di fissaggio ed accertarsi che siano saldamente assicurati. Nel caso in cui qualche vite si è allentata, stringerla subito, per evitare situazioni di rischio.

Se il cavo di alimentazione è guasto, la sostituzione deve essere fatta dal costruttore o da un suo specialista di centro assistenza, per ovviare ai pericoli relativi alla sostituzione.

PULIZIA

Per un lavoro sicuro mantenere sempre puliti la macchina e i fori di ventilazione. Verificare regolarmente che non siano penetrati polvere o corpi estranei nella griglia di ventilazione vicino al motore elettrico o intorno ai commutatori. Usare una spazzola soffice per rimuovere la polvere ammassata. Per proteggere gli occhi durante la pulizia, portare occhiali di protezione.

Se la carcassa della macchina necessita la pulizia, spolverarla con un canovaccio morbido e umido. Si può usare un debole detergente.



ATTENZIONE: Non è ammesso l'uso di alcole, benzina o altri solventi. Non adoperare mai preparati attaccanti per la pulizia delle parti plastiche.



ATTENZIONE: Non è ammessa l'entrata di acqua in contatto con la macchina.

IMPORTANTE! Per provvedere al lavoro sicuro con l'elettrotensile, e alla sua affidabilità, tutte le attività relative alla riparazione, la manutenzione e la regolazione (ivi incluse la verifica e la sostituzione delle spazzole) si devono effettuare nei centri assistenza autorizzati SPARKY, usando soltanto pezzi di ricambio originali.

Garanzia

Il periodo di garanzia per gli utensili SPARKY ha validità a partire dalla data di acquisto ed è conforme alle normative europee.

Non sono coperti da garanzia danni derivanti da usura, sovraccarico o uso improprio.

L'azienda produttrice assicura la sostituzione di tutte le parti non funzionanti in cui si riconoscano difetti di materiale e/o di lavorazione.

Le prestazioni di garanzia saranno erogate solo se la macchina richiesta sarà inviata in condizioni integre al rivenditore o ad un centro di assistenza, accompagnata dallo scontrino fiscale.

Ulteriori informazioni

Leggere attentamente tutte le istruzioni prima di iniziare a lavorare con l'utensile.

L'azienda produttrice si riserva il diritto di apportare modifiche tecniche senza preavviso.

Le specifiche tecniche possono variare da paese a paese.

Contenido

Introducción	49
Datos técnicos	51
Instrucciones generales de seguridad al operar con herramientas eléctricas	52
Instrucciones adicionales de seguridad al operar con esmeriladoras angulares	54
Componentes principales de la herramienta eléctrica	A/58
Instrucciones para la operación	B/58
Mantenimiento	60
Garantía	61

DESENVASE

En conformidad con las tecnologías de grandes series generalmente aceptadas, es poco probable que su herramienta eléctrica sea defectuosa o que le falte alguna pieza. Si observa que algo no está en orden, no opere con la herramienta eléctrica hasta que su pieza dañada no haya sido sustituida o su defectuosidad no haya sido eliminada. El incumplimiento de esta recomendación puede conducir a un accidente de trabajo grave

ENSAMBLAJE

La esmeriladora angular se suministra envasada y ensamblada, salvo el dispositivo de seguridad y el asidero adicional.

Introducción

La herramienta eléctrica SPARKY que acaba de adquirir superará sus expectativas. Ha sido fabricada conforme a las altas normas de calidad de SPARKY que responden a las exigencias más rigurosas del usuario. Su mantenimiento es fácil y es segura a la hora de explotarse. Si se usa correctamente, esta herramienta eléctrica le servirá con fiabilidad durante largos años.

¡ADVERTENCIA!



Lea con atención e íntegramente estas instrucciones de explotación antes de usar la herramienta eléctrica SPARKY que acaba de adquirir. Preste una atención especial a los textos encabezados por la palabra "Advertencia". Su herramienta eléctrica SPARKY posee muchas cualidades que facilitarán su trabajo. Al diseñarse esta herramienta eléctrica, se ha prestado una mayor atención a la seguridad, a las cualidades de explotación y a la fiabilidad que facilitan su mantenimiento y explotación.



¡No tire la herramienta eléctrica junto con los residuos domésticos!

Los residuos de productos eléctricos no deben recogerse junto con los residuos domésticos. Por favor, recíclelos en los lugares destinados a ello. Póngase en contacto con las autoridades locales o con un representante suyo para informarse respecto al reciclaje.

PROTECCIÓN DEL MEDIO AMBIENTE



Con miras a la protección del medio ambiente, esta herramienta eléctrica, sus accesorios y su envase deben someterse a un tratamiento adecuado para reutilizar las materias primas que contienen.

Para facilitar el reciclaje de las piezas fabricadas de materiales artificiales, éstas han sido marcadas de la forma correspondiente.

DESCRIPCIÓN DE LOS SÍMBOLOS

Sobre la placa de características técnicas de la herramienta eléctrica se han marcado símbolos especiales. Éstos facilitan información importante sobre el producto o instrucciones para su manejo.



Doble aislamiento de protección adicional.



Rosca de unión del husillo M14.



Conformidad con las directrices europeas aplicables.



Cumple con las regulaciones de la Unión Aduanera.



Consulte el manual de usuario.



Lleve siempre gafas de protección.

YYYY-Www Período de producción en que los símbolos variables son:
YYYY – año de producción,
ww – semana natural consecutiva

M, MA, MB, MBA Esmeriladora angular.

Datos técnicos

Modelo	M2000 HD	MA2000 HD	M2200 HD	MA2200 HD	M2400 HD	MA2400 HD	MB2600P HD	MBA2600P HD
	MB2000P HD	MBA2000P HD	MB2200P HD	MBA2200P HD	MB2400P HD	MBA2400P HD		
Potencia consumida	2000 W	2000 W	2200 W	2200 W	2400 W	2400 W	2600 W	2600 W
Velocidad nominal	8500 min ⁻¹	6600 min ⁻¹	8500 min ⁻¹	6600 min ⁻¹	8500 min ⁻¹	6600 min ⁻¹	8500 min ⁻¹	6600 min ⁻¹
Rosca de unión del husillo	M14	M14	M14	M14	M14	M14	M14	M14
Longitud de la rosca del husillo	20 mm	20 mm	20 mm	20 mm	20 mm	20 mm	20 mm	20 mm
Diámetro interno del disco esmerilador	22.23	22.23	22.23	22.23	22.23	22.23	22.23	22.23
Diámetro máximo del disco esmerilador	180 mm	230 mm	180 mm	230 mm	180 mm	230 mm	180 mm	230 mm
Grosor máximo del disco esmerilador	10 mm	10 mm	10 mm	10 mm	10 mm	10 mm	10 mm	10 mm
Peso (EPTA)								
Procedimiento 01/2014)	5.4 kg	5.6 kg	5.3 kg	5.5 kg	6.0 kg	6.2 kg	6.1 kg	6.3 kg
	5.4 kg	5.6 kg	5.3 kg	5.5 kg	6.0 kg	6.2 kg		
Clase de protección (EN 60745-1)	II	II	II	II	II	II	II	II

INFORMACIÓN SOBRE EL RUIDO Y LAS VIBRACIONES

Los valores se han medido según la norma EN 60745.

Emisión de ruidos

A-nivel medido de presión sonora L _{PA}	91 dB(A)	91 dB(A)	92 dB(A)	92 dB(A)	92 dB(A)	92 dB(A)	92 dB(A)	92 dB(A)
Indeterminación K _{PA}	3.0 dB	3.0 dB	3.0 dB	3.0 dB	3.0 dB	3.0 dB	3.0 dB	3.0 dB
A-nivel medido de potencia sonora L _{WA}	102 dB(A)	102 dB(A)	103 dB(A)	103 dB(A)	103 dB(A)	103 dB(A)	103 dB(A)	103 dB(A)
Indeterminación K _{WA}	3.0 dB	3.0 dB	3.0 dB	3.0 dB	3.0 dB	3.0 dB	3.0 dB	3.0 dB

¡Utilice medios de protección contra el ruido!

Emisión de vibraciones *

Valor total de las vibraciones (suma vectorial de tres direcciones) determinado según la norma EN 60745:

Esmerilado de superficies								
Valor de las vibraciones								
emitidas a _{h,AG}	5.1 m/s ²	5.1 m/s ²	5.0 m/s ²	5.0 m/s ²	4.9 m/s ²	4.9 m/s ²	5.0 m/s ²	5.0 m/s ²
Indeterminación K _{AG}	1.5 m/s ²	1.5 m/s ²	1.5 m/s ²	1.5 m/s ²	1.5 m/s ²	1.5 m/s ²	1.5 m/s ²	1.5 m/s ²
Esmerilado con papel abrasivo								
Valor de las vibraciones								
emitidas a _{h,DS}	5.4 m/s ²	5.4 m/s ²	5.4 m/s ²	5.4 m/s ²	5.4 m/s ²	5.4 m/s ²	5.4 m/s ²	5.4 m/s ²
Indeterminación K _{DS}	2.0 m/s ²	2.0 m/s ²	1.5 m/s ²	1.5 m/s ²	1.5 m/s ²	1.5 m/s ²	2.0 m/s ²	2.0 m/s ²

* Las vibraciones se han determinado según el apartado 6.2.7 de la norma EN 60745.

El nivel de las vibraciones determinado en esta instrucción ha sido medido en conformidad con la metodología de ensayo indicada en EN 60745 y podrá utilizarse para comparar instrumentos eléctricos. El nivel de las vibraciones podrá utilizarse para una evaluación previa del grado de influencia.

El nivel declarado de las vibraciones se refiere a la destinación principal del instrumento eléctrico. En los casos cuando el instrumento eléctrico se utilice con otra destinación, con otros accesorios o cuando el instrumento eléctrico no haya sido mantenido debidamente, el nivel de las vibraciones podrá ser diferente al indicado. En estos casos, el nivel de influencia podrá aumentar considerablemente dentro de los límites del período total de funcionamiento.

En la evaluación del nivel de influencia de las vibraciones se deberá tener en consideración el tiempo durante el cual el instrumento eléctrico queda desconectado o conectado, pero no se utiliza. Esto podrá reducir notablemente el nivel de influencia dentro de los límites del período total de funcionamiento.

¡Manténganse el instrumento eléctrico y los accesorios en buen estado! Procure tener las manos calientes durante el trabajo. Esto disminuirá la influencia nociva durante un trabajo con vibraciones elevadas.

El polvo desprendido en el procesamiento de los materiales, como pinturas que contienen plomo, algunos tipos de madera, minerales y metales, podrá ser peligroso para la salud. El contacto o la aspiración del polvo podrá provocar reacciones alérgicas y/o enfermedades de las vías respiratorias del operario o de las personas a su alrededor.

Algunos tipos de polvo, por ejemplo, de roble o de haya, se consideran cancerígenos, ante todo si se combinan con adiciones para procesar la madera (cromato, conservantes). El material que contenga asbesto se ha de procesar únicamente por especialistas.

- Cuando sea posible, utilice la evacuación de polvo.
- Para alcanzar un alto grado de captación de polvo, al operar con esta herramienta eléctrica, utilice una aspiradora destinada a recoger polvo de madera o para polvo de madera y/o polvo mineral.
- Asegure una buena ventilación del lugar de trabajo.
- Se recomienda usar una mascarilla antipolvo de protección con filtro clase P2.

Respétese las disposiciones vigentes en su país acerca del procesamiento de los respectivos materiales.

Todos los modelos con el símbolo A en la denotación tipo indican un diámetro máximo de la herramienta de trabajo de Ø230mm. A falta de este símbolo, el diámetro máximo de la herramienta de trabajo es Ø180mm.

Todos los modelos con el índice B poseen un dispositivo electrónico incorporado que asegura un desenrosque rítmico hasta las revoluciones nominales y la limitación de la corriente de arranque hasta 16 A.

Todos los modelos con el índice P en la denotación tipo poseen seguridad contra autoarranque al decaer momentáneamente el voltaje, o bien al desconectarse del enchufe por más de 0,5 s, quedando la herramienta eléctrica desconectada y pudiendo ponerse en marcha solamente después de desconectar y volver a conectar el interruptor de arranque. A falta de este índice, el interruptor de arranque no tiene fijación en posición conectada. (El funcionamiento de esta seguridad se ha descrito en el apartado "Instrucciones para la operación").

Instrucciones generales de seguridad al operar con herramientas eléctricas



ADVERTENCIA! Lea íntegramente estas advertencias e instrucciones de seguridad. Si no se respetan las advertencias e instrucciones de seguridad, podrá llegar a causarse una avería por la corriente eléctrica, un incendio y/o una lesión grave.

Guárdense todas las advertencias e instrucciones de seguridad para su uso futuro.

El término "herramienta eléctrica" empleado en todas las advertencias descritas a continuación se refiere a su instrumento eléctrico alimentado de la red (con un cordón eléctrico) y/o de una máquina eléctrica alimentada por una batería de acumuladores (sin cordón eléctrico).

1) Seguridad del puesto de trabajo

- a) Mantenga limpio y bien iluminado su puesto de trabajo. El desorden y la insu-

ficiente iluminación son premisas para un accidente de trabajo.

- b) **No trabaje con la herramienta eléctrica en un entorno de aire explosivo donde hay líquidos inflamables, gases o polvo.** Las herramientas eléctricas producen chispas que pueden incendiar el polvo o el vapor.
- c) **Mantenga a los niños y a las personas extrañas a una distancia cuando esté trabajando con una herramienta eléctrica.** Una distracción suya le puede hacer perder el control sobre el instrumento eléctrico.

2) Seguridad eléctrica

- a) **Los enchufes de las herramientas eléctricas deben corresponder a la toma de corriente. No cambie el enchufe bajo ningún concepto. No emplee ningún enchufe adaptador en las herramientas eléctricas de puesta a tierra.** El uso de enchufes no modificados y su correspondiente toma de corriente reduce el riesgo de una avería causada por la corriente eléctrica.
- b) **Evite el contacto de su cuerpo con la tierra o con superficies con puesta a tierra, como tubos, radiadores, cocinas**

y refrigeradores. *Si su cuerpo está con puesta a tierra, existe un mayor riesgo de producirse una avería por la corriente eléctrica.*

- c) **No exponga la herramienta eléctrica a la lluvia o en un ambiente húmedo.** *La penetración del agua en el interior del instrumento eléctrico aumenta el riesgo de producirse una avería por la corriente eléctrica.*
- d) **Utilice el cordón eléctrico conforme a su destino. Jamás utilice el cordón eléctrico para trasladar el instrumento eléctrico, tirar o sacar el enchufe de la toma de corriente. Mantenga el cordón eléctrico alejado del calor, de lubricantes, aristas vivas o piezas móviles.** *Los cordones eléctricos deteriorados o enredados aumentan el riesgo de producirse una avería por la corriente eléctrica.*
- e) **Al trabajar con la herramienta eléctrica a la intemperie, utilice un alargador apropiado para trabajar al aire libre.** *La utilización de un alargador adecuado para trabajar a la intemperie reduce el riesgo de producirse una avería por la corriente eléctrica.*
- f) **Para interrumpir la alimentación, utilice un dispositivo de seguridad que se pone en funcionamiento por la corriente eléctrica restante de ser imprescindible el empleo de la herramienta eléctrica en un ambiente húmedo.** *La aplicación de un dispositivo de seguridad reduce el riesgo de producirse una avería por la corriente eléctrica.*

3) Seguridad personal

- a) **Manténgase en alerta, trabaje con mayor atención y sea prudente mientras esté trabajando con la herramienta eléctrica.** *No utilice la herramienta eléctrica si estuviese cansado bajo el efecto de drogas, alcohol o medicamentos. Un instante de falta de atención al trabajar con un instrumento eléctrico puede provocar un grave accidente de trabajo.*
- b) **Utilice medios de protección personal.** *Lleve siempre medios para la protección de los ojos. Los medios de protección personal como carreta antipolvo, zapatos seguros con suela antideslizante, casco o protectores auditivos utilizados en condiciones concretas reducen el riesgo de accidentes de trabajo.*
- c) **Evite una puesta en marcha involuntaria.** *Antes de asir o trasladar el instru-*

mento eléctrico, asegúrese de que el interruptor esté desconectado previa su conexión a la fuente de alimentación y/o a la batería de acumuladores. Puede dar lugar a un accidente de trabajo que la herramienta eléctrica sea trasladada con el dedo sobre el interruptor, o bien la conexión de dicha herramienta a una fuente de alimentación con el interruptor en posición conectada.

- d) **Retire toda llave de ajuste o llaves de tuercas antes de conectar la herramienta eléctrica.** *Una llave de ajuste o llave de tuercas fijada a una pieza rotatoria puede producir un accidente de trabajo.*
- e) **¡No alargue la mano!** *Mantenga en todo momento la postura correcta y el equilibrio. Ello permitirá un mejor manejo de la herramienta eléctrica en caso de que se presente una situación inesperada.*
- f) **Lleve una ropa de trabajo adecuada.** *No lleve prendas anchas o joyas. Mantenga su cabello, vestimenta y guantes alejados de las piezas móviles. La ropa ancha, las joyas o el pelo largo se podrán enganchar a las piezas en movimiento.*
- g) **Siempre que sea posible, utilice equipos de aspiración o recogepolvos y asegúrese que estén conectados y que se utilicen correctamente.** *El uso de estos dispositivos puede reducir los riesgos que son producto del polvo.*

4) Uso y cuidado de las herramientas eléctricas

- a) **No sobrecargue la herramienta eléctrica.** *Según el uso, hágase una correcta selección de la herramienta eléctrica. La herramienta correctamente seleccionada funciona mejor y con mayor seguridad en el régimen de trabajo para el que ha sido diseñada.*
- b) **No utilice la herramienta eléctrica si el interruptor no conmuta en posición de “conectado” y “desconectado”.** *Toda herramienta eléctrica que no pueda ser manejada con el interruptor es peligrosa y ha de ser reparada.*
- c) **Antes de efectuar cualquier ajuste, saque el enchufe de la red de alimentación, previo cambio de cualquier accesorio o antes de guardar la herramienta.** *Estas medidas de seguridad preventivas reducen el riesgo de poner en funcionamiento la herramienta eléctrica accidentalmente.*
- d) **Guarde las herramientas eléctricas que no hayan sido utilizadas en lugares que**

estén fuera del alcance de los niños, y no permita que trabajen con ella las personas que prestan servicios y desconozcan la herramienta eléctrica y estas instrucciones. *Las herramientas eléctricas son peligrosas en manos de usuarios inexpertos.*

- e) **Mantenga la herramienta eléctrica. Averigüe si sus piezas móviles funcionan correctamente y se mueven con libertad, así como la integridad y el buen estado de las piezas, como también cualquier otra circunstancia que pudiera afectar de forma desfavorable el funcionamiento de la herramienta eléctrica. En caso de que esté deteriorada, la herramienta habrá de repararse antes de que se continúe usando. Muchos accidentes se deben al mal mantenimiento de las herramientas eléctricas.**
- f) **Mantenga las herramientas cortantes limpias y afiladas. Las herramientas cortantes con bordes afilados y cortantes que tengan un mantenimiento correcto es menos probable que bloqueen y son más fáciles de manejar.**
- g) **Utilice la herramienta eléctrica, los accesorios, las piezas, etc., de acuerdo con estas instrucciones y de la forma prevista para el tipo de herramienta eléctrica concreta, tomando en consideración las condiciones laborales y el trabajo a realizar. El uso de la herramienta eléctrica con fines diferentes a aquellos para los que ha sido diseñada puede causar una situación de peligro.**

5) Servicio

- a) **Repare su herramienta eléctrica con un técnico cualificado en reparaciones, utilizando sólo piezas de recambio originales. Ello garantizará el mantenimiento y la seguridad de la herramienta eléctrica.**

Instrucciones adicionales de seguridad al operar con esmeriladoras angulares

Instrucciones generales de seguridad al esmerilar con disco y papel abrasivos, al limpiar con cepillos de alambre y

al pulir y cortar con un disco abrasivo:

- a) **Esta herramienta eléctrica puede utilizarse como esmeriladora con disco abrasivo, con papel abrasivo, con cepillo de alambre y también para pulir y cortar con un disco abrasivo. Lea todas las instrucciones de seguridad, las recomendaciones, las imágenes y los datos que se han obtenido con la esmeriladora. Si no se respetan las instrucciones de seguridad, pueden surgir daños de corriente eléctrica, incendio y/o lesiones graves.**
- b) **Esta herramienta eléctrica no es apropiada para pulir. Las operaciones para las cuales la herramienta no está destinada pueden crear peligro y causar lesiones.**
- c) **No utilice accesorios que no hayan sido autorizados ni recomendados especialmente por el fabricante para esta herramienta eléctrica. El hecho de que se pueda fijar un accesorio a su herramienta eléctrica no garantiza un uso seguro.**
- d) **Las revoluciones nominales del accesorio deben ser, como mínimo, iguales a las revoluciones máximas indicadas en la herramienta eléctrica. Los accesorios que giren a una velocidad más alta que su velocidad nominal podrán romperse y sus pedazos podrán llegar a dispersarse.**
- e) **El diámetro externo y el grosor de la herramienta de trabajo deben ser en los límites de las dimensiones indicadas en su herramienta eléctrica. Los accesorios cuyas dimensiones son inapropiadas no pueden protegerse o manejarse correctamente.**
- f) **Los útiles de fijación a rosca deberán ajustar exactamente en la rosca del husillo. En los útiles de fijación por brida su diámetro de encaje deberá ser compatible con el de alojamiento en la brida. Los útiles que no vayan fijados exactamente sobre la herramienta eléctrica giran descentrados, vibran mucho, y pueden hacerle perder el control sobre el aparato.**
- g) **No utilice accesorios dañados. Revise los accesorios antes de cualquier uso: que los discos abrasivos no se hayan desdentado ni tengan fisuras; que los discos elásticos no tengan fisuras, roturas ni se hayan desgastado mucho; que los cepillos de alambre no se hayan aflojado ni tengan hilos quebrados. Si la herramienta eléctrica o el accesorio se dejan caer, cerciórese de que no se**

- hayan dañado o monte un accesorio en buen estado. Después de que el accesorio haya sido revisado y montado, sitúese junto con las personas extrañas fuera del área de rotación del accesorio y deje que la herramienta eléctrica funcione a revoluciones máximas en marcha en vacío durante un minuto. *Generalmente, este tiempo es suficiente para que los accesorios dañados se rompan.*
- h) **Lleve medios de protección personal.** Según el caso concreto, utilice una pantalla para la protección del rostro o gafas protectoras. Si es necesario, utilice una mascarilla antipolvo, medios de protección del oído, un guante de protección o delantal especial que retenga las pequeñas partículas del accesorio esmerilador o de la pieza en procesamiento. *Los medios para la protección de los ojos deben proteger de las partículas volantes que surgen de diversas operaciones. Las mascarillas antipolvo y de protección de gases deben filtrar las partículas que se hayan desprendido durante la operación. La exposición continua a fuertes ruidos puede ocasionar pérdida de la audición.*
- i) **Mantenga a las personas extrañas a una distancia segura de la zona de operación.** Toda persona que se encuentre en la zona de operación debe llevar medios de protección personales. *Es posible que las partículas volantes desprendidas de la pieza en procesamiento o de un accesorio roto provoquen también lesiones fuera de los límites de la zona de operación inmediata.*
- j) **Sujete la herramienta eléctrica solamente por las superficies de sujeción aisladas cuando realice una operación en la que el accesorio cortante pueda rozar con una instalación eléctrica oculta o con el propio cable.** *El roce de un accesorio cortante con un cable bajo tensión pondrá a las piezas metálicas de la herramienta eléctrica que están al descubierto bajo tensión y el operador podrá sufrir una electrocución.*
- k) **Mantenga el cable de alimentación fuera del alcance de funcionamiento del accesorio rotatorio.** *Si se pierde el control sobre la herramienta eléctrica, el cable de alimentación podrá cortarse o arrastrar su palma o su mano hacia el área de funcionamiento de la herramienta rotatoria.*
- l) **No deje nunca la herramienta eléctrica** antes de que el accesorio haya dejado de girar completamente. *El accesorio rotatorio puede engancharse al material en procesamiento y ocasionar la pérdida de control sobre la herramienta eléctrica.*
- m) **No deje que la herramienta eléctrica funcione mientras la esté llevando.** *El roce casual del accesorio rotatorio con su vestimenta puede engancharla y lesionar su cuerpo.*
- n) **Limpie regularmente los orificios de ventilación de la herramienta eléctrica.** *El ventilador del motor eléctrico aspira polvo hacia el cuerpo y la acumulación excesiva de polvo de metal puede provocar el peligro de que se produzca daño de corriente eléctrica.*
- o) **No utilice la herramienta eléctrica cerca de materiales combustibles.** *Las chispas pueden incendiar estos materiales.*
- p) **No utilice accesorios cuyo trabajo requiera medios de refrigeración líquidos.** *El uso del agua o de otros medios de refrigeración líquidos puede conducir a daños de corriente eléctrica o electrocución.*
- **La herramienta eléctrica debe usarse solamente según los fines para los que ha sido concebida.** Se considera uso incorrecto cualquier otro uso distinto del que se describe en estas instrucciones. *La responsabilidad por cualquier daño o lesión originados por el uso incorrecto será asumida por el usuario y no por el fabricante.*
 - **El fabricante no asume responsabilidad por las modificaciones en la herramienta eléctrica que hayan sido efectuadas por el usuario o por los daños que hayan sido provocados a raíz de semejantes modificaciones.**
 - **Si se opera en un ambiente empolvado, los orificios de ventilación de la máquina deben mantenerse limpios.** Si deben limpiarse del polvo, desconecte primero la alimentación, utilizando objetos no metálicos para quitar el polvo y procurando que no se dañen las piezas internas de la máquina. *La herramienta eléctrica se sobrecalentará cuando la refrigeración disminuya como consecuencia de que los orificios de ventilación estaban empolvados.*
 - **La herramienta eléctrica no debe usarse al aire libre cuando esté lloviendo, en un entorno húmedo (después de llover) o cerca de líquidos y gases fácilmente**

inflamables. El puesto de trabajo debe estar bien iluminado.

Otras instrucciones de seguridad para todas las operaciones

Rebote (golpe inverso) e instrucciones de seguridad relativas a éste

El rebote es la reacción súbita como consecuencia del acuñaamiento o el bloqueo de un accesorio, por ejemplo, del disco esmerilador, del disco elástico, del cepillo de alambre, etc. El acuñaamiento o el bloqueo conducen a la detención súbita de la rotación del accesorio que, por su parte, expulsa la herramienta eléctrica incontrolable en el sentido opuesto al sentido de rotación de la herramienta de trabajo en el punto de acuñaamiento.

Por ejemplo, si el disco esmerilador se acuña o bloquea en la pieza, el borde del disco esmerilador que se ha introducido en esta pieza quedará encallado y como consecuencia de ello el disco puede romperse o provocar rebote. El disco esmerilador rebota hacia el operador o desde él, según el sentido de rotación del disco en el lugar del bloqueo. En estas circunstancias, los discos esmeriladores pueden romperse.

El rebote es el resultado del uso y/o la explotación incorrectos o de las condiciones de trabajo con la herramienta eléctrica y puede evitarse al aplicar las medidas de protección que se describen a continuación.

- a) **Sostenga fuertemente la herramienta eléctrica, ocupe una posición adecuada con el cuerpo y coloque sus manos de modo que pueda dominar la fuerza del rebote. Utilice siempre el asidero adicional si la herramienta eléctrica está provista de éste para tener el máximo de control posible sobre la fuerza del rebote o del momento reactivo al ponerla en funcionamiento. Mediante las medidas de protección apropiadas, el operario podrá dominar el momento reactivo y el rebote.**
- b) **No ponga nunca sus manos cerca de un accesorio rotatorio. El accesorio puede rebotar sobre su mano.**
- c) **No se sitúe en el área donde la herramienta eléctrica puede avanzar en caso de rebote. El rebote acciona la herramienta eléctrica en el sentido opuesto al movimiento del disco esmerilador, es decir, en el lugar de bloqueo.**
- d) **Opere con mayor atención cuando esté procesando ángulos, bordes agudos, etc. No permita que el accesorio rebo-**

te o que bloquee en la pieza. Al procesar ángulos y bordes agudos, es posible que el accesorio rotatorio se acüñe, con lo cual se podrá causar pérdida de control o rebote.

- e) **No utilice discos de cadena o discos de sierra para procesar madera. Estos accesorios provocan con frecuencia rebote o pérdida de control sobre la herramienta eléctrica.**
 - **Fije la pieza en procesamiento en unas mordazas o de otra forma apropiada.**

Instrucciones específicas de seguridad al esmerilar y cortar con disco abrasivo

- a) **Utilice solamente los tipos de discos recomendados para la herramienta eléctrica que dispongan de un dispositivo de seguridad previsto para ellos. Los discos para los que esta herramienta eléctrica no haya sido diseñada no se pueden proteger adecuadamente y son inseguros.**
- b) **Los discos de amolar con centro deprimido deberán montarse de manera que la cara de amolado no alcance a sobresalir del reborde de la caperuza de protección. Un disco de amolar incorrectamente montado cuya cara frontal rebase el reborde de la caperuza de protección no puede ser convenientemente protegido.**
- c) **El dispositivo de seguridad debe fijarse de forma fiable a la herramienta eléctrica y debe estar dispuesto de modo que garantice la seguridad máxima, es decir, que una parte mínima del disco se encuentre al descubierto dirigida hacia el operador. El dispositivo de seguridad debe proteger al operador de los cascajos del contacto fortuito con el disco y de las chispas que pueden incendiar su vestimenta.**
- d) **Los discos deben usarse únicamente para las aplicaciones recomendadas. Por ejemplo, no esmerile nunca con la superficie lateral del disco cortante. Los discos cortantes están destinados a desprender material con el borde del disco. Si se ejerce presión lateral sobre el disco, éste podrá romperse.**
- e) **Utilice siempre bridas de apriete en buen estado cuya forma y dimensiones sean apropiadas para el disco elegido. Las bridas de apriete que hayan sido escogidas correctamente fijarán el disco y reducirán el peligro de romperse. Las bridas de apriete para discos cortantes podrán diferir de las bridas de apriete des-**

tinadas a otro tipo de discos.

- f) **No utilice discos desgastados de herramientas eléctricas que sean más grandes.** El disco para una herramienta eléctrica más grande no es apropiado para las revoluciones más elevadas de una herramienta eléctrica más pequeña y puede romperse.
- **Observe siempre el sentido de rotación del disco.** La fuerza reactiva es inversa al sentido de rotación en el lugar del esmerilado o del corte y es una premisa para perder control sobre la herramienta eléctrica.
 - **Sujete siempre la máquina de modo que las chispas y el polvo del esmerilado se dispersen aparte del cuerpo.** Las herramientas eléctricas desprenden chispas que pueden quemar la vestimenta o partes no protegidas del cuerpo.
 - **No se deben esmerilar y cortar construcciones metálicas que hayan sido pintadas recientemente antes de que la pintura se haya secado.** Existe peligro de que se inflame la pintura que no se haya secado.
 - **No se deben cortar materiales combustibles (madera, plástico, etc.) y construcciones de paneles tipo "sándwich" rellenos de combustible.** Existe peligro de surgir incendio.
 - **No se deben esmerilar y cortar instalaciones que funcionan bajo presión.** Existe peligro de surgir una explosión.
 - **No se deben esmerilar y cortar depósitos, tuberías, aparatos, etc., en los que haya o haya habido sustancias y materiales combustibles o fácilmente inflamables sin que se hayan adoptado medidas especiales contra incendios y antiexplosivas.** Existe el peligro de producirse incendio o explosión.

Instrucciones específicas de seguridad al cortar con disco abrasivo

- a) **Evite el acuñamiento del disco cortante o la aplicación de presión excesiva.** No intente efectuar cortes demasiado profundos. La sobrecarga del disco cortante eleva su desgaste, como también su ductibilidad a distorsiones o bloqueos, y, de allí, la posibilidad de rebotar o romperse el disco.
- b) **No se sitúe en el área delante o detrás del disco rotatorio.** Si el disco cortante en el lugar de corte se aleja de su cuerpo, un posible rebote podría empujar la herra-

mienta eléctrica con el disco rotatorio directamente hacia Ud.

- c) **Si el disco cortante se ha acuñado o por algún motivo Ud. interrumpe la operación, desconecte la herramienta eléctrica y manténgala inmóvil hasta que el disco deje de girar definitivamente.** No intente nunca sacar del corte un disco que todavía esté girando; de lo contrario, se provocará un rebote. Busque y elimine el motivo del acuñamiento.
- d) **No conecte nunca nuevamente la herramienta eléctrica mientras que el disco cortante se encuentre todavía en la pieza.** Deje que el disco cortante alcance sus revoluciones completas antes de introducirlo cuidadosamente en el corte. De lo contrario, el disco puede atascarse, deslizarse de la pieza o rebotar.
- e) **Asegure con soportes adicionales las placas o las piezas de grandes dimensiones para reducir el riesgo de acuñamiento y rebote.** Las piezas de grandes dimensiones penden de su propio peso. La pieza debe sostenerse por ambos lados del disco tanto cerca del corte como de los extremos de la pieza.
- f) **Sea sumamente cauteloso al hacer cortes de canales en paredes existentes u otras superficies revestidas de mampostería.** El disco que sobresale hacia adelante podrá cortar tuberías de gas o de agua, instalaciones eléctricas u otros tipos de instalaciones, así como provocar un rebote.

Instrucciones específicas de seguridad al esmerilar con papel abrasivo

- a) **No utilice hojas de papel abrasivo sumamente grandes y cumpla las instrucciones del fabricante respecto a las dimensiones del papel abrasivo.** Una hoja de papel abrasivo que sobresale del disco elástico corre el riesgo de romperse y puede provocar un bloqueo, romper el papel abrasivo o rebotar.

Instrucciones específicas de seguridad al operar con cepillos de alambre

- a) **Tenga en cuenta que los hilos de alambre se desprenden incluso al operar normalmente con el cepillo de alambre.** No sobrecargue los hilos apretando el cepillo fuertemente. Los hilos de alambre volantes se introducen fácilmente en la vestimenta fina y/o a través de la piel.

- b) Si durante la operación con un cepillo de alambre se recomienda el uso de un dispositivo de seguridad, no permita que el dispositivo de seguridad y el cepillo de alambre de disco o caliciforme rocen entre sí. *Los cepillos de alambre de disco o caliciformes pueden aumentar su diámetro bajo la influencia de la presión al operar y de las fuerzas centrífugas.*

Componentes principales de la herramienta eléctrica

Antes de empezar a operar con la herramienta eléctrica, infórmese acerca de todas sus peculiaridades operativas y de las condiciones de seguridad.

Utilice la herramienta eléctrica y sus accesorios solamente según el fin con que han sido concebidos. Queda terminantemente prohibida cualquier otra aplicación.

1. Husillo
- 2.1. Disco para esmerilar (¡Utilícese solamente con un dispositivo de seguridad para discos esmeriladores!)*
- 2.2. Disco para cortar (¡Utilícese solamente con un dispositivo de seguridad para discos cortantes!)*
- 3.1. Dispositivo de seguridad para el disco esmerilador
- 3.2. Dispositivo de seguridad para el disco cortante*
4. Brida de apoyo
5. Brida de apriete
6. Asidero adicional
7. Interruptor
8. Botón de fijación del interruptor
9. Botón de fijación del husillo

ACCESORIOS QUE PUEDEN UTILIZARSE CON ESTA HERRAMIENTA ELÉCTRICA

10. Cepillo metálico*
11. Disco de plástico (de goma)*
12. Hoja de papel abrasivo*
13. Tuerca especial*

* Los dispositivos adicionales representados en las figuras o descritos en el manual de usuario no se han incluido en el kit.

Instrucciones para la operación

Estas herramientas eléctricas se alimentan solamente mediante voltaje de corriente eléctrica monofásica alterna. Poseen doble aislamiento, según las normas EN 60745 e IEC 60745-1, y pueden conectarse a tomas de corriente sin bornes de protección. Las radiointerferencias corresponden a la Directiva de Compatibilidad Electromagnética.

Esta herramienta eléctrica está destinada a cortar, esmerilar y cepillar ante todo metales, sin usar agua.

ANTES DE EMPEZAR LA OPERACIÓN

- La máquina puede tener montado en fábrica un dispositivo de seguridad. Cerciórese de que el dispositivo de seguridad haya sido montado correctamente y que haya sido fijado de forma fiable antes del primer uso y de cada uso siguiente.
- La máquina puede tener montado en fábrica un disco. Cerciórese de que el disco haya sido montado correctamente y que haya sido atiesado de forma fiable antes del primer uso y de cada uso siguiente.
- Revise si el voltaje de la red eléctrica corresponde al indicado en la placa de datos técnicos de la herramienta eléctrica.
- Revise la posición del interruptor. La herramienta eléctrica debe conectarse y desconectarse de la red de alimentación solamente cuando el interruptor esté desconectado. Si el enchufe se introduce en la toma de corriente mientras que el interruptor esté conectado, la herramienta eléctrica se pondrá inmediatamente en funcionamiento, lo cual es una premisa de accidente.
- Cerciórese del buen estado del cable de alimentación y del enchufe. Si el cable de alimentación está dañado, su sustitución debe efectuarse por el fabricante o por un técnico de servicio suyo a fin de evitar los peligros de la sustitución.



ADVERTENCIA: Desconecte siempre la herramienta eléctrica y saque el enchufe de la toma de corriente antes de realizar cualquier ajuste, servicio o mantenimiento, o bien al producirse una caída en el voltaje de alimentación.

- Al montar discos tronzadores diamantados, observar que la flecha de dirección de éstos coincida con el sentido de giro de la herramienta eléctrica (ver flecha marcada en el cabezal del aparato).
- Revise si el diámetro y el grosor del disco no superan los indicados en los datos técnicos. La velocidad periférica admisible indicada en el disco no debe ser inferior a 80 m/s. Los discos deben guardarse según las instrucciones de su fabricante.
- Si la zona de operación está alejada de la fuente de alimentación, utilice un prolongador de sección apropiada lo más corto posible.
- Revise si el asidero adicional ha sido colocado correctamente y si ha sido atiesado de forma segura.

CONEXIÓN - DESCONEXIÓN

La esmeriladora está asegurada contra la conexión fortuita.

- Conexión: inicialmente, el botón auxiliar 8 se empuja hacia adelante, por la parte inferior del asidero, y, posteriormente, se aprieta la palanca principal del interruptor 7. Para una operación continua, el interruptor 7 puede inmovilizarse (solamente para los modelos con el índice P). En este caso, al estar apretada la palanca del interruptor 7, se aprieta el botón 8, aflojándose posteriormente la palanca.
- Desconexión: el interruptor 7 se afloja, y, cuando esté inmovilizado, primero, se aprieta, y, posteriormente, se afloja.

En caso de interrumpirse el voltaje de la red de alimentación (o si decae momentáneamente por un tiempo $t > 0,5s.$), cuando el interruptor de arranque de la herramienta está fijado en posición conectada, al restablecerse la alimentación de la red, la herramienta eléctrica no debe estar en funcionamiento (no debe arrancar). Para recuperar el funcionamiento normal de la herramienta eléctrica, en este caso es necesario que el interruptor de arranque se desconecte, y, posteriormente, volver a conectarse.

DISPOSITIVO DE SEGURIDAD DEL DISCO



ADVERTENCIA: ¡El dispositivo de seguridad 3.1 del disco esmerilador o el dispositivo de seguridad 3.2 del disco cortante (respectivamente, del disco esmerilador 2.1 o del disco cortante 2.2) debe estar siempre montado en la máquina!



ADVERTENCIA: Antes de realizar las operaciones siguientes, la máquina debe estar desconectada de la red de alimentación a través del enchufe.

Colocación del dispositivo de seguridad (fig.1)

- Haga girar el anillo de plástico negro (fig. 2a) de modo que el intersticio S del anillo coincida con el recorte en el que cae el diente de la palanca de cierre L.
- Coloque el dispositivo de seguridad en la posición de reposo (fig.2a) de modo que los cuatro dientes coincidan con los cuatro recortes en la caja de rodamiento (fig.2b).
- Apriete la palanca de cierre L (fig.3) hasta desbloquearla.
- Apriete el dispositivo de seguridad hacia abajo y hágalo girar a la posición de operación deseada (fig.4).
- Suelte la palanca de cierre L, hasta una posición estable, en la que el dispositivo de seguridad se inmovilice (el diente de la palanca de cierre se haya introducido en uno de los recortes del dispositivo de seguridad).

Rotación del dispositivo de seguridad a una posición de operación nueva

- Apriete la palanca de cierre L (fig.3) hasta desbloquearla.
- Haga girar el dispositivo de seguridad a la posición de operación deseada.
- Afloje la palanca de cierre L hasta una posición estable, en la cual el dispositivo de seguridad se inmovilice (el diente de la palanca de cierre se haya introducido en uno de los recortes del dispositivo de seguridad).

Retirada del dispositivo de seguridad

- Apriete la palanca de cierre L (fig.3) hasta desbloquearla.
- Haga girar el dispositivo de seguridad a la posición de reposo (fig.2a) de modo que los cuatro dientes coincidan con los cuatro recortes en la caja de rodamiento (fig.2b).

- Retire el dispositivo de seguridad.

CAMBIO DEL DISCO



ADVERTENCIA: Antes de realizar las operaciones siguientes, la máquina debe estar desconectada de la red de alimentación a través del enchufe.

El husillo 1 de la máquina esmeriladora se fija. Para todos los modelos, eso se efectúa al apretar el botón 9 que se encuentra sobre la caja reductora de la máquina.



ADVERTENCIA: No se debe apretar el botón 9 mientras que el husillo esté girando.

- Al estar apretado el botón, el husillo se hace girar en el sentido inverso al indicado sobre el dispositivo de seguridad 3, hasta que se hunda claramente. La brida de apriete 5 se desenrosca con una llave especial. El disco nuevo se coloca sobre la brida de apoyo 4, con los letreros hacia arriba, y la brida de apriete 5 se enrosca con la llave especial. Utilice las arandelas de papel de asiento, si forman parte del kit del disco. Si el grosor del disco es hasta 6 mm, la brida de apriete se coloca con su parte plana hacia el disco, y si el grosor del disco es superior a 6 mm, la brida de apriete 5 se coloca hacia el husillo, de modo que el peldaño de la brida de apriete se introduzca en la abertura del disco. Después de cambiar el disco, ponga la máquina en funcionamiento con el disco nuevo alrededor de un minuto, sin carga. Los discos vibrantes o los que giran de forma irregular deben sustituirse inmediatamente.
- El cepillo metálico 10 se enrosca directamente al husillo 1 con la ayuda de una llave de tuercas. Revise si la longitud de la rosca del cepillo es suficientemente larga para abarcar la rosca del husillo.
- El esmerilado con papel abrasivo se realiza con el disco de plástico (de goma) 11, bajo el cual se coloca la hoja abrasiva 12. El disco de plástico 11 se coloca sobre la brida de apoyo 4 y se aprieta con la tuerca especial 13 que entra en el kit. Si se utiliza un disco de operación con la brida colocada, éste se enrosca directamente al husillo con la ayuda de la llave de tuercas, sin utilizar la brida de apriete 5. El disco con la brida colocada puede ser

de esponja con contenido de resina, de penopolíuretano, con un depósito de plástico portador en el que está colocada la brida, y la propia hoja abrasiva se adhiere al disco de penopolíuretano a través de un sistema "adhesivo". Después de cambiar el disco, ponga la máquina en funcionamiento con el disco nuevo alrededor de un minuto, sin carga. Los discos vibrantes o que giran de forma irregular deben sustituirse inmediatamente.

ASIDERO ADICIONAL (Fig. 5)

Normalmente, el asidero adicional 6 se enrosca por la parte izquierda de la máquina. Éste puede enroscarse asimismo por la parte derecha, si resulta más cómodo para el operador. Las máquinas tienen una tercera caja de rosca para unir el asidero adicional. El asidero adicional de estos modelos está unido al cuerpo de la máquina mediante elementos vibroamortiguadores, lo cual protege al operador y reduce el cansancio al operar.

ROTACIÓN DEL CUERPO DE LA MÁQUINA

El cuerpo de la máquina puede hacerse girar a 90°. Eso se aplica cuando la máquina se utiliza primordialmente para cortar. En este caso, la rotación del cuerpo de la máquina debe efectuarse en un centro de servicio autorizado de herramientas eléctricas manuales SPARKY.

RECOMENDACIONES

Al operar con un disco cortante, no ejerza presión ni mueva el disco transversalmente al corte. Opere con un avance moderado que sea apropiado para el material en procesamiento. Es importante el sentido en que se está cortando. La máquina debe avanzar en el sentido de rotación inverso al disco. De lo contrario, existe el peligro de que el disco salga incontrolablemente fuera del corte. (Fig. 6)

Al cortar perfiles y tubos de sección rectangular, se recomienda empezar el corte por el lado más pequeño.

Al esmerilar, no presione la máquina sobre la superficie que se está procesando, sino mueva el disco paulatinamente hacia adelante y hacia atrás. Los metales ligeros se procesan con discos especiales. Al esmerilar de forma basta, el mejor resultado se obtiene con un declive de 30° - 40° entre el disco y la superficie que se está procesando (Fig. 7). Al esmerilar de forma basta, no se deben usar discos de corte. No se

recomienda usar discos cuyo grosor sea superior a 10 mm.

Mantenimiento



ADVERTENCIA: Desconecte siempre la herramienta eléctrica y saque el enchufe de la toma de corriente antes de realizar cualquier revisión o mantenimiento.

CAMBIO DE CEPILLOS

La herramienta eléctrica está provista de cepillos de autodesconexión. Cuando los cepillos se desgasten, los dos deberán ser sustituidos simultáneamente por cepillos originales en un centro de servicio de SPARKY de mantenimiento de garantía y fuera de garantía.

REVISIÓN GENERAL

Revise regularmente todos los elementos de entibación y cerciédese de que hayan sido fuertemente atiesados. En caso de que alguno de los tornillos se haya aflojado, enrósquelo inmediatamente para evitar situaciones de riesgo. Si el cable de alimentación está dañado, su sustitución deberá efectuarse por el fabricante o por un técnico de servicio suyo a fin de evitar los peligros relativos a esta sustitución.

LIMPIEZA

Para una operación segura, mantenga la máquina y los orificios de ventilación siempre limpios. Revise regularmente que en la rejilla de ventilación, cerca del motor eléctrico o en torno a los conmutadores no se hayan infiltrado polvo o cuerpos ajenos. Utilice un cepillo suave para quitar el polvo acumulado. Lleve gafas de protección para preservar sus ojos durante la limpieza.

Si el cuerpo de la máquina debe limpiarse, límpielo con un paño húmedo y suave. Puede utilizarse un detergente de limpieza suave.



ADVERTENCIA: No se deben usar alcohol, gasolina ni otros disolventes. No utilice nunca detergentes corrosivos para limpiar las piezas de plástico.



ADVERTENCIA: El agua no debe entrar en contacto con la máquina.

¡IMPORTANTE! Para garantizar una operación segura con la herramienta eléctrica y su fiabilidad, todas las actividades relativas a su reparación, mantenimiento y regulación (incluida la revisión y el cambio de cepillos) deben efectuarse en los centros de servicio autorizados de SPARKY, empleando sólo piezas de recambio originales.

Garantía

El periodo de garantía de las herramientas SPARKY aparece indicado en la hoja de garantía.

Los daños debido a llevar ropa normal, a sobrecargas o manejo indebido se excluirán de la garantía.

Los daños debido al uso de materiales defectuosos, así como a defectos en la hechura serán subsanados libres de gastos por medio de sustitución o reparación.

Se reconocerán las quejas por herramientas SPARKY defectuosas si la máquina se devuelve al distribuidor o si se entrega al servicio autorizado de garantía sin desmontar, en su estado inicial.

Notas

Lea detenidamente todo el Manual de instrucciones antes de utilizar este producto.

El fabricante se reserva el derecho a cambiar las especificaciones sin previo aviso.

Las especificaciones pueden ser distintas de país a país.

Conteúdo

Introdução	62
Dados técnicos	64
Instruções gerais para a segurança do trabalho com instrumentos eléctricos	65
Instruções adicionais para a segurança do trabalho com rebarbadoras angulares	67
Conhecimento do instrumento eléctrico.....	A/70
Instruções para o trabalho	B/70
Manutenção.....	73
Garantia	74

DESEMBALAGEM

De acordo com as tecnologias de produção geralmente utilizadas, é pouco provável o novo instrumento eléctrico que você adquiriu ser ineficiente ou lhe faltar alguma peça. Mesmo assim, se você verificar que qualquer coisa não está bem, não trabalhe com o instrumento, enquanto a peça ineficiente não for substituída, ou a imperfeição não ficar eliminada. O não seguimento desta recomendação é capaz de provocar um acidente de trabalho grave.

MONTAGEM

A rebarbadora (angular) fornece-se embalada e montada, excepto o protector e o punho adicional.

Introdução

O novo instrumento eléctrico SPARKY que adquiriu vai ultrapassar as suas expectativas. Ele foi fabricado de acordo com os mais elevados padrões de qualidade da SPARKY, os quais vão de encontro com as exigências mais rigorosas do consumidor. Fácil de manutenção e seguro durante a utilização, sendo correctamente manipulado, este instrumento eléctrico servir-lhe-á fielmente durante muitos anos.

ATENÇÃO!



Leia atentamente toda a instrução para o uso, antes de começar a trabalhar com o seu novo instrumento eléctrico SPARKY. Preste especial atenção aos textos que começam com a palavra "Atenção". O seu instrumento eléctrico SPARKY possui qualidades que hão de facilitar o seu trabalho. Ao ser fabricado este instrumento eléctrico, maior atenção foi prestada à segurança, às qualidades de exploração e à fiabilidade, as quais fazem dele um instrumento fácil de manutenção e de exploração.



Não deitar o instrumento eléctrico para o lixo comum!

Os resíduos de aparelhos eléctricos não se devem misturar com o lixo comum. Mande-os para reciclagem nos lugares destinados a isso. Ponha-se em contacto com as autoridades locais ou com um representante para consultar a forma de reciclagem.

PROTECÇÃO DO MEIO AMBIENTE



Visando a protecção do meio ambiente, o instrumento eléctrico, os seus acessórios e embalagem têm de ser submetidos a uma adequada reelaboração para serem novamente utilizadas as matérias primas contidas neles.

Para facilitar a reciclagem, as peças feitas de materiais sintéticos levam a respectiva denotação.

DESCRIÇÃO DOS SÍMBOLOS

Sobre a chapa com os dados do instrumento eléctrico estão denotados os símbolos especiais que fornecem importante informação sobre o artefacto ou recomendações para o seu uso.



Duplo isolamento para protecção.



Conexão roscada do veio de rectificação M14.



Conformidade com as directrizes europeias aplicáveis.



Está conforme com as exigências dos regulamentos da União Alfandegária.



Leia a instrução para o uso.




Utilize sempre óculos protectores

YYYY-Www Período de fabrico, onde os símbolos variáveis são:
YYYY – ano de fabrico,
ww –a respectiva semana corrente do calendário

M, MA, MB, MBA Rebaradora angular.

Dados técnicos

Modelo	M2000 HD	MA2000 HD	M2200 HD	MA2200 HD	M2400 HD	MA2400 HD	MB2600P HD	MBA2600P HD
	MB2000P HD	MBA2000P HD	MB2200P HD	MBA2200P HD	MB2400P HD	MBA2400P HD		
Potência consumida	2000 W	2000 W	2200 W	2200 W	2400 W	2400 W	2600 W	2600 W
Numero de rotações nominal	8500 min ⁻¹	6600 min ⁻¹	8500 min ⁻¹	6600 min ⁻¹	8500 min ⁻¹	6600 min ⁻¹	8500 min ⁻¹	6600 min ⁻¹
Rosca do veio	M14	M14	M14	M14	M14	M14	M14	M14
Comprimento da rosca do veio	20 mm	20 mm	20 mm	20 mm	20 mm	20 mm	20 mm	20 mm
Diâmetro interior do disco	22.23	22.23	22.23	22.23	22.23	22.23	22.23	22.23
Diâmetro max. do disco	180 mm	230 mm	180 mm	230 mm	180 mm	230 mm	180 mm	230 mm
Espessura max. do disco	10 mm	10 mm	10 mm	10 mm	10 mm	10 mm	10 mm	10 mm
Peso (EPTA procedimento 01/2014)	5.4 kg	5.6 kg	5.3 kg	5.5 kg	6.0 kg	6.2 kg	6.1 kg	6.3 kg
	5.4 kg	5.6 kg	5.3 kg	5.5 kg	6.0 kg	6.2 kg		
Classe de segurança (EN 60745-1)	 II II II II II II II II							

INFORMAÇÃO SOBRE RUÍDO E VIBRAÇÕES

Os valores de medição averiguados conforme EN 60745.

Produção de ruído

A-nível medido de

pressão sonora L_{pA} 91 dB(A) 91 dB(A) 92 dB(A) 92 dB(A) 92 dB(A) 92 dB(A) 92 dB(A) 92 dB(A)

Indefinição K_{pA} 3.0 dB 3.0 dB 3.0 dB 3.0 dB 3.0 dB 3.0 dB 3.0 dB 3.0 dB

A-nível medido de

potência sonora L_{WA} 102 dB(A) 102 dB(A) 103 dB(A) 103 dB(A) 103 dB(A) 103 dB(A) 103 dB(A) 103 dB(A)

Indefinição K_{WA} 3.0 dB 3.0 dB 3.0 dB 3.0 dB 3.0 dB 3.0 dB 3.0 dB 3.0 dB

Utilize meios de protecção do ruído!

Produção de vibrações *

Valores totais de vibração (soma dos vectores das três direcções), determinadas conforme EN 60745:

Lixação de superfícies:

Valor das vibrações

produzidas $a_{h,AG}$ 5.1 m/s² 5.1 m/s² 5.0 m/s² 5.0 m/s² 4.9 m/s² 4.9 m/s² 5.0 m/s² 5.0 m/s²

Indefinição K_{AG} 1.5 m/s² 1.5 m/s² 1.5 m/s² 1.5 m/s² 1.5 m/s² 1.5 m/s² 1.5 m/s² 1.5 m/s²

Lixação com lixa

Valor das vibrações

produzidas $a_{h,DS}$ 5.4 m/s² 5.4 m/s² 5.4 m/s² 5.4 m/s² 5.4 m/s² 5.4 m/s² 5.4 m/s² 5.4 m/s²

Indefinição K_{DS} 2.0 m/s² 2.0 m/s² 1.5 m/s² 1.5 m/s² 1.5 m/s² 1.5 m/s² 2.0 m/s² 2.0 m/s²

* As vibrações foram determinadas consoante o p. 6.2.7 de EN 60745.

O nível das vibrações, indicado neste manual, foi determinado com base no teste indicado por EN 60745 e pode ser utilizado para a comparação de instrumentos eléctricos. O nível das vibrações pode ser utilizado para a avaliação prévia do grau de impacto.

O nível das vibrações declarado refere-se à utilização/função principal do instrumento. Caso o instrumento eléctrico seja utilizado para outros fins, ou forem utilizados outros acessórios, ou o instrumento não for bem tratado, o nível das vibrações diferenciar-se-á do declarado. Em tais casos o nível do impacto pode crescer consideravelmente dentro do período laboral total.

Ao avaliar o nível de impacto das vibrações, é preciso considerar também o tempo em que o instrumento está desligado, ou está ligado, mas sem funcionar. Tal pode diminuir consideravelmente o nível do impacto dentro do período laboral total.

Mantenha o instrumento eléctrico e os acessórios em bom estado. Cuide as mãos quentes durante o trabalho – isto vai diminuir o efeito nocivo do trabalho com instrumentos de vibração elevada.

O pó resultante do processamento dos materiais tais como pinturas com conteúdo de chumbo, certos tipos de madeiras, minerais e metais, pode ser nocivo para a saúde. O contacto directo ou a aspira-

ção do pó pode causar reacções alérgicas e/ou doenças das vias respiratórias do trabalhador ou das pessoas que se encontram perto dele.

Alguns tipos de pó, por exemplo o de carvalho ou de faia consideram-se carcinogênicos, sobretudo em combinação com ingredientes utilizados no processamento da madeira, tais como cromado ou conservantes. O material que contém amianto tem de ser processado só por especialistas.

- Para conseguir um alto grau de despoejamento ao trabalhar com este instrumento eléctrico, utilize aspirador de pó destinada a captar pó de madeira ou pó de partículas minerais.

- Garanta a boa ventilação do posto de trabalho.

- Recomenda-se o uso de máscara protectora contra o pó com filtro da classe P2.

Cumpra as regras vigentes no Seu país referentes ao processamento dos diferentes materiais.

Todos os modelos com índice A tem diâmetro do disco 230 mm. Ao faltar tal indicador, isto significa que o modelo tem diâmetro do disco Ø180 mm.

Os modelos com índice B têm inserido um dispositivo electrónico que garante o aumento gradual das rotações até as nominais e limitação da corrente de arranque até 16 A.

Os modelos com índice P possuem defesa contra arranque involuntário no caso de queda momentânea da corrente eléctrica ou desligamento da máquina da corrente por mais de 0,5 s. O instrumento fica desligado e pode ser accionado só desligando e ligando de novo o interruptor de arranque. Ao faltar tal indicador, isto significa que o interruptor de arranque não tem travamento em posição de ligado. O funcionamento dessa defesa descreve-se na secção "Instruções para o trabalho".

Instruções gerais para a segurança de trabalho com Instrumentos eléctricos



ATENÇÃO! Devem ser lidas todas as indicações de advertência e todas as instruções. O desrespeito das advertências e instruções apresentadas abaixo pode causar choque eléctrico, incêndio e/ou graves lesões.

Guarde bem todas as advertências e instruções para futura referência.

O termo "Ferramenta eléctrica" utilizado a seguir nas indicações de advertência, refere-se a ferramentas eléctricas operadas com corrente de rede (com cabo de rede) e a ferramentas eléctricas operadas com bateria (sem cabo de rede).

1) Segurança da área de trabalho

- a) **Mantenha a sua área de trabalho sempre limpa e bem iluminada.** Desordem ou áreas de trabalho insuficientemente iluminadas podem levar a acidentes.

- b) **Não trabalhar com a ferramenta eléctrica em áreas com risco de explosão, nas**

quais se encontrem líquidos, gases ou pós inflamáveis. Ferramentas eléctricas produzem faíscas, que podem inflamar pós ou vapores.

- c) **Manter crianças e outras pessoas afastadas da ferramenta eléctrica durante a utilização.** No caso de distração é possível que perca o controlo sobre o aparelho.

2) Segurança eléctrica

- a) **A ficha de conexão da ferramenta eléctrica deve caber na tomada. A ficha não deve ser modificada de maneira alguma. Não utilizar uma ficha de adaptação junto com ferramentas eléctricas protegidas por ligação a terra. Fichas não modificadas e tomadas apropriadas reduzem o risco de um choque eléctrico.**

- b) **Evitar que o corpo possa entrar em contacto com superfícies ligadas a terra, como tubos, aquecimentos, fogões e frigoríficos. Há um risco elevado devido a choque eléctrico, se o corpo estiver ligado a terra.**

- c) **Manter o aparelho afastado de chuva ou humidade. A infiltração de água numa ferramenta eléctrica aumenta o risco de choque eléctrico.**

- d) **Não deverá utilizar o cabo para outras finalidades. Jamais utilizar o cabo para transportar a ferramenta eléctrica, para pendurá-la, nem para puxar a ficha da tomada. Manter o cabo afastado de calor, óleo, cantos afiados ou partes do**

aparelho em movimento. *Cabos danificados ou emaranhados aumentam o risco de um choque eléctrico.*

- e) **Se trabalhar com uma ferramenta eléctrica ao ar livre, só deverá utilizar cabos de extensão apropriados para áreas exteriores.** *A utilização de um cabo de extensão apropriado para áreas exteriores reduz o risco de um choque eléctrico.*
- f) **Se não for possível evitar o funcionamento da ferramenta eléctrica em áreas húmidas, deverá ser utilizado uma disjuntor de corrente de avaria.** *A utilização de um disjuntor de corrente de avaria reduz o risco de um choque eléctrico.*

3) Segurança de pessoas

- a) **Esteja atento, observe o que está a fazer e tenha prudência ao trabalhar com a ferramenta eléctrica. Não utilizar uma ferramenta eléctrica quando estiver fatigado ou sob a influência de drogas, álcool ou medicamentos.** *Um momento de descuido ao utilizar a ferramenta eléctrica, pode levar a lesões graves.*
- b) **Utilizar equipamento de protecção pessoal e sempre óculos de protecção.** *A utilização de equipamento de protecção pessoal, como máscara de protecção contra pó, sapatos de segurança antiderrapantes, capacete de segurança ou protecção auricular, de acordo com o tipo e aplicação da ferramenta eléctrica, reduz o risco de lesões.*
- c) **Evitar uma colocação em funcionamento involuntária.** *Assegure-se de que a ferramenta eléctrica esteja desligada, antes de conectá-la a alimentação de rede e/ou ao acumulador, antes de levantá-la ou de transportá-la. Se tiver o dedo no interruptor ao transportar a ferramenta eléctrica ou se o aparelho for conectado a alimentação de rede enquanto estiver ligado, poderão ocorrer acidentes.*
- d) **Remover ferramentas de ajuste ou chaves de boca antes de ligar a ferramenta eléctrica.** *Uma ferramenta ou chave que se encontre numa parte do aparelho em movimento pode levar a lesões.*
- e) **Evite uma posição anormal. Mantenha uma posição firme e mantenha sempre o equilíbrio.** *Desta forma é mais fácil controlar a ferramenta eléctrica em situações inesperadas.*
- f) **Usar roupa apropriada. Não usar roupa larga nem jóias. Mantenha os cabelos, roupas e luvas afastadas de partes em**

movimento. *Roupas frouxas, cabelos longos ou jóias podem ser agarrados por peças em movimento.*

- g) **Se for possível montar dispositivos de aspiração ou de recolha, assegure-se de que estejam conectados e utilizados correctamente.** *A utilização de uma aspiração de pó pode reduzir o perigo devido ao pó.*
- ### 4) Utilização e manuseio cuidadoso de ferramentas eléctricas
- a) **Não sobrecarregue o aparelho. Utilize a ferramenta eléctrica apropriada para o seu trabalho.** *É melhor e mais seguro trabalhar com a ferramenta eléctrica apropriada na área de potência indicada.*
 - b) **Não utilizar uma ferramenta eléctrica com um interruptor defeituoso.** *Uma ferramenta eléctrica que não pode mais ser ligada nem desligada, é perigosa e deve ser reparada.*
 - c) **Puxar a ficha da tomada e/ou remover o acumulador antes de executar ajustes no aparelho, de substituir acessórios ou de guardar o aparelho.** *Esta medida de segurança evita o arranque involuntário da ferramenta eléctrica.*
 - d) **Guardar ferramentas eléctricas não utilizadas fora do alcance de crianças.** *Não permita que pessoas que não estejam familiarizadas com o aparelho ou que não tenham lido estas instruções, utilizem o aparelho. Ferramentas eléctricas são perigosas se forem utilizadas por pessoas inexperientes.*
 - e) **Tratar a ferramenta eléctrica com cuidado.** *Controlar se as partes móveis do aparelho funcionam perfeitamente e não emperram, e se há peças partidas ou danificadas que possam prejudicar o funcionamento da ferramenta eléctrica. Permitir que peças danificadas sejam reparadas antes da utilização. Muitos acidentes têm como causa, a manutenção insuficiente de ferramentas eléctricas.*
 - f) **Manter as ferramentas de corte afiadas e limpas.** *Ferramentas de corte cuidadosamente tratadas e com cantos de corte afiados emperram com menos frequência e podem ser conduzidas com maior facilidade.*
 - g) **Utilizar a ferramenta eléctrica, acessórios, ferramentas de aplicação, etc. conforme estas instruções.** *Considerar as condições de trabalho e a tarefa a ser executada. A utilização de ferramentas*

eléctricas para outras tarefas a não ser as aplicações previstas, pode levar a situações perigosas.

5) Serviço

- a) Só permita que o seu aparelho seja reparado por pessoal especializado e qualificado e só com peças de reposição originais. *Desta forma é assegurado o funcionamento seguro do aparelho.*

Instruções adicionais para a segurança do trabalho com Rebarbadoras angulares

Instruções gerais para a lixagem com disco abrasivo, com lixa, limpeza com escova de arame, polimento e corte com disco abrasivo:

- a) Este instrumento eléctrico pode ser utilizado como máquina de rebarbar com disco abrasivo, com lixa, com escova de arame, máquina de polir e máquina de corte com disco abrasivo. *Leia todas as instruções para a segurança do trabalho, indicações e imagens que recebeu junto com o instrumento. O incumprimento das instruções para a segurança pode provocar lesões pela corrente eléctrica, incêndio e/ou ferimento sério.*
- b) Este instrumento eléctrico não é adequado para polimento. *Operações para as quais o instrumento não é destinado podem provocar perigo de ferimento.*
- c) **Não use acessórios que não são permitidos nem recomendados pelo fabricante especialmente para este instrumento.** *O facto de que você possa ajustar acessórios ao seu instrumento eléctrico não garante o uso seguro do Instrumento.*
- d) **As rotações nominais do acessório têm de ser pelo menos iguais aos indicados sobre o instrumento rotações máximas.** *Os acessórios que giram com velocidade maior do que a sua velocidade nominal podem ficar partidos e os seus pedaços a voarem.*
- e) **O diâmetro externo e a espessura do instrumento de trabalho têm de ficar nas marcas das dimensões indicadas para o**

seu instrumento eléctrico. *Acessórios de dimensões inadequadas não podem ser assegurados e geridos bem.*

- f) **Ferramentas de trabalho com encaixe roscado devem caber exactamente na rosca do veio de rectificação.** *Para ferramentas de trabalho montadas com flange é necessário que o diâmetro do furo da ferramenta de trabalho tenha as dimensões apropriadas para o flange. Ferramentas de trabalho, que não são fixas exactamente na ferramenta eléctrica, giram de forma irregular, vibram fortemente e podem levar à perda de controlo.*
- g) **Não use acessórios danificados.** *Antes de cada uso verifique os acessórios – os discos abrasivos para superfícies dentadas e rachadas, os discos elásticos para rachaduras, rupturas ou desgaste sensível, as escovas de arame para fios afrouxados ou partidos. Se deixar cair o instrumento ou o acessório ao chão, verifique se está danificado ou monte um acessório novo. Depois de o acessório ter sido verificado e montado, ponha-se junto com os espectadores num lugar fora da superfície de rotação do acessório e deixe o instrumento trabalhar ao ralenti às rotações máximas durante 1 minuto. Normalmente esse tempo é suficiente para os acessórios danificados ficarem partidos.*
- h) **Use meios individuais de protecção. Segundo o caso concreto, use máscara protectora para a cara ou óculos protectores.** *Caso seja necessário, use máscara anti pó, meios de protecção do ouvido, luvas protectoras ou avental especial. Os meios de protecção dos olhos têm de proteger das partículas voantes surgidas nas diferentes operações. Os meios de protecção contra o pó e os gases têm de filtrar as partículas que surgem durante o trabalho. A exposição prolongada a ruído forte pode provocar problemas auditivos.*
- i) **Mantenha os espectadores a uma distância segura da zona de trabalho.** *Cada pessoa que se encontra na zona de trabalho tem de usar meios individuais de protecção. É possível que aparas voantes da peça processada ou do acessório partido provoquem ferimento mesmo fora da zona imediata de trabalho.*
- j) **Pegue no instrumento só pelas superfícies isoladas quando está a realizar**

qualquer operação na qual o acessório cortante pode ter contacto com instalação eléctrica escondida ou com o cordão próprio. O contacto do acessório cortante com cabo sob tensão colocará também as partes metálicas descobertas sob tensão e o operário pode sofrer um choque eléctrico.

k) **Mantenha o cabo alimentador fora do alcance do acessório em funcionamento.** Se perder o controlo sobre o instrumento, o cabo alimentador pode ficar cortado ou levar a sua mão para a área de rotação do instrumento.

l) **Nunca deixe o instrumento antes de o acessório ter parado definitivamente a rotação.** O acessório girando pode apanhar o material processado e perder o controlo sobre o instrumento.

m) **Não deixe o instrumento trabalhar enquanto o estiver transportando.** Contacto casual do acessório girando com a sua roupa pode apanhá-la e assim causar danos corporais.

n) **Limpe regularmente as aberturas de ventilação do instrumento.** O ventilador do motor aspira pó no corpo do instrumento e a acumulação exagerada de pó de metal pode provocar risco de ferimento com a corrente eléctrica.

o) **Não use o instrumento perto de materiais inflamáveis.** As faíscas podem acender esses materiais.

p) **Não use acessórios com os quais se exigem substâncias líquidas de arrefecimento no trabalho.** O uso de água ou outras substâncias de arrefecimento pode causar avaria ou choque eléctrico.

▪ **O instrumento tem de se usar só para o que for destinado.** Qualquer outro uso diferente do que está descrito neste manual considerar-se-á uso incorrecto. A responsabilidade de qualquer avaria ou ferimento que decorrem do uso incorrecto será assumida pelo consumidor e não pelo fabricante.

▪ **O fabricante não assume a responsabilidade pelas alterações feitas no instrumento pelo consumidor, nem pelas avarias que decorrem dessas alterações.**

▪ **Ao trabalhar em ambiente poeirento, as aberturas de ventilação do instrumento têm de se manter limpas.** Caso seja necessário limpá-las do pó acumulado, primeiro desligue o instrumento da corrente e use objectos não metálicos para

limpar o pó procurando não danificar as peças internas do instrumento. O instrumento vai ficar sobreaquecido ao diminuir o arrefecimento devido à acumulação de pó nas aberturas de ventilação.

▪ **O instrumento não pode ser usado ao ar livre em tempo de chuva, em ambiente húmido (depois de chuva) ou perto de líquidos facilmente inflamáveis.** O local de trabalho tem de ficar bem iluminado.

Outras instruções de segurança de todas as operações

Ricochete (golpe contrário) e as instruções de segurança relacionadas com ele

Ricochete é a reacção repentina em resultado de congestionamento ou bloqueamento dum acessório, digamos, disco abrasivo, disco elástico, escova de arame, etc. O congestionamento ou bloqueamento produz a paragem repentina da rotação do acessório, o qual, por sua vez, empurra o instrumento não controlado para o sentido contrário ao do sentido da rotação do instrumento no ponto do congestionamento. Por exemplo, se o disco abrasivo ficar congestionado ou bloqueado na peça, a borda do disco abrasivo inserido na peça fica ali e depois o disco pode-se partir ou provocar ricochete. O disco abrasivo salta no sentido do operário ou no sentido contrário dependendo isto do sentido da rotação do disco no lugar do bloqueamento. Nestas circunstâncias é possível que os discos abrasivos fiquem partidos. O ricochete é o resultado do uso e/ou exploração ou condições de trabalho incorrectos e pode ser evitado observando as medidas de segurança a seguir:

a) **Pegue no instrumento bem, ocupe posição adequada e mantenha as mãos de modo que possa dominar a força do ricochete.** Use sempre o punho adicional, se o instrumento for provido de tal para ter o maior controlo possível sobre a força do ricochete ou sobre o momento de reacção na altura do accionamento. Mediante medidas de protecção adequadas, o operário pode dominar o momento de reacção e o ricochete.

b) **Nunca ponha as mãos perto do acessório girando.** O acessório pode saltar sobre a Sua mão.

c) **Não fique na área da eventual deslocação do instrumento em caso de ricochete.** O ricochete movimenta o instrumento em sentido contrário ao do movimento do disco abrasivo no lugar do bloqueamento.

- d) **Quando está a processar ângulos, bordas afiadas, etc., trabalhe com a atenção elevada. Não permita que o acessório salte ou bloqueie a peça. No trabalho com ângulos, bordas afiadas, etc., existe o perigo de o acessório que gira fique congestionado e provoque perda de controlo ou ricochete.**
- e) **Não use discos em cadeia ou circulares para processar madeira. Esses acessórios provocam frequentemente ricochete ou perda de controlo sobre o instrumento.**
 - **Fixe a peça processada com um grampo ou de outro modo adequado.**

Instruções específicas para a segurança do trabalho de lixagem e corte com disco abrasivo.

- a) **Use só os tipos de discos com o respectivo protector recomendados para o instrumento. Discos que não foram fabricados para esse instrumento não podem ser devidamente protegidos e não são seguros.**
- b) **Rebolos acotovelados devem ser montados de modo que a sua superfície retificadora não sobressaia do nível da borda da cobertura de protecção. Um rebolo montado de forma incorreta, que sobressaia do nível da borda da cobertura de protecção, não pode ser suficientemente protegido.**
- c) **O protector tem de se fixar bem ao instrumento e estar disposto de modo que garanta a segurança máxima, i.e., uma parte mínima possível do disco ficar aberta para com o operário. O protector tem de proteger o operário de partículas voantes, contacto casual com o disco e faíscas que poderiam incendiar a roupa.**
- d) **Os discos têm de ser usados apenas para as aplicações recomendadas. Por exemplo, nunca lixe com a superfície lateral dum disco cortante. Os discos cortantes são destinados a remoção de material com a borda do disco. Ao exercer pressão lateral sobre um disco deste tipo, ele pode ficar partido.**
- e) **Use sempre flanges de compressão perfeitos de dimensão e forma adequadas para o disco escolhido. Os flanges de compressão correctamente escolhidos fixam o disco e diminuem o perigo de ele ficar partido. Os flanges de compressão para discos cortantes podem ser diferentes dos flanges de compressão para outros discos.**

- f) **Não use discos gastos de instrumentos eléctricos maiores. O disco para um instrumento maior não é adequado para as revoluções mais aceleradas dum instrumento menor e pode ficar partido.**
 - **Observe sempre o sentido de rotação do disco. A força de reacção é contrária ao sentido da rotação no lugar de lixagem ou corte, sendo uma premissa para a perda de controlo sobre o instrumento.**
 - **Mantenha sempre o instrumento de modo que as faíscas e o pó se dispersarem longe do corpo humano. Os instrumentos eléctricos produzem faíscas que podem queimar a roupa ou as partes desprotegidas do corpo.**
 - **Não se admite lixagem e corte de construções metálicas recém-pintadas antes de a pintura ter secado. Existe o perigo de a pintura ainda sem secar incendiar-se.**
 - **Não se admite cortar materiais inflamáveis (madeira, plásticos, etc.) e de construções pré-fabricadas do tipo “sanduíche” com recheio inflamável. Existe o perigo de incêndio.**
 - **Não se admite lixagem e corte de equipamentos que trabalham sob pressão. Existe o perigo de explosão.**
 - **Não se admite lixagem e corte de tanques, tubagens, aparelhos, etc. nos quais há ou tem havido substâncias e materiais inflamáveis, sem ter tomado previamente as respectivas medidas de segurança contra incêndio e explosão. Existe o perigo de incêndio ou explosão.**

Instruções específicas para a segurança do trabalho de corte com disco abrasivo

- a) **Evite congestionamento do disco cortante ou aplicação duma pressão exagerada. Não tente fazer cortes profundos de mais. A sobrecarga no disco cortante aumenta o seu desgaste e a sua susceptibilidade para torcimento ou bloqueamento, daí a possibilidade de ricochete ou fractura do disco.**
- b) **Não fique na zona diante ou detrás do disco girando. Se o disco cortante no lugar do corte se vai afastando do seu corpo, no caso dum eventual ricochete empurraria o instrumento com o disco girando directamente para o seu corpo.**
- c) **Caso o disco cortante tenha ficado congestionado ou por alguma razão Você**

tenha interrompido o trabalho, desligue o instrumento e mantenha-o imóvel até o disco ter deixado de girar definitivamente. Nunca tente retirar o disco da secção enquanto girar, pois no caso contrário pode provocar ricochete. *Descubra e elimine a causa do congestionamento.*

- d) **Nunca ligue de novo o instrumento enquanto o disco cortante se encontrar ainda dentro da peça. Deixe o disco cortante atingir as suas rotações máximas antes de introduzi-lo com cuidado da secção. Caso contrário, o disco pode ficar congestionado, escorregar da peça ou saltar para trás.**
- e) **Segure com suportes adicionais as lajes ou peças de maiores dimensões para diminuir o risco de congestionamento e ricochete. As peças de maiores dimensões ficam inclinadas em resultado do seu próprio peso. A peça tem de se apoiar pelos dois lados do disco, tanto perto da secção, como também nos seus extremos.**
- f) **Esteja especialmente atento ao cortar canais em paredes existentes ou noutras superfícies muradas. O disco que sobressai para frente pode cortar tubagens de gás ou de água, instalação eléctrica ou outros objectivos, o qual pode provocar ricochete.**

Instruções específicas de segurança do trabalho de lixagem com lixa

- a) **Não use folhas de lixa grandes de mais, observe as instruções do produtor quanto às dimensões da lixa. Quando a folha de lixa sai para fora do disco elástico, pode ficar partido, provocar bloqueamento, factura da lixa ou ricochete.**

Instruções específicas de segurança do trabalho com escovas de arame

- a) **Tenha em conta que num processo de trabalho normal da escova de arame caem fios de arame. Não sobrecarregue os fios ao apertar exageradamente a escova. Os fios de arame voantes podem penetrar na roupa fina e/ou na pele.**
- b) **No trabalho com escova de arame recomenda-se o uso de protector, não admita que o protector e a escova de arame em forma de disco ou de taça entrem em contacto. As escovas de arame em forma de disco ou de taça podem aumentar o seu diâmetro sob a influência da pressão durante o trabalho ou da forças centrífugas.**

Conhecimento do instrumento eléctrico

Antes de começar o trabalho com o instrumento, informe-se sobre todas as suas especificidades operacionais e condições de segurança. Use o instrumento e os seus acessórios só para o que forem destinados. Qualquer outra aplicação fica terminantemente proibida.

1. Veio de rectificação
- 2.1 Disco rebarbador (utilizar só com protector para disco rebarbador)*
- 2.2 Disco cortante (utilizar só com protector para disco cortante)*
- 3.1 Protector do disco rebarbador
- 3.2 Protector do disco cortante*
4. Flange de apoio
5. Porca de aperto
6. Punho adicional
7. Interruptor de ligar/desligar
8. Botão de bloqueio do interruptor
9. Botão de bloqueio do veio

ACESSÓRIOS QUE PODEM SER UTILIZADOS COM ESTE INSTRUMENTO ELÉCTRICO

10. Escova de arame*
11. Prato abrasivo de borracha*
12. Folha de lixar*
13. Porca especial*

* Os acessórios adicionais desenhados nas figuras ou descritas na instrução não estão incluídos no conjunto do instrumento.

Instruções para o trabalho

Estes instrumentos eléctricos alimentam-se unicamente por tensão alternada monofásica. Têm duplo isolamento conforme EN 60745 e IEC 60745 e podem juntar-se a tomadas sem terminais protectores. As radio perturbações estão estão conforme a Directriz pela compatibilidade electromagnética.

Este instrumento eléctrico é destinada para cortar, desbastar e para escovar substâncias metálicas e de pedra sem utilizar água.

ANTES DE COMEÇAR O TRABALHO

- O instrumento eléctrico pode fornecer-se com protector montado. Verifique se sempre o protector do disco esta correctamente colocado e bem apertado.
- O instrumento eléctrico pode fornecer-se com disco rebarbador ou cortante montado. Verifique se sempre o disco está correctamente colocado e bem apertado.
- Verifique se a tensão da rede eléctrica corresponde à que está indicada sobre a chapa com os dados técnicos do instrumento eléctrico.
- Verifique em que posição se encontra o interruptor. O instrumento tem de se ligar e desligar da rede só com o interruptor desligado. Se meter a tomada na rede enquanto o interruptor estiver em posição de accionado, o instrumento accionar-se-á imediatamente, o qual é premissa para um acidente.
- Assegure-se da perfeição do cabo de alimentação e do pino de tomada. Se o cabo de alimentação está danificado, a sua substituição tem de se fazer pelo produtor ou por especialista de serviço autorizado por ele para evitar os perigos decorrentes dessa operação.



ADVERTÊNCIA: Desligue o pino da tomada antes de realizar quaisquer consertos, reparações ou manutenção, bem como nos casos de corte de corrente.

- Ao utilizar discos de corte diamantados deverá assegurar-se de que a seta do sentido de rotação sobre o disco de corte diamantado coincida com o sentido de rotação da ferramenta eléctrica (veja seta do sentido de rotação sobre o cabeçote de engrenagens).
- Verifique se o diâmetro e a espessura do disco não ultrapassam os indicados nos dados técnicos. A velocidade periférica admissível marcada sobre o disco não tem de ser menor de 80 m/s. Os discos têm de se conservar e o trabalho com eles tem de obedecer às instruções do seu produtor.
- Se a zona de trabalho estiver afastada da fonte de alimentação, use extensão o mais curto possível de secção adequada.
- Verifique se o punho adicional está correctamente colocado e bem apertado.

ARRANQUEO – PARAGEM

A máquina rebarbadora está equipada contra accionamento espontâneo (só para os modelos

com índice P)

- Arranque: inicialmente empurra-se para frente o botão de bloqueio do interruptor (8) do lado de baixo do manípulo e depois aperta-se a alavanca principal do interruptor de ligar/desligar (7). Para trabalho mais prolongado o interruptor de ligar/desligar (7) pode ficar travado (só para os modelos com indicador P). Nesse caso, apertando a alavanca do interruptor de ligar/desligar (7) aperta-se o botão de bloqueio do interruptor (8), depois do qual afrouxa-se a alavanca.
- Paragem: o interruptor de ligar/desligar (7) afrouxa-se, mas quando está travado, primeiro aperta-se e depois afrouxa-se.

Os modelos com índice P possuem defesa contra arranque involuntário no caso de queda momentânea da tensão alimentadora ou desligação da máquina da corrente por mais de 0,5 s. O instrumento fica desligado e pode ser accionado só desligando e ligando de novo o interruptor de ligar/desligar (7). Ao faltar tal indicador, isto significa que o interruptor de arranque não tem travamento em posição de ligado.

PROTECTOR DO DISCO



ADVERTÊNCIA: O protector do disco rebarbador (3.1) ou o protector do disco cortante (3.2), respectivamente para o disco rebarbador (2.1) ou para o disco cortante (2.2) tem de estar sempre montado na máquina!



ADVERTÊNCIA: Antes de efectuar as operações seguintes, a máquina tem de estar desligada da corrente.

Colocação do protector (fig.1)

- Dobre o anel preto de plástico (fig. 2a), de modo que a fenda S do anel coincida com o entalhe onde cai o dente da alavanca de bloqueio L
- Coloque o protector em posição não operacional (fig.2a) de maneira que os quatro dentes coincidam com as quatro fendas no encaixe do rolamento (fig.2b)
- Aperte a alavanca L (fig.3) até ela ficar livre.
- Aperte o protector para baixo e dobre-o até à posição operacional necessária (fig.4)
- Afrouxe a alavanca de travamento L até uma posição estável na qual o protector fique

travado (a borda da alavanca de travamento entra numa das fendas do protector)

Dobrar o protector para uma nova posição operacional

- Aperte a alavanca de travamento L (fig.3) até ficar livre.
- Dobre o protector para a nova posição operacional desejada.
- Afrouxe a alavanca de travamento L até uma posição estável na qual o protector fique travado (a borda da alavanca de travamento entra numa das fendas do protector)

Remoção do protector

- Aperte a alavanca de travamento L (fig.3) até ficar livre.
- Dobrar o protector em posição não operacional (fig.2a) de maneira que os quatro dentes coincidam com as quatro fendas no encaixe do rolamento (fig.2b)
- Retire o protector

MUDANÇA DO DISCO



ADVERTÊNCIA: Antes de efectuar as operações seguintes, a máquina tem de estar desligada da corrente.

O veio de rectificação (1) da máquina rebarbadora fixa-se. Para todos os modelos isto faz-se apertando o botão de bloqueio do veio (9) que se encontra sobre a caixa redutora da máquina.



ADVERTÊNCIA: Não se admite apertar o botão de bloqueio do veio (9) enquanto o fuso girar.

- Sendo o botão apertado, dobra-se o fuso no sentido contrário ao assinalado sobre o protector do disco (3) até o fuso ficar bem afundado. A porca de aperto (5) desenrola-se com uma chave especial. O novo disco coloca-se sobre o flange de apoio (4) com as inscrições para cima, ao passo que a porca de aperto (5) aperta-se com a chave especial. Utilize as argolas de suporte de papel, se o disco está apetrechado delas. Depois da mudança do disco, ponha a máquina a trabalhar por volta de um minuto sem carga. Os discos vibrantes ou de rotação irregular têm de ser imediatamente substituídos.
- A escova de arame (10) enrola-se directamente sobre o veio de rectificação (1) com

a ajuda duma chave-inglesa. (Verificar se o comprimento da rosca da escova é suficiente para abranger a rosca do veio).

- A rebarbagem com lixa e o polimento fazem-se com o prato abrasivo de borracha (11), de baixo do qual se coloca a folha de lixar (12). O prato abrasivo de borracha (11) coloca-se sobre o flange de apoio (4) e aperta-se com a porca especial (13), com a qual está apetrechado. Caso seja utilizado disco operacional com argola inserida, ele enrola-se directamente no veio, sem utilizar a porca de aperto (5), com a ajuda duma chave-inglesa. O disco de porca inserida pode ser de esponja que contém resina, pode ser de polipenuretano com suporte de plástico no qual está inserida a porca, ao passo que a própria lamina de lixa ou feltro de lã liga-se ao disco de polipenuretano mediante um sistema de “colagem”. Depois de mudar o prato abrasivo de borracha ponha o instrumento a trabalhar com o novo disco por volta de um minuto sem carga. Os discos que vibram ou giram de modo irregular têm de ser imediatamente substituídos.

PUNHO ADICIONAL (FIG. 5)

Normalmente o punho adicional (6) coloca-se do lado esquerdo da máquina. Pode-se colocar do lado direito também, se tal for mais cómodo para o operador.

O punho adicional destes modelos vem ligada ao corpo do instrumento mediante elementos que eliminam as vibrações, as quais protege o operário e diminui o cansaço durante o trabalho (só para os modelos com punho adicional anti vibrações).

ROTAÇÃO DO CORPO DA MÁQUINA

O corpo da máquina pode girar aos 90°. Esta posição aplica-se quando a máquina se utiliza principalmente para cortar. Nesse caso, a rotação do corpo tem de se fazer por pessoas competentes no respectivo serviço autorizado de assistência de instrumentos manuais SPARKY.

RECOMENDAÇÕES

Ao trabalhar com disco cortante não exerça pressão, nem mova o disco transversalmente à secção. Trabalhe com avance moderado, adequado para o material processado. É importante o sentido do corte. A máquina tem de avançar no sentido contrário à rotação do disco. Caso contrário, existe o perigo o disco sair sem con-

trolo fora da secção (Fig.6) Ao cortar perfis e tubos de secção rectangular, recomenda-se começar pela parte mais pequena.

Na rebarbagem não pressione a máquina sobre a superfície processada, mas mova o disco suavemente para frente - para trás. Os metais ligeiros processam-se com discos especiais. O melhor resultado na rebarbagem tosca consegue-se com inclinação de 30° - 40° entre o disco e a superfície processada (Fig. 7). Para rebarbagem tosca não se admite o uso de discos cortantes. O uso de discos de espessura maior que 10 mm não se recomenda.

Manutenção



ADVERTÊNCIA: Desligue sempre o instrumento da corrente quando vai efectuar qualquer revisão ou manutenção.

SUBSTITUIÇÃO DAS ESCOVAS

O instrumento eléctrico está equipado com escovas de auto-exclusão. Quando as escovas ficarem gastas, ambas têm de ser substituídas simultaneamente por escovas originais da oficina de serviço da SPARKY para assistência no prazo de garantia e fora dele.

REVISÃO GERAL

Verifique regularmente todos os elementos de suporte e verifique se estão bem apertados. Caso algum parafuso tenha ficado afrouxado, aparafuse-o o imediatamente para evitar situações de risco.

Se o cabo alimentador estiver danificado, a substituição tem de se fazer pelo produtor ou seu especialista autorizado de oficina de serviço, para evitar os perigos da substituição.

LIMPEZA

Para um trabalho seguro mantenha sempre limpo o instrumento e as aberturas de ventilação. Verifique regularmente se na grelha da ventilação perto do motor eléctrico e dos comutadores não tenham penetrado pó ou corpos alheios. Use uma escova fina para remover o pó acumulado. Para proteger os olhos durante a limpeza use óculos protectores. Caso o corpo do instrumento precise de limpeza, use um pano macio húmido. Pode usar também algum detergente fraco.



ADVERTÊNCIA: Não se admite o uso de álcool, gasolina ou outros solventes. Nunca use substâncias corrosivas para limpar as partes de plástico.



ADVERTÊNCIA: Não se admite a entrada de água em contacto com o instrumento.

IMPORTANTE! Para garantir o trabalho seguro com o instrumento e a confiança nele, todas as actividades relacionadas com reparação, manutenção e regulação (incluindo a revisão e substituição das escovas) têm de se fazer nas oficinas de serviço autorizadas da SPARKY utilizando só peças de substituição originais.

Garantia

O prazo de garantia dos instrumentos eléctricos SPARKY está indicado no cartão de garantia. Problemas surgidos em resultado do desgaste natural, sobrecarga ou utilização incorrecta, ficam excluídos dos deveres da garantia. Os problemas surgidos devido ao uso de materiais de baixa qualidade e/ou erros de fabricação, eliminam-se sem pagamento adicional mediante substituição ou reparação.

Reclamação por um instrumento eléctrico SPARKY defeituoso reconhece-se quando o instrumento for devolvido ao distribuidor ou for levado a uma oficina autorizada de assistência em prazo de garantia no seu estado inicial (montado).

Observações

Leia atentamente toda a instrução para o uso, antes de começar a trabalhar com este aparelho. O fabricante reserva-se o direito de introduzir melhoras e modificações nos seus aparelhos, bem como modificar as especificações sem aviso.

As especificações podem variar de país para país.

Spis treści

Wstęp	75
Dane techniczne	77
Ogólne instrukcje bezpieczeństwa	78
Instrukcje bezpieczeństwa dla szlifierek kątowych	80
Podstawowe elementy	A/83
Obsługa	B/83
Konserwacja	85
Gwarancja	86

ROZPAKOWANIE

Państwa produkt został zmontowany i zapakowany z należytą starannością, istnieje niewielkie prawdopodobieństwo, że urządzenie może być uszkodzone lub brakować części. Jeśli zostanie taki fakt stwierdzony nie należy używać urządzenia do momentu usunięcia braków. Praca niekompletnym urządzeniem może być przyczyną poważnych uszkodzeń ciała.

MONTAŻ

Szlifierka kąтова jest dostarczana w pełni zmontowana z wyjątkiem osłony tarczy oraz uchwytu dodatkowego.

Wprowadzenie

Gratulujemy wyboru urządzenia SPARKY, zdolnego spełnić oczekiwania najbardziej wymagającego użytkownika. Urządzenie zostało wyprodukowane zgodnie z rygorystycznymi standardami jakości SPARKY, aby zapewnić najwyższą jakość funkcjonowania. To łatwe i bezpieczne w użytkowaniu urządzenie, odpowiednio stosowane i konserwowane, zapewni Państwu długie lata niezawodnej pracy.

UWAGA!



Prosimy o dokładne zapoznanie się z niniejszą instrukcją obsługi przed użyciem urządzenia SPARKY, zwracając szczególną uwagę na ostrzeżenia i uwagi. Dzięki swoim cechom, urządzenie SPARKY zapewnia szybką i łatwą pracę. Bezpieczeństwo, niezawodność i wydajność były priorytetami przy konstruowaniu tego urządzenia aby zapewnić łatwość obsługi oraz utrzymania.



Nie wyrzucać urządzeń elektrycznych razem z odpadami domowymi!

Zużyte urządzenia elektryczne nie mogą być wyrzucane wraz z odpadami z gospodarstwa domowego. Tam gdzie to możliwe, należy oddać zużyte urządzenie do punktu odzyskiwania surowców. Należy skontaktować się z władzami lokalnymi lub sprzedawcą w celu uzyskania informacji odnośnie odzyskiwania surowców.

OCHRONA ŚRODOWISKA



Urządzenie, akcesoria oraz opakowanie powinny zostać odpowiednio posortowane przed recyklingiem. Części plastikowe są oznaczone odnośnie odpowiedniej kategorii odzyskiwania surowca.

OPIS SYMBOLI

Tabliczka znamionowa urządzenia może przedstawiać symbole. Przedstawiają one ważne informacje o produkcie lub jego obsłudze.



Podwójna izolacja.



Gwint wrzeciona: M14



Zgodny z odpowiednimi dyrektywami europejskimi.



Spełnia wymagania przepisów Unii Celnej.



Zapoznać się z instrukcją obsługi.



Stosować okulary ochronne.

YYYY-Www Okres produkcji, w którym zmiennymi symbolami są:
YYYY- roku produkcji,
ww – tydzień kalendarzowy.

M, MA, MB, MBA Szlifierka kąтова.

Dane techniczne

Model	M2000 HD MB2000P HD	MA2000 HD MBA2000P HD	M2200 HD MB2200P HD	MA2200 HD MBA2200P HD	M2400 HD MB2400P HD	MA2400 HD MBA2400P HD	MB2600P HD	MBA2600P HD
Moc	2000 W	2000 W	2200 W	2200 W	2400 W	2400 W	2600 W	2600 W
Znamionowa prędkość obrotowa	8500 min ⁻¹	6600 min ⁻¹	8500 min ⁻¹	6600 min ⁻¹	8500 min ⁻¹	6600 min ⁻¹	8500 min ⁻¹	6600 min ⁻¹
Gwint wrzeciona	M14	M14	M14	M14	M14	M14	M14	M14
Długość gwintu wrzeciona	20 mm	20 mm	20 mm	20 mm	20 mm	20 mm	20 mm	20 mm
Otwór wewnętrzny tarczy	22.23	22.23	22.23	22.23	22.23	22.23	22.23	22.23
Maks. średnica tarczy	180 mm	230 mm	180 mm	230 mm	180 mm	230 mm	180 mm	230 mm
Maks. grubość tarczy	10 mm	10 mm	10 mm	10 mm	10 mm	10 mm	10 mm	10 mm
Waga (wg procedury EPTA 01/2014)	5.4 kg	5.6 kg	5.3 kg	5.5 kg	6.0 kg	6.2 kg	6.1 kg	6.3 kg
	5.4 kg	5.6 kg	5.3 kg	5.5 kg	6.0 kg	6.2 kg		
Klasa bezpieczeństwa (EN 60745-1)	II	II	II	II	II	II	II	II

INFORMACJE O POZIOMIE HAŁASU I DRGAŃ

Wartości zmierzone zgodnie z normą EN 60745.

Emisja hałasu

Określony wg skali

A poziom ciśnienia

akustycznego L_{PA} 91 dB(A) 91 dB(A) 92 dB(A) 92 dB(A) 92 dB(A) 92 dB(A) 92 dB(A) 92 dB(A)

Pewność

pomiaru K_{PA} 3.0 dB 3.0 dB 3.0 dB 3.0 dB 3.0 dB 3.0 dB 3.0 dB 3.0 dB

Określony wg skali

A poziom mocy

akustycznej L_{WA} 102 dB(A) 102 dB(A) 103 dB(A) 103 dB(A) 103 dB(A) 103 dB(A) 103 dB(A) 103 dB(A)

Pewność

pomiaru K_{WA} 3.0 dB 3.0 dB 3.0 dB 3.0 dB 3.0 dB 3.0 dB 3.0 dB 3.0 dB

Stosować ochronę słuchu!

Emisja drgań*

Wartości łączne drgań (suma wektorowa z trzech kierunków) określone zgodnie z normą EN 60745.

Szlifowanie powierzchni

Poziom emisji

drgań a_{LAG} 5.1 m/s² 5.1 m/s² 5.0 m/s² 5.0 m/s² 4.9 m/s² 4.9 m/s² 5.0 m/s² 5.0 m/s²

Pewność

pomiaru K_{LAG} 1.5 m/s² 1.5 m/s² 1.5 m/s² 1.5 m/s² 1.5 m/s² 1.5 m/s² 1.5 m/s² 1.5 m/s²

Szlifowanie papierem ściernym

Poziom emisji

drgań a_{LDS} 5.4 m/s² 5.4 m/s² 5.4 m/s² 5.4 m/s² 5.4 m/s² 5.4 m/s² 5.4 m/s² 5.4 m/s²

Pewność

pomiaru K_{LDS} 2.0 m/s² 2.0 m/s² 1.5 m/s² 1.5 m/s² 1.5 m/s² 1.5 m/s² 2.0 m/s² 2.0 m/s²

* Wartości emisji drgań określone zgodnie z punktem 6.2.7 normy EN 60745.

Podany w niniejszej instrukcji poziom drgań został zmierzony zgodnie z określoną przez normę EN 60745 procedurą i może być używany do porównywania urządzeń. Może być stosowany do wstępnego określenia ekspozycji.

Deklarowany poziom emisji drgań odnosi się do głównego zastosowania urządzenia. Jeżeli urządzenie zostanie przeznaczone do innych zastosowań, z innym osprzętem lub nie będzie należycie konserwowane, poziom emisji drgań może się różnić. Może to znacznie zwiększyć poziom ekspozycji w łącznym czasie pracy.

Aby dokładnie określić poziom ekspozycji na drgania, należy także brać pod uwagę okresy gdy urządzenie jest wyłączone, lub gdy nawet jest włączone, ale nie wykorzystywane do pracy. Może to znacznie obniżyć poziom ekspozycji na drgania w łącznym czasie pracy.

Chronić urządzenie oraz osprzęt oraz dbać o zapewnienie ciepła dłoniom podczas pracy w celu obniżenia szkodliwego wpływu drgań.

Inne zastosowania takie jak cięcie lub szczerkowanie mogą mieć inne wartości emisji drgań.

Pył z takich materiałów jak np. farba zawierająca ołów, niektóre gatunki drewna, minerały oraz metal może być szkodliwy. Kontakt lub inhalacja pyłów może spowodować reakcje alergiczne i/lub choroby układu oddechowego u operatora lub osób znajdujących się w bezpośredniej bliskości.

Pewne odmiany pyłów sklasyfikowane są jako rakotwórcze np. pył dębowy czy bukowy w szczególności w połączeniu z dodatkami zawierającymi chromaty i środki konserwujące. Materiały zawierające azbest mogą być obrabiane jedynie przez specjalistów.

- Tam gdzie możliwe jest stosowanie odciągu pyłów należy je stosować.
- Miejsce pracy musi być dobrze wentylowane.
- Zaleca się stosowanie maski p.pyłowej lub filtrów klasy P2.

Przestrzegać przepisów krajowych odnośnie obrabianych materiałów.

Wszystkie modele szlifierek kątowych Sparky zawierające literę "A" w symbolu, są przeznaczone do pracy z tarczą Ø230 mm. Brak litery "A" w symbolu oznacza, że urządzenie jest przeznaczone do pracy z tarczą Ø180 mm.

Wszystkie modele z literą "B" są wyposażone w elektroniczne urządzenie zapewniające płynny rozruch oraz ograniczenie prądu rozruchowego do 16 A.

Modele z literą "P" zapewniają bezpieczeństwo w przypadku spadku napięcia. W przypadku spadku napięcia lub odłączenia od źródła zasilania trwającego dłużej niż 0.5 s urządzenie pozostanie wyłączone i może zostać ponownie uruchomione po wyłączeniu i włączeniu włącznika. Brak litery "P" oznacza, że włącznik nie posiada blokady pracy ciągłej. (Niniejsza cecha bezpieczeństwa jest opisana w rozdziale „Obsługa“.)

Ogólna instrukcja bezpieczeństwa przy pracy elektronarzędziami



UWAGA! Należy zapoznać się z niniejszą ogólną instrukcją bezpieczeństwa oraz całą instrukcją obsługi. Nie przestrzeganie niniejszych instrukcji może spowodować porażenie prądem, pożar i/lub poważne obrażenia.

Zachować niniejsze instrukcje na przyszłość.

Określenie „elektronarzędzie” odnosi się zarówno do urządzeń zasilanych z sieci (przewodowych) jak i zasilanych bateriami (bezprowodowych).

1) Bezpieczeństwo w miejscu pracy

- a) Miejsce pracy musi być zawsze dobrze oświetlone i czyste. Niedoświetlenie oraz nieład mogą być przyczyną wypadków.
- b) Nie należy używać urządzenia w obecności palnych płynów, gazów i pyłów. Podczas pracy urządzenia powstają iskry,

które mogą zapalić pyły lub opary.

- c) Dzieci i osoby postronne nie powinny znajdować się w miejscu pracy elektronarzędziami. Brak skupienia może spowodować utratę kontroli nad urządzeniem.

2) Bezpieczeństwo elektryczne

- a) Wtyczka urządzenia musi pasować do gniazda zasilającego. Nie wolno modyfikować wtyczki w jakikolwiek sposób. Nie stosować żadnych adapterów w przypadku elektronarzędzi wymagających uziemienia. Nie modyfikowane wtyczki oraz gniazda zasilające redukują ryzyko porażenia prądem.
- b) Unikać kontaktu z uziemionymi przedmiotami takimi jak, rury, grzejniki, piece i lodówki. Ryzyko porażenia prądem wzrasta gdy ciało użytkownika zostanie uziemione.
- c) Nie narażać urządzenia na kontakt z deszczem lub wilgocią. Woda wnikać do urządzenia zwiększa ryzyko porażenia prądem.
- d) Traktować przewód zasilający zgodnie z przeznaczeniem. Nigdy nie stosować przewodu do przenoszenia, przeciągania lub odłączania urządzenia od zasilania. Chronić przewód przed źródłem

ciepła, olejami, przedmiotami o ostrych brzegach, ruchomymi częściami urządzeń. Uszkodzony lub splątany przewód zwiększa ryzyko porażenia prądem.

- e) Podczas pracy na zewnątrz należy zawsze stosować odpowiedni przewód przedłużający przystosowany do pracy na zewnątrz. Stosowanie przewodu przeznaczonego do pracy na zewnątrz zmniejsza ryzyko porażenia prądem.
- f) Jeżeli nie ma możliwości uniknięcia pracy elektronarzędziem w wilgotnym środowisku, należy stosować zasilanie wyposażone w wyłącznik różnicowoprądowy. Stosowanie wyłącznika różnicowoprądowego redukuje ryzyko porażenia prądem.

3) Bezpieczeństwo osobiste

- a) Zawsze należy pracować w należytym skupieniu i kierować się rozsądkiem. Nie używać urządzenia będąc zmęczonym lub pozostając pod wpływem narkotyków, alkoholu lub będąc w trakcie leczenia. Chwila nieuwagi podczas pracy urządzeniem może być przyczyną poważnych uszkodzeń ciała.
- b) Stosować wyposażenie ochronne. Zawsze używać ochrony oczu. Wyposażenie takie jak maska p.pyłowa, buty na podszewie antypoślizgowej, kask, ochronniki słuchu, stosowane w odpowiednich warunkach, redukuje zagrożenie uszkodzenia ciała.
- c) Unikać przypadkowego włączenia urządzenia. Upewnić się, że wyłącznik znajduje się w położeniu „wyłączony” przed podłączeniem urządzenia do źródła zasilania lub baterii. Przenoszenie urządzenia trzymając za wyłącznik lub podłączając je do zasilania z wyłącznikiem w pozycji: „włączone” może być przyczyną wypadków.
- d) Usunąć wszelkie klucze przed włączeniem urządzenia. Pozostawienie klucza w rotującej części urządzenia może spowodować obrażenia ciała.
- e) Nie przeceniać własnych możliwości. Zawsze dbać o odpowiednie oparcie dla nóg oraz balans. Zapewnić lepszą kontrolę w nieoczekiwanych sytuacjach.
- f) Stosować odpowiednie ubranie. Nie nosić luźnych ubrań ani biżuterii. Nie zbliżać włosów, ubrania ani rękawic roboczych do ruchomych części urządzenia. Luźne ubranie, biżuteria lub długie włosy mogą utknąć w ruchomych częściach urządzenia.

- g) Jeśli urządzenie jest wyposażone w adapter odprowadzania pyłów, należy sprawdzić czy jest odpowiednio podłączony i używany. Stosowanie systemu odprowadzania pyłów może obniżyć niebezpieczeństwa związane z pyleniem.

4) Używanie i konserwacja urządzenia

- a) Nie przeciążać urządzenia. Stosować odpowiednie urządzenie do każdej pracy. Należy używać dobrej jakości narzędzia, które wykonają pracę lepiej i bezpieczniej w trybie do jakiego zostało zaprojektowane
 - b) Nie używać urządzenia jeśli wyłącznik nie działa. Każde urządzenie z uszkodzonym wyłącznikiem jest niebezpieczne i musi zostać naprawione.
 - c) Zawsze należy odłączyć urządzenie od zasilania lub odłączyć baterie przed zmianą ustawień, wymianą akcesoriów lub odłożeniem po pracy. Takie działanie zmniejszy ryzyko przypadkowego włączenia urządzenia.
 - d) Nieużywane urządzenie należy chronić przed dziećmi oraz nie zezwalać niepowołanym osobom nie znającym tego urządzenia lub niniejszej instrukcji na pracę tym urządzeniem. Elektronarzędzia są niebezpieczne w rękach nie przeszkolonych osób.
 - e) Konserwować elektronarzędzia. Sprawdzić połączenia części ruchomych, ewentualne uszkodzenia oraz inne czynniki mogące mieć wpływ na działanie urządzenia. W przypadku stwierdzenia uszkodzenia należy naprawić urządzenie przed dalszym użytkowaniem. Wiele wypadków spowodowanych jest nienależytą konserwacją urządzenia.
 - f) Narzędzia tnące zawsze muszą być ostre. Odpowiednio konserwowane narzędzia tnące z ostrymi krawędziami rzadziej się zacinają w obrabianym materiale i są łatwiejsze w obsłudze.
 - g) Niniejsze urządzenie oraz osprzęt do niego muszą być używane zgodnie z niniejszą instrukcją obsługi oraz w zakresie przewidzianym dla danego typu urządzenia. Zawsze należy brać pod uwagę rodzaj pracy do wykonania oraz warunki panujące w miejscu pracy. Użycie elektronarzędzi do celów innych niż opisane w niniejszej instrukcji obsługi może spowodować niebezpieczne sytuacje.
- ### 5) Serwis
- a) Niniejsze urządzenie należy serwisować wyłącznie w wykwalifikowanych serwi-

sach z wykorzystaniem oryginalnych części zamiennych. Takie postępowanie zapewni należyte bezpieczeństwo elektronarzędzia.

Instrukcje bezpieczeństwa dla szlifierek kątowych

Wspólne instrukcje bezpieczeństwa dla szlifowania, szczotkowania cięcia:

- a) Niniejsze urządzenie jest przeznaczone do pracy związanej ze szlifowaniem, szczotkowaniem i cięciem. Należy zapoznać się ze wszystkimi uwagami, instrukcjami, rysunkami i specyfikacjami dołączonymi do niniejszego urządzenia. *Nie zastosowanie się do instrukcji przedstawionych poniżej może być przyczyną porażenia prądem, pożaru i/lub poważnych obrażeń.*
- b) Niniejsze elektronarzędzie nie może być wykorzystywane do polerowania. Zastosowanie elektronarzędzia do innej, niż przewidziana czynności roboczej, może stać się przyczyną zagrożeń i obrażeń.
- c) Nie stosować osprzętu, który nie został specjalnie zaprojektowany i zalecony przez producenta urządzenia. Sam fakt możliwości przyłączenia osprzętu do urządzenia nie zapewnia bezpiecznego użytkowania.
- d) Określona prędkość obrotowa osprzętu musi być conajmniej równa maksymalnej prędkości określonej na urządzeniu. Osprzęt obracający się szybciej od określonej na nim prędkości może pęknąć i rozpaść się.
- e) Zewnętrzna średnica oraz grubość osprzętu musi zawierać się w zakresie przeznaczonym dla danego urządzenia. *Niewłaściwie dobrany pod względem rozmiarów osprzęt nie może być należycie kontrolowany i chroniony.*
- f) Narzędzia robocze z wkładką gwintowaną muszą dokładnie pasować na gwint na wrzecionie. W przypadku narzędzi roboczych, mocowanych przy użyciu kołnierza średnica otworu narzędzia roboczego musi być dopasowana do średnicy kołnierza. *Narzędzia robocze,*

które nie mogą być dokładnie osadzone na elektronarzędziu, obracając się nierównomiernie, bardzo mocno wibrują i mogą spowodować utratę kontroli nad elektronarzędziem.

- g) Nie używać uszkodzonego osprzętu. Przed każdym użyciem sprawdzać osprzęt: tarcze ściernie pod względem pęknięć i wyszczerbień, podkładki pod względem pęknięć, uszkodzeń gwintu lub nadmiernego zużycia, szczotki druciane pod względem poluzowanych i pękniętych drutów. W przypadku upuszczenia urządzenia lub osprzętu, sprawdzić pod względem uszkodzeń lub zastosować nieuszkodzony osprzęt. Po sprawdzeniu i zamocowaniu osprzętu, ustawić się oraz ew. inne osoby poza zasięgiem płaszczyzny obracającego się osprzętu i włączyć urządzenie z maksymalną prędkością na minutę. *W przypadku uszkodzenia, osprzęt powinien się rozpaść podczas tej próby testowej.*
- h) Stosować wyposażenie ochronne. W zależności od wykonywanych czynności używać osłonę twarzy, okulary ochronne. W zależności od potrzeb stosować maskę p. pyłową, ochronniki słuchu, rękawice oraz fartuch roboczy zdolne zatrzymać małe cząstki powstające w czasie pracy. *Ochrona wzroku powinna mieć moc zatrzymać odpady powstające przy różnego rodzaju pracach. Maski p. pyłowa musi zapewnić filtrację cząstek powstających podczas pracy. Długa ekspozycja na intensywny hałas może spowodować uszkodzenie słuchu.*
- i) Osoby towarzyszące powinny znajdować się w bezpiecznej odległości od miejsca pracy. Każda osoba znajdująca się w miejscu pracy powinna stosować wyposażenie ochronne. *Fragmenty obrabianego materiału lub uszkodzonego osprzętu mogą spowodować obrażenia także poza bezpośrednim miejscem pracy.*
- j) Podczas prac, przy których elektronarzędzie mogłyby natrafić na ukryte przewody elektryczne lub na własny przewód, należy je trzymać tylko za izolowaną rękojęść. *Pod wpływem kontaktu osprzętu z przewodami będącymi pod napięciem, wszystkie części metalowe elektronarzędzia mogą również znaleźć się pod napięciem i spowodować porażenie prądem operatora.*
- k) Chronić przewód przed obracającym

się osprzętem. W wypadku utraty kontroli, przewód może zostać przecięty lub zaczepiony i wciągnięty wraz z ręką operatora do obracającego się osprzętu.

- l) **Nigdy nie odkładać urządzenia przed całkowitym zatrzymaniem się osprzętu.** Obracający się osprzęt może zahaczyć się o podłogę i spowodować utratę kontroli.
 - m) **Nie przenosić włączonego urządzenia.** Przypadkowy kontakt z obracającym się osprzętem może spowodować wkręcenie się w ubranie i uszkodzenie ciała.
 - n) **Regularnie oczyszczać otwory wentylacyjne urządzenia.** Zbytnie nagromadzenie pyłów wewnątrz obudowy może spowodować zagrożenie.
 - o) **Nie używać urządzenia w pobliżu materiałów łatwopalnych.** Iskry mogą spowodować zapłon.
 - p) **Nie stosować osprzętu wymagającego chłodzenia cieczą.** Stosowanie wody lub innych płynów chłodzących może spowodować porażenie prądem.
- **Urządzenie może być stosowane wyłącznie zgodnie z przeznaczeniem.** Każde zastosowanie inne niż opisane w niniejszej instrukcji będzie traktowane jako niezgodne z przeznaczeniem. Użytkownik, a nie producent będzie odpowiedzialny za wszelkie uszkodzenia lub obrażenia wynikłe z użycia niezgodnego z przeznaczeniem.
 - **Producent wyklucza wszelką odpowiedzialność w przypadku dokonania jakichkolwiek zmian w urządzeniu przez użytkownika oraz uszkodzeń wynikłych z tych zmian.**
 - **Podczas pracy w zapylnym środowisku, należy dbać o czystość otworów wentylacyjnych.** W przypadku konieczności oczyszczenia pyłu, należy w pierwszej kolejności odłączyć urządzenie od zasilania (do usuwania pyłu należy stosować przyrządy niemetaliczne) oraz dbać o nieuszkodzenie części wewnętrznych. Urządzenie ulegnie przegrzaniu w wyniku osłabienia chłodzenia spowodowanego zablokowaniem otworów wentylacyjnych.

Dalsze instrukcje bezpieczeństwa do wszystkich zastosowań.

Odbicie urządzenia w wyniku blokady osprzętu w obrabianym materiale i związane z tym zagrożenia.

Odbicie urządzenia występuje w wyniku zakleszczenia lub zablokowania obracającej się tarczy, podkładek, szczotek lub innych akcesoriów w obrabianym materiale. Zablokowanie powoduje gwałtowne zatrzymanie obracającego się osprzętu co sprawia, że urządzenie w sposób niekontrolowany gwałtownie obróci się w kierunku przeciwnym do obrotów osprzętu.

Na przykład, jeśli tarcza zahaczy się lub zablokuje w obrabianym materiale, krawędź zablokowanej tarczy zagłębiając się w materiale może spowodować, że tarcza "wyskoczy" lub odbije się. Tarcza może wyskoczyć w stronę do operatora lub od operatora w zależności od kierunku ruchu w momencie zablokowania. Tarcze ściernie mogą w takich warunkach także pęknąć.

Odbicie urządzenia jest wynikiem błędnego zastosowania i/lub niepoprawnej obsługi i można go uniknąć stosując zalecenia opisane poniżej.

- a) **Mocno trzymać urządzenie i zachować pozycję ciała pozwalającą kontrolować siły odbicia. Zawsze używać uchwytu dodatkowego co zapewni maksymalną kontrolę w przypadku odbicia lub reakcji bezwładnościowej podczas rozruchu.** Jeśli zostaną zastosowane odpowiednie środki zapobiegawcze operator jest w stanie kontrolować siły reakcji bezwładnościowej podczas rozruchu lub odbicia.
 - b) **Nigdy nie zbliżać dłoni do rotującego osprzętu.** Akcesoria mogą niespodziewanie odbić w stronę zbliżonej dłoni.
 - c) **Nie ustawać się w pozycji w kierunku której występuje prawdopodobieństwo odbicia urządzenia.** Odbicie spowoduje obrót urządzenia w kierunku przeciwnym do obrotu tarczy w miejscu zablokowania.
 - d) **Ze szczególną ostrożnością obrabiać narożniki, ostre krawędzie itp.** Unikać odbijania i blokowania osprzętu. Narożniki, ostre krawędzie ułatwiają zablokowanie osprzętu co może spowodować utratę kontroli lub odbicie urządzenia.
 - e) **Nie stosować tarcz z łańcuchem do cięcia drewna ani zębatych tarcz tnących.** Takie tarcze powodują częste zagrożenie odbiciem i utratą kontroli nad urządzeniem.
- **Mocować obrabiany detal w imadle lub w inny odpowiedni sposób.**

Specjalne wskazówki bezpieczeństwa przy szlifowaniu oraz cięciu:

- a) **Używać wyłącznie zalecanych do danego urządzenia typów tarcz oraz odpowiedniej osłony.** Tarcze inne niż przeznaczone do danego modelu nie są odpowiednio

chronione i są niebezpieczne.

- b) **Tarcze szlifierskie wygięte należy mocować w taki sposób, aby ich powierzchnia szlifująca nie wystawała poza krawędź pokrywy ochronnej.** *Niefachowo osadzona tarcza szlifierska, wystająca poza krawędź pokrywy ochronnej nie może być wystarczająco osłonięta.*
- c) **Oslona tarczy musi być mocno dokręcona i ustawiona tak aby jak najmniejsza część odsłoniętej tarczy była skierowana w stronę operatora.** *Oslona tarczy chroni operatora przed ewentualnymi odłamkami tarczy i przypadkowym kontaktem z obracającą się tarczą oraz iskrami, które mogą podpalić ubranie.*
- d) **Należy używać tarczy wyłącznie zgodnie z przeznaczeniem. Np. nie wolno szlifować płaszczyzną tarczy przeznaczoną do cięcia.** *Tarcze ścierne do cięcia przeznaczone są do cięcia obwodowego, siły przykładane z boku mogą spowodować rozpad tych tarcz podczas pracy.*
- e) **Zawsze używać nieuszkodzonych flansz o kształcie i średnicy odpowiadającej dobranej tarczy.** *Poprawnie dobrane flansze dokładnie zabezpieczają tarczę redukując możliwość jej uszkodzenia. Flansze tarcz do cięcia mogą się różnić od flansz tarcz do szlifowania.*
- f) **Nie stosować zużytych tarcz od większych urządzeń.** *Tarcza przeznaczona do większych urządzeń nie jest przystosowana do większych prędkości obrotowych mniejszych urządzeń i może się rozpaść.*
 - **Zawsze zwracać uwagę na kierunek obrotu tarczy.** *Reakcja bezwładnościowa jest skierowana przeciwnie do kierunku obrotów w miejscu zablokowania i może spowodować utratę kontroli nad urządzeniem.*
 - **Urządzenie należy zawsze prowadzić w taki sposób aby iskry oraz pył były kierowane od ciała operatora.** *Niniejsze urządzenia powodują powstawanie iskiei, które mogą przypalić ubrania lub oparzyć nieosłonięte części ciała.*
 - **Nie wolno szlifować ani ciąć świeżo malowanych struktur metalowych zanim farba całkowicie wyschnie.** *Występuje ryzyko zapalenia mokrej farby.*
 - **Nie wolno ciąć materiałów łatwopalnych (drewno, plastik, itp.) ani struktur panelowych z łatwopalnym wypełnieniem.** *Występuje ryzyko wzniesienia pożaru.*
 - **Nie wolno szlifować ani ciąć wyposażenia**

znajdującego się pod ciśnieniem.

Występuje ryzyko wybuchu.

- **Nie wolno, bez podjęcia specjalnych kroków zapobiegających zapłonowi lub wybuchowi, szlifować ani ciąć zbiorników, rurociągów, wyposażenia, itp. zawierających obecnie lub w przeszłości substancje łatwopalne.** *Występuje ryzyko pożaru lub eksplozji.*

Dodatkowe instrukcje bezpieczeństwa podczas cięcia tarczami ściernymi:

- a) **Nie blokować ani nie stosować zbyt silnego nacisku na tarczę tnącą. Nie wykonywać zbyt głębokich cięć.** *Zbyt duży nacisk na tarczę zwiększa obciążenie urządzenia oraz podatność na wygięcie lub zablokowanie tarczy w materiale. Zwiększa się także możliwość odbicia lub pęknięcia tarczy.*
- b) **Nie ustawiać się w jednej linii z płaszczyzną obracającej się tarczy.** *W wypadku gdy tarcza obraca się w kierunku od operatora, w przypadku zablokowania tarczy, urządzenie "odbije" się w stronę użytkownika.*
- c) **W przypadku zacięcia się tarczy lub potrzeby przerwania cięcia, należy wyłączyć urządzenie i trzymać nieruchomo do momentu całkowitego zatrzymania.** *Ze względu na niebezpieczeństwo odbicia, nie wolno wyjmować obracającej się tarczy z naciętego materiału. Podczas cięcia, sprawdzać i korygować położenie tarczy w celu wyeliminowania zablokowania jej w otworze.*
- d) **Nie wznawiać cięcia z tarczą w wyciętej szczelinie.** *Uruchomić urządzenie i na pełnych obrotach wprowadzić ponownie do nacięcia. Tarcza może się zablokować, wysunąć lub odbić jeśli uruchomi się urządzenie w obrabianym materiale.*
- e) **Ustawiać panele oraz wszystkie duże materiały na podporach, tak aby zminimalizować ryzyko odbicia lub zablokowania tarczy.** *Duże elementy uginają się pod własną wagą. Podpory należy umieścić pod obrabianym materiałem w pobliżu linii cięcia oraz po obu stronach tarczy przy krawędziach materiału.*
- f) **Zachować szczególną ostrożność przy nacięciach w ścianach lub innych nieprzezroczystych miejscach.** *Tarcza może napotkać i przeciąć przewody gazowe lub wodne, elektryczne lub inne mogące spowodować odbicie.*

Dodatkowe instrukcje bezpieczeństwa podczas szlifowania papierami ściernymi:

- a) **Nie stosować tarcz papieru ściernego o zbyt dużej średnicy. Przestrzegać zaleceń producenta odnośnie doboru papieru ściernego. Zbyt duży papier wystający poza podkładkę szlifującą grozi skaleczeniem i może spowodować zahaczenie, rozdarcie lub odbicie urządzenia.**

Instrukcje bezpieczeństwa podczas pracy szczotką drucianą:

- a) **Należy być świadomym, że nawet podczas normalnej pracy, pojedyncze druty mogą odpadać od szczotki. Nie przeciążać szczotek poprzez zbyt mocny nacisk. Elementy szczotki z łatwością mogą przebić lekkie ubranie i/lub skórę.**
- b) **W przypadku zalecenia pracy z osłoną, należy dbać o to aby nie doszło do jej kontaktu ze szczotką. Tarcza lub szczotka z drutu może zwiększać swoją średnicę ze względu na obciążenia oraz siłę odśrodkową.**

Podstawowe elementy

Przed użyciem urządzenia należy zapoznać się z wszystkimi jego funkcjami i wymogami bezpieczeństwa.

Urządzenie oraz osprzęt można wykorzystywać wyłącznie zgodnie z przeznaczeniem. Wszelkie inne zastosowania są zabronione.

1. Wrzeciono
- 2.1. Tarcza ścierna (Używać wyłącznie z osłoną tar czy!)*
- 2.2. Tarcza tnąca (Używać wyłącznie z osłoną tar czy!)*
- 3.1. Osłona tarczy ścierniej
- 3.2. Osłona tarczy tnącej*
4. Flansza podkładki
5. Flansza mocująca
6. Uchwyt dodatkowy
7. Włącznik/Wyłącznik
8. Blokada pracy ciągłej
9. Blokada wrzeciona

OSPRZĘT WSPÓŁPRACUJĄCY Z NINIEJSZYM URZĄDZENIEM

10. Szczotka druciana*
11. Plastikowa (gumowa) podkładka*

12. Papier ścierny*
13. Nakrętka*

* Pokazane na ilustracjach lub opisane w tekście akcesoria nie są zawarte w dostawie.

Obsługa

Niniejsze elektronarzędzia są zasilane wyłącznie jednofazowym prądem zmiennym. Są podwójnie izolowane zgodnie z normami EN 60745, IEC 60745-1 i mogą być zasilane z uziemionych bądź nieziemionych źródeł. Tłumienie zakłóceń radiowych zgodnie z dyrektywą EMC.

Urządzenie jest przeznaczone do cięcia, żdzierania i szczotkowania głównie metali bez zastoso-

PRZED PIERWSYM URUCHOMIENIEM

- Urządzenie może być wyposażone fabrycznie w osłonę. Upewnić się, że osłona została zamontowana prawidłowo i dokładnie ustawiona przed pierwszym i każdym kolejnym uruchomieniem.
- Urządzenie może być wyposażona fabrycznie w tarczę. Upewnić się, że tarcza została zamontowana prawidłowo i dokładnie dokręcona przed pierwszym i każdym kolejnym uruchomieniem.
- Upewnić się czy źródło zasilania odpowiada wartościom podanym na tabliczce znamionowej z danymi technicznymi urządzenia.
- Zawsze sprawdzać pozycję włącznika/wyłącznika. Urządzenie wolno podłączyć do źródła zasilania dopiero wtedy gdy włącznik/wyłącznik znajduje się w pozycji "Wyłączone". Jeśli urządzenie zostanie podłączone do gniazda gdy włącznik/wyłącznik znajduje się w pozycji "Włączone" to natychmiast rozpocząć pracę, co może spowodować poważny wypadek.
- Sprawdzać czy przewód i wtyczka nie są uszkodzone. Jeśli konieczna jest wymiana przewodu, aby uniknąć niebezpieczeństwa należy tego dokonać w autoryzowanym serwisie producenta.



UWAGA! Przed każdą regulacją oraz wykonaniem jakichkolwiek prac serwisowych i konserwacyjnych, należy urządzenie wyłączyć i odłączyć od zasilania.

- Używając diamentowych tarcz tnących, należy zwrócić uwagę, by strzałka wskazująca kierunek, umieszczona na tarczy odpowiadała kierunkowi obrotów elektronarzędzia (por.

strzałkę wskazującą kierunek obrotu, umieszczoną na głowicy elektronarzędzia).

- Sprawdzić czy średnica oraz grubość tarczy nie przekracza wartości podanych na tabliczce znamionowej. Prędkość obwodowa wskazana na tarczy nie może być niższa niż 80 m/s. Tarcze należy przechowywać zgodnie z zaleceniami producenta.
- W przypadku pracy w miejscu odległym od źródła zasilania, należy stosować możliwie najkrótszy przewód przedłużający o odpowiednim przekroju.
- Sprawdzić czy uchwyt dodatkowy jest poprawnie zamontowany i odpowiednio dokręcony.

WŁĄCZANIE-WYŁĄCZANIE

Szlifierka kątowna jest zabezpieczona przed przypadkowym włączeniem.

- **Włączanie:** Najpierw przesunąć suwak blokady 8 umieszczony w dolnej części głównego uchwytu, następnie nacisnąć włącznik 7. W razie potrzeby pracy ciągłej, można przycisk 7 zablokować (tylko w przypadku modeli z symbolem "P"). W takim wypadku, należy trzymając włącznik 7, wcisnąć blokadę 8 a następnie zwolnić włącznik 7.
- **Wyłączanie:** Zwolnić włącznik 7; w przypadku gdy włącznik jest zablokowany do pracy ciągłej, najpierw nacisnąć a następnie zwolnić włącznik.

W przypadku zaniku napięcia (lub czasowym spadku napięcia na czas $t > 0.5$ s), gdy włącznik/wyłącznik znajduje się w pozycji "włączony", urządzenie nie powinno działać po powrocie zasilania. Aby ponownie uruchomić urządzenie, najpierw wyłączyć a na następnie włączyć włącznik/wyłącznik 7.

OSOŁONA TARCZY



UWAGA! Osłona tarczy ścierniej 3.1 lub osłona tarczy tnącej 3.2 (odpowiednio dla tarczy ścierniej lub tnącej) musi być zawsze zamontowana na urządzeniu!



UWAGA! Przed przystąpieniem do następujących czynności, należy wyłączyć urządzenie i odłączyć je od zasilania.

Montaż osłony (Rys.1)

- Obrócić czarny pierścień plastikowy (rys.

2a), tak by szczelina S pierścienia pokryła się z wycięciem, do którego wpada ząb dźwigni zamykającej L.

- Ustawić osłonę tarczy w pozycji nieroboczej (rys.2a) tak, aby cztery wypustki zgrały się z czterema rowkami w gnieździe łożyska (rys.2b).

- Nacisnąć dźwignię mocującą L (rys.3) w celu jej zwolnienia.

- Naciskając, obrócić osłonę tarczy w celu ustawienia w wymaganym położeniu roboczym (rys.4)

- Zwolnić dźwignię mocującą L aby zablokować ustawienie, w której osłona tarczy jest zamocowana (wypust dźwigni mocującej wchodzi w jedną ze szczelin osłony tarczy.)

Obracanie osłony tarczy do nowej pozycji roboczej.

- Nacisnąć dźwignię mocującą L (rys.3) w celu jej zwolnienia.

- Obrócić osłonę tarczy w celu ustawienia w wymaganym położeniu roboczym.

- Zwolnić dźwignię mocującą L aby zablokować ustawienie, w której osłona tarczy jest zamocowana (wypust dźwigni mocującej wchodzi w jedną ze szczelin osłony tarczy.)

Zdejmowanie osłony tarczy.

- Nacisnąć dźwignię mocującą L (rys.3) w celu jej zwolnienia.

- Obrócić osłonę tarczy do pozycji nieroboczej (rys.2a) tak, aby cztery wypustki zgrały się z czterema rowkami w gnieździe łożyska (rys.2b).

- Zdjąć osłonę tarczy.

WYMIANA TARCZY ŚCIERNIEJ



UWAGA! Przed przystąpieniem do następujących czynności, należy wyłączyć urządzenie i odłączyć je od zasilania.

Zablokować wrzeciono 1 poprzez nacisk na przycisk blokady wrzeciona 9 znajdujący się na obudowie przekładni.



UWAGA! Nigdy nie naciskać przycisku 9 przy obracającym się wrzecionie!

- Z dociśniętym przyciskiem, obracać tarczę w przeciwnym do zaznaczenia na osłonie 3 kierunku aż do wyraźnego zapadnięcia się przycisku. Za pomocą specjalnego klucza odkręcić flanszę mocującą 5. Umieścić nową

tarczę na flanszy podkładki 4 napisami do góry i dokręcić flanszę mocującą 5 kluczem do nakrętek. Jeśli z tarczami zostały dostarczone podkładki – należy je zastosować. W przypadku gdy grubość tarczy jest poniżej 6 mm, należy podkładkę mocującą umieścić stroną płaska do tarczy. Jeśli tarcza jest grubsza niż 6mm, należy umieścić flanszę mocującą 5 tak aby wypust wszedł w zagłębienie tarczy. Po wymianie tarczy, włączyć na jedną minutę szlifierkę bez obciążenia. Wibrujące lub niepoprawnie rotujące tarcze muszą zostać natychmiast wymienione i wyrzucone.

- Druciana szczotka garnkowa 10 jest przykręcana bezpośrednio na wrzeciono 1 za pomocą klucza płaskiego. Sprawdzić czy długość gwintu szczotki odpowiada długości gwintu wrzeciona.
- Szlifowanie za pomocą papieru ściernego jest wykonywane za pomocą plastikowej (gumowej) podkładki 11, do której mocuje się papier ścierny 12. Umieścić plastikową podkładkę 11 na flanszy podkładki 4 i dokręcić za pomocą nakrętki 13, która znajduje się w dostawie. W przypadku gdy podkładka do szlifowania dostarczona jest z wmontowaną flanszą nakrętki, przykręca się ją bezpośrednio do wrzeciona za pomocą klucza płaskiego bez stosowania flanszy mocującej 5. Podkładka z flanszą może występować w wersji z gąbką nasączoną żywicą, gąbką poliuretanową z plastikową wkładką na flanszę, z mocowaniem papieru ściernego "na rzep". Po wymianie tarczy, włączyć na jedną minutę szlifierkę z nową tarczą bez obciążenia. Wibrujące lub niepoprawnie rotujące podkładki szlifierskie muszą zostać natychmiast wymienione i wyrzucone.

UCHWYT DODATKOWY (Ris.5)

Uchwyt dodatkowy 6 montuje się przeważnie z lewej strony urządzenia. Można go także umieścić po prawej stronie lub u góry, w zależności od potrzeb operatora. Urządzenia są wyposażone w trzy uzwojone otwory do mocowania uchwyty dodatkowego. Uchwyt dodatkowy jest przymocowany do urządzenia z zastosowaniem amortyzatora chroniącego użytkownika i redukującego zmęczenie podczas pracy.

PRZESTAWIENIE OBUDOWY

Obudowa urządzenia może być przestawiona o 90°. Takie rozwiązanie można stosować w przypadku wykorzystania szlifierki głównie do cięcia.

W takim wypadku przestawienie obudowy musi zostać przeprowadzone w autoryzowanym serwisie SPARKY.

ZALECENIA

Podczas cięcia, nie stosować docisku, nie oscylować tarczą. Pracować ze średnim tempem cięcia, dostosowanym do obrabianego materiału. Bardzo ważny jest kierunek cięcia. Urządzenie musi być prowadzone zawsze w kierunku przeciwnym do kierunku obrotów tarczy. W przeciwnym razie, tarcza może wysunąć się bez kontroli z obrabianego materiału. (Rys. 6)

Podczas cięcia profili lub rur prostokątnych, zawsze rozpoczynać cięcie od węższej strony.

Podczas szlifowania nie stosować nacisku na obrabianą powierzchnię ale regularnie przesuwac w przód i w tył. Do obróbki stopów nieżelazowych należy stosować specjalne tarcze. Najlepsze rezultaty osiąga się szlifując z tarcza pochylona od 30° do 40° w stosunku do obrabianej powierzchni (Rys. 7).

Nigdy nie używać tarcz do cięcia w celu szlifowania. Nie zaleca się stosowania tarcz grubszych niż 10 mm.

Konserwacja



UWAGA! Przed przystąpieniem do każdej kontroli lub konserwacji, należy urządzenie wyłączyć i odłączyć od zasilania.

WYMIANA SZCZOTEK

Niniejsze urządzenie jest wyposażone w szczotki samo-odłączalne. W przypadku zużycia szczotek węglowych, urządzenie wyłącza się. W takim przypadku obie szczotki muszą zostać wymienione jednocześnie na oryginalne w autoryzowanym serwisie SPARKY.

OGÓLNA KONTROLA

Regularnie sprawdzać czy wszystkie śruby mocujące są odpowiednio zamocowane. W przypadku poluzowania którejkolwiek ze śrub należy natychmiast je dokręcić aby uniknąć zagrożenia.

Jeśli konieczna jest wymiana przewodu, można to wykonać wyłącznie w autoryzowanym serwisie producenta aby uniknąć zagrożeń.

CZYSZCZENIE

Zawsze utrzymywać urządzenie i otwory wentylacyjne w czystości.

Regularnie sprawdzać otwory wentylacyjne i miejsca wokół włącznika. Za pomocą miękkiej szczotki lub sprężonego powietrza usuwać zebrany pył. Podczas czyszczenia stosować ochronę oczu.

W razie konieczności, zewnętrzne części plastikowe mogą być czyszczone wilgotną szmatką z łagodnym detergentem.



UWAGA! Nigdy nie stosować alkoholu, benzyny ani innych środków czyszczących. Nigdy nie używać substancji żrących do czyszczenia części plastikowych.



UWAGA! Nie dopuszczać do kontaktu urządzenia z wodą.

WAŻNE! Aby zapewnić bezpieczeństwo i niezawodność urządzenia, naprawy, konserwacje i regulacje (łącznie z kontrolą i wymianą szczotek) powinny być przeprowadzane w autoryzowanych serwisach z zastosowaniem oryginalnych części zamiennych.

Gwarancja

Okres gwarancji elektronarzędzi SPARKY jest określony w karcie gwarancyjnej produktu.

Usterki spowodowane normalnym zużyciem, przeciążeniem lub niewłaściwą obsługą, nie podlegają gwarancji.

Uszkodzenia wynikłe z wady materiałowej lub błędów produkcyjnych zostaną usunięte bezpłatnie w drodze naprawy lub wymiany urządzenia.

Reklamacje uszkodzonych urządzeń SPARKY zostaną rozpatrzone jeśli zostaną dostarczone w stanie w jakim stwierdzono wadę, nie rozmontowane, wraz z dokumentem zakupu i kartą gwarancyjną do autoryzowanego serwisu lub punktu sprzedaży.

Informacja

Przed użyciem należy dokładnie przeczytać niniejszą instrukcję.

Narzędzia SPARKY są stale ulepszane w związku z tym otrzymany produkt może nieznacznie różnić się od tego ukazanego w niniejszej instrukcji. Producent zapewnia sobie prawo do wprowadzania zmian bez uprzedzenia.

Specyfikacja może się różnić w zależności od kraju.

Содержание

Введение	87
Технические данные	89
Общие указания по технике безопасности при работе с электроинструментами	90
Дополнительные указания по работе с углошлифовальными машинами	92
Знакомство с электроинструментом	A/96
Указания по работе	B/96
Поддержка	99
Гарантия	100

РАСПАКОВКА

В соответствие с общепринятыми технологиями крупносерийного производства, почти не существует риска поломки Вашего электроинструмента, или отсутствия какой-либо из его частей. Если вы все же установите повреждение, не используйте электроинструмент до тех пор, пока дефектная часть не будет заменена, а неисправность - устранена. Нарушение этой рекомендации может привести к серьезному трудовому инциденту.

СБОРКА

Углошлифовальная машина поставляется в упаковке, в полностью собранном виде, за исключением предохранителя и дополнительной рукоятки.

Введение

Новоприобретенный Вами электроинструмент SPARKY превзойдет Ваши ожидания. Его производство подчиняется высоким стандартам качества SPARKY, отвечающим строгим требованиям потребителя. Удобный для обслуживания и безопасный в эксплуатации, этот электроинструмент при правильном употреблении будет служить безотказно долгие годы.

ПРЕДОСТЕРЕЖЕНИЕ!



Прочтите внимательно и целиком инструкцию по эксплуатации перед использованием новоприобретенного электроинструмента SPARKY. Обратите специальное внимание на параграфы, обозначенным словом "Предостережение". У Вашего электроинструмента SPARKY много качеств, которые облегчают работу. При разработке этого инструмента основное внимание было направлено на безопасность, эксплуатационные качества и надежность, которые облегчают его обслуживание и эксплуатацию.



Не выбрасывать электроинструменты вместе с бытовыми отбросами!

Отбросы электрических изделий нельзя собирать вместе с бытовыми отбросами. Они должны быть рециклированы на местах, предназначенных специально для этих целей. Просим обратиться к местным властям или к нашему представителю для получения информации насчет рециклирования.

ЗАЩИТА ОКРУЖАЮЩЕЙ СРЕДЫ



Для предохранения окружающей среды электроинструменты, принадлежности и упаковки должны быть переработаны подходящим образом для повторно использования содержащихся в них материалов. Для облегчения процесса рециклирования детали, сделанные из искусственных материалов, обозначены соответствующим способом.

ОПИСАНИЕ СИМВОЛОВ

На табличке с данными электроинструмента нанесены специальные символы, содержащие важную информацию о продукте или инструкции по использованию.



Двойная изоляция для дополнительной защиты.



Присоединительная резьба шпинделя: M14



Соответствует релевантным европейским директивам.



Соответствует требованиям правил Таможенного союза.



Ознакомьтесь с инструкцией по эксплуатации.




Всегда надевайте защитные очки.

YYYY-Www Период производства, где переменные символы означают:
YYYY - год производства,
ww – очередная календарная неделя.

M, MA, MB, MBA Углошлифовальная машина.

Технические данные

Модель	M2000 HD MB2000P HD	MA2000 HD MBA2000P HD	M2200 HD MB2200P HD	MA2200 HD MBA2200P HD	M2400 HD MB2400P HD	MA2400 HD MBA2400P HD	MB2600P HD	MBA2600P HD
Потребляемая мощность	2000 W	2000 W	2200 W	2200 W	2400 W	2400 W	2600 W	2600 W
Номинальное число оборотов	8500 min ⁻¹	6600 min ⁻¹	8500 min ⁻¹	6600 min ⁻¹	8500 min ⁻¹	6600 min ⁻¹	8500 min ⁻¹	6600 min ⁻¹
Соединительная резьба шпинделя	M14	M14	M14	M14	M14	M14	M14	M14
Длина резьбы шпинделя	20 mm	20 mm	20 mm	20 mm	20 mm	20 mm	20 mm	20 mm
Внутренний диаметр шлифовального диска	22.23	22.23	22.23	22.23	22.23	22.23	22.23	22.23
Максимальный диаметр шлифовального диска	180 mm	230 mm	180 mm	230 mm	180 mm	230 mm	180 mm	230 mm
Максимальная толщина шлифовального диска	10 mm	10 mm	10 mm	10 mm	10 mm	10 mm	10 mm	10 mm
Вес (EPTA процедура 01/2014)	5.4 kg	5.6 kg	5.3 kg	5.5 kg	6.0 kg	6.2 kg	6.1 kg	6.3 kg
Класс защиты (EN 60745-1)	 II	II	II	II	II	II	II	II
ИНФОРМАЦИЯ О ШУМЕ И ВИБРАЦИЯХ								
Показатели замерены согласно EN 60745.								
Уровень выделяемого шума								
А-взвешенный уровень звуковой нагрузки L _{р,А}								
	91 dB(A)	91 dB(A)	92 dB(A)	92 dB(A)	92 dB(A)	92 dB(A)	92 dB(A)	92 dB(A)
Неопределенность K _А								
	3.0 dB	3.0 dB	3.0 dB	3.0 dB	3.0 dB	3.0 dB	3.0 dB	3.0 dB
А-взвешенный уровень звуковой мощности L _{р,WA}								
	102 dB(A)	102 dB(A)	103 dB(A)	103 dB(A)	103 dB(A)	103 dB(A)	103 dB(A)	103 dB(A)
Неопределенность K _{WA}								
	3.0 dB	3.0 dB	3.0 dB	3.0 dB	3.0 dB	3.0 dB	3.0 dB	3.0 dB
Пользуйтесь средствами защиты от шума!								
Уровень вибраций *								
Общий уровень вибраций (сумма векторов по трем осям), определенная согласно EN 60745:								
Шлифование поверхностей:								
Показатель								
вибраций a _{h,AG}	5.1 m/s ²	5.1 m/s ²	5.0 m/s ²	5.0 m/s ²	4.9 m/s ²	4.9 m/s ²	5.0 m/s ²	5.0 m/s ²
Неопределенность K _{AG}								
	1.5 m/s ²	1.5 m/s ²	1.5 m/s ²	1.5 m/s ²	1.5 m/s ²	1.5 m/s ²	1.5 m/s ²	1.5 m/s ²
Шлифование наждачной бумагой:								
Показатель								
вибраций a _{h,DS}	5.4 m/s ²	5.4 m/s ²	5.4 m/s ²	5.4 m/s ²	5.4 m/s ²	5.4 m/s ²	5.4 m/s ²	5.4 m/s ²
Неопределенность K _{DS}								
	2.0 m/s ²	2.0 m/s ²	1.5 m/s ²	1.5 m/s ²	1.5 m/s ²	1.5 m/s ²	2.0 m/s ²	2.0 m/s ²
* Уровень вибраций определен согласно п. 6.2.7 EN 60745.								

Указанный в настоящую инструкцию уровень вибраций измерен в соответствии с установленную EN 60745 методику испытаний и может использоваться для сравнения электроинструментов. Уровень вибраций может использоваться для предварительной оценки воздействия. Указанный уровень вибраций дан при условии использования инструмента по его прямому назначению. В тех случаях, когда электроинструмент используется для других целей, с другими принадлежностями, уровень вибраций может отличаться от указанного. В этих случаях уровень воздействия может значительно возрасти в рамках общего периода работы. Для точной оценки воздействия вибраций во время определенного периода работы необходимо учитывать промежутки времени, в которые электроинструмент выключен, либо хотя и включен, но фактически не используется. Это может существенно сократить воздействия вибраций в течение всего периода работы.

Сохраняйте электроинструмент и его принадлежности в хорошем состоянии. Во время работы старайтесь сохранять руки теплыми - это поможет уменьшить вредное воздействие при работе с повышенной вибрацией.

При других операциях, например распилу абразивным диском или зачистке проволочными щетками, уровень вибраций может отличаться от представленных замеров.

Пыль материалов, как с краски с содержанием свинца, некоторых сортов древесины, минералов и металла может быть вредной для здоровья. Прикосновение к пыли и попадание пыли в дыхательные пути может вызвать аллергические реакции и/или заболевания дыхательных путей оператора или находящегося вблизи персонала.

Определенные виды пыли, как из дуба и бука, считаются канцерогенными, особенно, совместно с присадками для обработки древесины (хромат, средство для защиты древесины). Материал с содержанием асбеста разрешается обрабатывать только специалистам.

- По возможности применяйте отсос пыли.
- Следите за хорошей вентиляцией.
- Рекомендуется пользоваться дыхательной защитной маской с фильтром класса P2.

Соблюдайте действующие в Вашей стране предписания для обрабатываемых материалов.

Все модели, обозначенные символом А при обозначении типа показывают максимальный диаметр рабочего инструмента Ø230mm. При отсутствии этого символа, максимальный диаметр рабочего инструмента составляет Ø180mm.

Все модели с индексом В снабжены встроенным электронным устройством, обеспечивающим плавное увеличение скорости до номинальных оборотов и ограничение тока при пуске до 16 А.

Все модели с индексом Р в типовом обозначении имеют защиту от произвольного пуска при внезапном отключении напряжения, или при выключении штепселя более чем на 0,5 сек. Электроинструмент остается в выключенном положении, и приводится в действие только после выключения и повторного пуска. При отсутствии этого индекса, выключатель не имеет функции блокировки в режиме работы. (Функционирование функции защиты описано в разделе “Указания по работе”).

Общие указания по безопасности при работе с электроинструментами



ПРЕДОСТЕРЕЖЕНИЕ! Прочитайте все предупреждения и указания по безопасности. Несоблюдение предупреждений и указаний по безопасности может привести к поражению электрическим током, от пожара и/или серьезные ранения.

Сохраните все предупреждения и указания для дальнейшего использования.

Термин “электроинструмент” во всех указанных ниже предупреждениях касается вашего электроинструмента, с питанием от сети (с кабелем) и/или электроинструмент с питанием от аккумуляторной батареи (без кабеля).

1) Безопасность рабочего места

- а) Содержите рабочее место в чистоте и хорошо освещенным. Беспорядок и недостаточное освещение являются предпосылками трудовых инцидентов.
- б) Не работайте с электроинструментами во взрывоопасной атмосфере при наличии воспламеняющихся жидкостей, газов или пыли. Электроинструменты создают искры, которые могут воспламенить пыль или пары.
- в) Держите детей и посторонних лиц на расстоянии, когда работаете с электроинструментом. Рассеивание может привести к потере контроля с Вашей стороны.

2) Электрическая безопасность

- а) Штепселя электроинструментов должны соответствовать контактным гнездам. Никогда не меняйте штепсель каким-либо способом. Не используйте какие-либо адаптерные штепселя для электроинструментов с защитным заземлением. Использование оригинальных штепселей и соответствующим им контактов уменьшает риск от удара электрическим током.

- b) Избегайте соприкосновения тела с землей или с заземленными поверхностями, такими как трубы, радиаторы, кухонные плиты и холодильники. *Если ваше тело заземлено, существует повышенный риск поражения электрическим током.*
- c) Не оставляйте электроинструменты под дождем или во влажной среде. *Проникновение воды в электроинструменты повышает риск от поражения электрическим током.*
- d) Используйте кабель по назначению. Никогда не используйте кабель для переноса электроинструмента, натягивания или отключения штепселя из контактного гнезда. Держите кабель далеко от тепла, масла, острых углов или движущихся частей. *Поврежденные или запутанные кабели повышают риск от поражений электрическим током.*
- e) Во время наружной работы с электроинструментом используйте удлинитель, подходящий для этих целей. *Использование удлинителя, предназначенного для внешних /наружных/ работ, уменьшает опасность от поражения электрическим током.*
- f) В случае, если работа с электроинструментом во влажной среде неизбежна, используйте предохранительное устройство, которое задействовано от остаточного тока для прерывания подачи тока. *Использование предохранительного устройства уменьшает риск от поражения электрическим током.*
- 3) Личная безопасность**
- a) Будьте бдительны, работайте с повышенным вниманием и проявляйте благоразумие, когда работаете с электроинструментом. Не используйте электроинструмент, когда вы устали или находитесь под влиянием наркотиков, алкоголя или медикаментов. *Момент невнимания при работе с электроинструментом может привести к серьезной производственной травме.*
- b) Используйте индивидуальные средства защиты. Носите всегда защитные очки. *Индивидуальные средства защиты, такие как маска против пыли, нескользкая обувь, защитный шлем или средства для защиты слуха, используемые в конкретных условиях, снижают риск от производственных травм.*
- c) Избегайте невольного пуска инструмента. Убедитесь, что выключатель находится в положение „выключено” перед включением к источнику питания и/или аккумуляторной батарее перед тем, как его возьмете в руки или переносите. *Ношение электроинструмента с пальцем на выключателе или подключение к источнику питания электроинструмента с выключателем во включенном положении является предопылкой для производственной травмы.*
- d) Удалите каждый ключ для затягивания или гаечный ключ перед включением электроинструмента. *Ключ для затягивания или гаечный ключ, прикрепленный к вращающейся части электроинструмента, может привести к трудовому инциденту.*
- e) Не перетягивайтесь. Поддерживайте правильное положение и равновесие в течение всей работы. *Это позволит лучше управлять электроинструментом при неожиданных ситуациях.*
- f) Носите подходящую рабочую одежду. Носите широкую одежду или украшения. Держите свои волосы, одежду и перчатки далеко от движущихся частей. *Широкая одежда, бижутерия или длинные волосы могут попасть в движущиеся части.*
- g) Если электроинструмент снабжен приспособлением для пыли, убедитесь, что они правильно установлены и правильно используются. *Использование этих устройств может понизить связанные с пылью опасности.*
- 4) Эксплуатация и уход за электроинструментами**
- a) Не перегружайте электроинструмент. Используйте правильно выбранный электроинструмент согласно его назначению. *Правильно подобранный электроинструмент работает лучше и безопасней для объявленного режима работы, для которого он спроектирован.*
- b) Не используйте электроинструмент в случае, если выключатель не переключается во включенное и исключенное положение. *Каждый электроинструмент, который не может управляться с помощью его выключателя, опасен и подлежит ремонту.*

- c) Отключите штепсель от электросети перед тем, как начать любые настройки, перед заменой принадлежности или перед тем, как убрать электроинструмент для хранения. *Эти меры предосторожности снижают риск невольного пуска электроинструмента.*
- d) Сохраняйте неиспользованные электроинструменты в местах, недоступных для детей и не позволяйте обслуживающему персоналу, который не знаком с электроинструментом или инструкциями по эксплуатации, работать с ним. *Электроинструменты являются опасными в руках необученных потребителей.*
- e) Проверяйте электроинструменты. Проверяйте, работают ли нормально и движутся ли свободно движущиеся части, находятся ли в целостности и исправности части, а также проверьте все прочие обстоятельства, которые могут неблагоприятно повлиять на работу электроинструмента. Если он поврежден, электроинструмент необходимо отремонтировать перед его дальнейшим использованием. *Много инцидентов причиняются от плохо обслуженных электроинструментов.*
- f) Поддерживайте режущие инструменты острыми и чистыми. *Правильно поддерживаемые режущие инструменты с острыми режущими углами режут блокируются и проще управляются.*
- g) Используйте электроинструмент, принадлежность и части инструмента и т.д. в соответствии с этими инструкциями и способом, предусмотренным для конкретного типа электроинструмента, имея в виду рабочие условия и работу, которую необходимо выполнять. *Использование электроинструмента для работы не по предназначению может привести к опасной ситуации.*
- 5) Обслуживание
- a) Ремонтируйте ваш электроинструмент у квалифицированного специалиста по ремонту, при этом используйте только оригинальные запасные части. *Это обеспечивает сохранение безопасности электроинструмента.*

Дополнительные указания по работе с углошлифовальными машинами

Общие указания безопасности по шлифованию абразивным диском, шлифованию наждачной бумагой, чистке с проволочными щетками и резке абразивным диском:

- a) Настоящий электроинструмент может использоваться в качестве шлифовальной машины с абразивным диском, с наждачной бумагой, с проволочными щетками и машины для нарезки с абразивным диском. Прочитайте внимательно все указания по безопасности, инструкции, иллюстрации и данные, которые Вы получили с электроинструментом. *Несоблюдение указаний по безопасности может привести к поражению электрическим током, возникновению пожара и/или получению серьезных травм.*
- b) Настоящий электроинструмент не пригоден для полирования. *Выполнение работ, для которых настоящий электроинструмент не предусмотрен, может стать причиной опасностей и травм.*
- c) Не пользуйтесь принадлежностями, которые не разрешены и не рекомендуются производителем специально для данного электроинструмента. *Возможность крепления принадлежности к Вашему электроинструменту, не гарантирует безопасного применения.*
- d) Допустимое число оборотов принадлежности должно быть не менее указанного на электроинструменте максимального числа оборотов. *Принадлежности, которые вращаются со скоростью, превышающей их номинальную скорость, могут разбиться и разлететься в пространстве.*
- e) Наружный диаметр и толщина рабочего инструмента должны быть не менее указанных размеров Вашего электроинструмента. *Принадлежности с неподходящими размерами не могут быть защищены или контролироваться в достаточной степени.*
- f) Сменные рабочие инструменты с

резьбой должны точно подходить к резьбе шлифовального шпинделя. В сменных рабочих инструментах, монтируемых с помощью фланца, диаметр отверстий рабочего инструмента должен подходить к диаметру отверстий во фланце. Сменные рабочие инструменты, которые не точно крепятся на электроинструменте, вращаются неравномерно, очень сильно вибрируют и могут выйти из-под контроля.

- g) Не применяйте поврежденные принадлежности. Перед каждым использованием проверяйте принадлежности - шлифовальные диски на зазубрины и трещины, эластичные диски на трещины, разрывы или сильный износ, проволочные щетки на незакрепленные или поломанные проволоки. При случайном падении электроинструмента или принадлежности, проверьте инструмент на повреждения или установите неповрежденную принадлежность. После проверки и установки принадлежности, Вы и находящиеся вблизи лица, займите место за пределами плоскости вращения принадлежности и оставьте электроинструмент поработать на максимальных оборотах на холостом ходу в течение одной минуты. Обычно этого времени достаточно для того, чтобы поврежденные принадлежности сломались.
- h) Применяйте средства индивидуальной защиты. В зависимости от конкретного случая, пользуйтесь защитным щитком для лица или защитными очками. В случае необходимости используйте противопылевый респиратор, средства защиты слуха, защитные печатки или специальный халат, который задерживает мелкие частицы от шлифовальной принадлежности или обрабатываемой детали. Средства для защиты глаз должны защищать их от различных летящих предметов, возникающих при различных операциях. Противопылевый респиратор и газозащитные маски органов дыхания должны задерживать при работе пыль. Продолжительное воздействие сильного шума может привести к потере слуха.
- i) Следите за тем, чтобы все лица на-

ходились на безопасном расстоянии от Вашего рабочего участка. Каждое лицо, находящееся в пределах рабочего участка, должно носить средства индивидуальной защиты. Летящие осколки от обрабатываемых деталей или от сломанной принадлежности могут отлететь в сторону и причинить травму даже за пределами непосредственного рабочего участка.

- i) В случае потенциальной возможности касания режущей принадлежностью до скрытой электропроводки или до собственного питающего шнура, держите электроинструмент только за изолированные поверхности рукоятки. Контакт принадлежности с токоведущим проводом ставит под напряжение также открытые металлические части электроинструмента и может привести к поражению оператора электрическим током.
- k) Держите шнур подключения питания в стороне от вращающейся принадлежности. Если Вы потеряете контроль над электроинструментом, то шнур может быть порезан или захвачен вращающейся частью и Ваша кисть может попасть под вращающийся инструмент.
- l) Никогда не выпускайте электроинструмент из рук, пока принадлежность полностью не прекратит вращаться. Вращающаяся принадлежность может задеть обрабатываемый материал и в результате Вы потеряете контроль над электроинструментом.
- m) Выключайте электроинструмент при транспортировке. Ваша одежда может быть случайно захвачена принадлежностью, что может нанести Вам травму.
- n) Регулярно очищайте вентиляционные отверстия электроинструмента. Вентилятор электродвигателя засасывает пыль в корпус, а чрезмерное скопление металлической пыли может привести к опасности от поражения электрическим током.
- o) Не пользуйтесь электроинструментом вблизи горючих материалов. Искры могут воспламенить эти материалы.
- p) Не применяйте принадлежности, работа с которыми требует использования охлаждающих жидкостей. Применение воды или других охлаждающих жидкостей может привести к пораже-

нию или удару электрическим током.

- **Электроинструмент следует использовать только по назначению. Любое другое применение, отличающееся от указанного в данной инструкции, считается неправильным применением. Ответственность за любое повреждение или ранение, вызванное неправильным употреблением, несет потребитель, а не производитель.**
- **Производитель не несет ответственность в случае внесенных потребителем в электроинструмент изменений или за повреждения, вызванные такими изменениями.**
- **При работе в пыльной среде вентиляционные отверстия машины следует поддерживать в чистоте. Если необходимо удалить пыль, вначале следует отключить электропитание. Удалять пыль следует неметаллическими предметами для чистки пыли, предохраняя внутренние детали машины от повреждений. Электроинструмент будет перегреваться при нарушении охлаждения вследствие пыльных вентиляционных отверстий.**

Другие указания по безопасности всех операций

Обратный удар (отскок) и связанные с ним указания по безопасности

Обратный удар - это внезапная реакция, являющаяся следствием заклинивания или блокировки принадлежности, например шлифовального диска, эластичного диска, проволочной щетки и т.п. Заклинивание или блокировка водит до внезапной остановки вращения принадлежности, которое со своей стороны выталкивает неконтролируемый электроинструмент в сторону, противоположную направлению вращения рабочего инструмента в точке заклинивания.

Например, если шлифовальный диск заклинивает или блокирует в деталь (заготовку) то погруженная в заготовку кромка шлифовального диска застревает, вследствие чего диск может сломаться или спровоцировать отскок. Шлифовальный диск отскакивает к оператору или от него, в зависимости от направления вращения диска в месте блокировки. В этом случае шлифовальные диски могут сломаться.

Обратный удар является следствием неправильного использования и/или неправильной

эксплуатации или условий работы с электроинструментом, и может быть предотвращен благодаря нижеописанным мерам предосторожности.

- a) **Держите крепко электроинструмент, примите подходящую позу и поставьте руки таким образом, чтоб Вы смогли противодействовать силе обратного удара. Всегда используйте дополнительную рукоятку при ее наличии, чтобы как можно лучше противодействовать и осуществлять контроль над силой отскока или реактивным моментом при запуске. Благодаря правильным мерам предосторожности оператор может овладеть реактивным моментом и отскоком.**
 - b) **Ваши руки никогда не должны быть вблизи вращающейся принадлежности. Принадлежность может отскакивать и попасть на Ваши руки.**
 - c) **Держитесь в стороне от участка, в котором электроинструмент может двигаться при обратном ударе. Отскок ведет электроинструмент в направлении, противоположное движению шлифовального диска в месте блокировки.**
 - d) **При обработке углов, острых кромок и проч., работайте с повышенным вниманием. Не позволяйте принадлежности отскакивать или блокировать деталь. При обработке углов и острых кромок имеется вероятность заклинивания вращающейся принадлежности, что может причинить потерю контроля или отскок.**
 - e) **Не используйте цепные или циркулярные диски для обработки древесины. Данные принадлежности часто являются причиной отскока или потери контроля над электроинструментом.**
- **Фиксируйте положение обрабатываемой детали в тисках или иным подходящим способом.**

Специальные указания по безопасности по шлифованию и резанию абразивным диском

- a) **Используйте только рекомендованные для данного электроинструмента диски с предвиденным для них предохранителем. Диски, не предусмотренные для данного электроинструмента, не могут быть достаточно экранированы и небезопасны.**
- b) **Изогнутые шлифовальные круги не-**

обходимо монтировать таким образом, чтобы их шлифовальная поверхность не выступала за край защитного кожуха. *Неправильно смонтированный шлифовальный круг, выступающий за край защитного кожуха, не прикрывается достаточным образом.*

- c) **Защитный кожух должен закрепляться надежно к электроинструменту и настроен так, чтобы обеспечивать максимальную безопасность, т.е. в сторону оператора должна быть открыта как можно меньшая часть диска. Защитный кожух должен защищать оператора от осколков, случайного контакта с диском и искр, которые смогли бы поджечь одежду.**
- d) **Диски необходимо применять только для рекомендуемых работ. Например, никогда не шлифуйте боковой поверхностью отрезного диска. Отрезные диски предназначены для съема материала по кромке диска. Боковое давление на такой диск может привести к его поломке.**
- e) **Всегда применяйте неповрежденные затягивающие фланцы с подходящими размерами и формой для выбранного диска. Правильно выбранные затягивающие фланцы закрепляют диск и уменьшают вероятность его поломки. Затягивающие фланцы для отрезных дисков могут различаться от затягивающих фланцев для других видов дисков.**
- f) **Не используйте изношенные диски, предназначенные для электроинструментов более крупных габаритов. Диск для больших электроинструментов не подходит для более высоких скоростей малых электроинструментов и может сломаться.**
 - **Всегда соблюдайте направление движения диска. Реактивная сила действует в противоположном вращению направлении в месте шлифовки или резки, и является предпосылкой потери контроля над электроинструментом.**
 - **Удерживайте машину таким образом, чтобы искры и пыль при шлифовке отскакивали в сторону от вас. Электроинструменты образуют искры, которые могут прожечь одежду или незащищенные части тела.**
 - **Не допускается шлифовка и резка све-**

жеокрашенных металлических конструкций с невысохшей краской. *Существует опасность воспламенения невысохшей краски.*

- **Не допускается резка горимых материалов (дерева, пластмассы и пр.), а также панельных конструкций типа “сэндвич”, наполненных возгораемым наполнителем. Существует опасность возникновения пожара.**
- **Не допускается шлифовка и резка сооружений, работающих под давлением. Существует опасность возникновения эксплозии.**
- **Не допускается шлифовка и резка резервуаров, трубопроводов, аппаратов и др., в которых имеются, или имелись возгораемые или легко воспламеняемые вещества и материалы, без предварительных специальных мер противопожарной и взрывоопасной безопасности. Существует опасность возникновения пожара или эксплозии.**

Специальные указания по безопасности при резке с абразивным диском

- a) **Избегайте заклинивания отрезного диска или чрезмерного давления на него. Не пытайтесь выполнять слишком глубокие резы. Перегрузка отрезного диска увеличивает возможность его изнашивания и склонность к перекосу или блокировке, а оттуда - и возможность обратного удара (отскока) или поломки диска.**
- b) **Не стойте в участке перед и за вращающимся диском. Если отрезной диск в месте резки отдалится от Вашего тела, то в случае обратного удара электроинструмент с вращающимся диском может отскочить прямо на Вас.**
- c) **При заклинивании отрезного диска или по какой-либо причине Вам пришлось прекратить работу, выключите электроинструмент и держите его неподвижно до полного окончания вращения диска. Никогда не пытайтесь вынуть еще вращающийся диск из разреза, так как это может привести к обратному удару. Установите и отстраните причину заклинивания.**
- d) **Никогда не включайте повторно электроинструмент, до тех пор, пока отрезной диск находится еще в заготовке.**

Дайте отрезному диску достичь полного числа оборотов перед тем, как внимательно продолжите резание. В противном случае диск может застечь, выскочить из детали или отскочить.

- e) Плиты или детали с большими размерами необходимо подстраховать дополнительными опорами в целях уменьшения опасности заклинивания и обратного удара. Детали больших размеров могут провисать под тяжестью собственного веса. Деталь должна лежать на опорах с двух сторон диска, как вблизи разреза, так и по краям детали.
- f) Будьте особенно осторожны при выполнении резов с „погружением” в существующие стены или другие не просматриваемые (замурованные) участки. Погружающийся внутрь диск может порезать газопроводные или водопроводные трубы, электрическую проводку или другие объекты, что может привести к обратному удару.

Специальные указания по безопасности при шлифовании наждачной бумагой

- a) Не применяйте шлифовальные листы чрезмерно больших размеров, соблюдайте указания производителя о размерах наждачной бумаги. Шлифовальный лист, который выступает за край эластичного диска, может разорваться и тем самым привести к блокировке, разрыву листа или отскоку.

Специальные указания по безопасности при работе с проволочными щетками:

- a) Имейте в виду, что даже при нормальной работе с проволочных щеток падает проволока. Не перегружайте проволоку чрезмерным усилием прижатия. Отлетающие куски проволоки легко проникают через тонкую одежду и/или кожу.
- b) Если при работе с проволочной щеткой рекомендуется использовать защитный кожух, не допускайте соприкосновения кожных с дисковой (тарельчатой) или чашечной щеткой. Тарельчатые или чашечные проволочные щетки могут увеличивать свой диаметр под воздействием усилия при-

жатия и центробежных сил.

Знакомство с электроинструментом

До начала работы, ознакомьтесь со всеми оперативными особенностями электроинструмента и условиями техники безопасности. Используйте электроинструмента и его принадлежности только по назначению. Любое другое приложение категорически запрещено

1. Шпиндель
- 2.1. Шлифовальный диск (Использовать только вместе с предохранителем для шлифовального диска!)*
- 2.2. Отрезной диск (Использовать только вместе с предохранителем для отрезного диска!)*
- 3.1. Предохранитель для шлифовального диска
- 3.2. Предохранитель для отрезного диска*
4. Опорный фланец
5. Зажимный фланец
6. Дополнительная рукоятка
7. Выключатель
8. Кнопка блокировки выключателя
9. Кнопка блокировки шпинделя

ПРИНАДЛЕЖНОСТИ, КОТОРЫЕ МОГУТ ИСПОЛЬЗОВАТЬСЯ НА ЭТОМ ЭЛЕКТРОИНСТРУМЕНТЕ

10. Металлическая щетка*
11. Пластмассовый (резиновый) диск*
12. Наждачная бумага*
13. Специальная гайка*

* Изображенные на рисунках или описанные в тексте дополнительные аксессуары не поставляются вместе с инструментом.

Указания по работе

Эти электроинструменты подключаются только в однофазное непостоянное напряжение. Имеют двойную изоляцию согласно EN 60745 и IEC 60745-1 и могут подключаться к контактам без защитных клемм. Радиопомехи соответствуют Директивы Европейского парламента и Совета относительно электромагнитной совместимости.

Этот электроинструмент предназначен для резки, шлифовки и чистки металлов без использования воды.

ДО НАЧАЛА РАБОТ

- Машина может быть оснащена предохранителем фабрично. Убедитесь, что предохранитель установлен правильно и надежно зафиксирован перед первым и каждым последующим использованием.
- Машина может быть оснащена диском фабрично. Убедитесь, что диск установлен правильно и надежно зафиксирован перед первым и каждым последующим использованием
- Проверьте соответствие напряжения электросети с обозначенными на табличке технических данными электроинструмента.
- Проверьте положение выключателя. Электроинструмент следует подключать и отключать от сети питания только при выключенном выключателе. Если вставить штепсель в розетку при выключенном выключателе, электроинструмент немедленно приводится в действие, что может привести к ранению.
- Убедитесь в исправности кабеля питания и штепселя. Если кабель поврежден, во избежание возможных рисков, его замену осуществляет только производитель или его сервисный специалист.



ПРЕДОСТЕРЕЖЕНИЕ: Всегда отключайте электроинструмент и вынимайте штепсель из розетки перед тем, как приступить к любой настройке, обслуживанию или поддержанию, а также в случае отсутствия электрического напряжения.

- При применении алмазных отрезных кругов следите за тем, чтобы стрелка направления вращения на алмазном отрезном круге соответствовала направлению вращения электроинструмента (см. стрелку на редукторной головке).
- Проверьте соответствие диаметра и толщины диска указанным техническим данным. Обозначенные на диске допустимые показатели периферийной скорости не должны быть ниже 80 м/с. Диски следует хранить согласно инструкциям производителя.
- Если зона работ удалена от источника питания, используйте наиболее короткий возможный удлинитель с подходящим сечением.
- Проверьте правильность и надежность монтажа дополнительной рукоятки.

ПУСК - ОСТАНОВКА

Шлифовальная машина имеет защиту от произвольного пуска.

- Пуск: переместить вперед вспомогательную кнопку 8 с нижней стороны рукоятки, после этого нажать главный рычаг выключателя 7. При продолжительной работе выключатель 7 можно застопорить (только для моделей с индексом Р). В этом случае, при нажатии рычага выключателя 7, нажимается и кнопка 8, после чего рычаг освобождается.
- Остановка: отпустить выключатель 7, а если он заблокирован - вначале нажать, после чего отпустить.

В случае утечки напряжения в сети питания (или моментного отпадания более чем на 0,5 s) и во включенном положении переключателя, при восстановлении питания инструмент не может сработать. Для восстановления нормального состояния в таких случаях, необходимо выключить и затем заново включить переключатель питания.

ЗАЩИТНЫЙ КОЖУХ



ПРЕДОСТЕРЕЖЕНИЕ: Предохранитель 3.1 для шлифовального диска, или предохранитель 3.2 для отрезного диска (соответственно, для шлифовального диска 2.1 или для отрезного диска 2.2) должен быть всегда монтирован на инструменте!



ПРЕДОСТЕРЕЖЕНИЕ: Перед началом выполнения следующих операций, следует вынуть штепсель из розетки (отключить машину от сети электропитания).

Установка защитного кожуха (Рис. 1)

- Поверните черное пластмассовое кольцо (рис. 2а) так, чтобы прорезь S кольца совпала с прорезью, в которую попадает зубец рычага L.
- Установите защитный кожух в нерабочее положение (Рис.2а) так, чтобы четыре фиксирующих зубца вошли в пазы гнезда подшипника (Рис.2б).
- Нажмите затягивающий рычаг L (Рис.3) чтобы освободить его.
- Нажмите защитный кожух вниз и поверните его в требуемое рабочее положение (Рис.4).

- Отпустите затягивающий рычаг L в устойчивое положение, при котором защитный кожух застопорится (зубец затягивающего рычага попадет в один из пазов кожуха).

Установка кожуха в новом рабочем положении

- Нажмите затягивающий рычаг L (Рис.3) чтобы освободить его.

- Поверните защитный кожух в требуемое рабочее положение.

- Отпустите затягивающий рычаг L в устойчивое положение, при котором защитный кожух застопорится (зубец затягивающего рычага попадет в один из пазов кожуха).

Демонтаж кожуха

- Нажмите затягивающий рычаг L (Рис.3) чтобы освободить его.

- Поверните защитный кожух в нерабочее положение (Рис.2а) так, чтобы четыре фиксирующих зубца вошли в пазы гнезда подшипника (Рис.2b).

- Удалите кожух.

СМЕНА ДИСКА



ПРЕДОСТЕРЕЖЕНИЕ: Перед началом выполнения следующих операций, следует вынуть штепсель из розетки (отключить машину от сети электропитания).

Зафиксировать шпиндель 1 шлифовальной машины. При всех моделях это осуществляется нажатием кнопки 9, расположенной на редукторной коробке машины.



ПРЕДОСТЕРЕЖЕНИЕ: Не допускается нажатие кнопки 9 во время вращения шпинделя.

• При нажатой кнопке вращать шпиндель в сторону, обратную обозначению на предохранителе 3, до упора. Открутить зажимной фланец 5 специальным ключом. Установить новый диск на опорный фланец 4 надписью вверх, а зажимной фланец 5 затянуть специальным ключом. Используйте бумажные подложки-шайбы, если диск ими укомплектован. При диске толщиной до 6 мм зажимной фланец устанавливается плоской стороной к диску, а при толщине диска более 6 мм зажимной фланец 5 устанавливается к шпинделю так, чтобы ножка фланца вошла в отверстие диска. После смены диска, включите машину с но-

вым диском на одну минуту, без нагрузки. Вибрирующие или неравномерно вращающиеся диски следует немедленно сменить.

• Закрутить металлическую щетку 10 к шпинделю 1 с помощью гаечного ключа. Проверить длину резьбы щетки, которая должна быть достаточно длинной, чтобы соответствовать резьбе шпинделя.

• Шлифовка наждачной бумагой выполняется пластмассовым (резиновым) диском 11, под которым устанавливается лист наждачной бумаги 12. Пластмассовый диск 11 устанавливается поверх опорного фланца 4, и стягивается специальной гайкой 13, которой он укомплектован. При использовании рабочего диска с вставным фланцем, его следует непосредственно монтировать к шпинделю, не используя зажимной фланец 5, с помощью гаечного ключа. Диск с фланцем может быть изготовлен из просмоленной губки, пенополиуритана, с пластмассовой прокладкой, в которую вложен фланец, а сам лист наждачной бумаги прикреплен к пенополиуритановому диску с помощью "клеякой" системы. После смены диска включите на минуту машину в рабочий режим с новым диском, без нагрузки. Вибрирующие или неравномерно вращающиеся диски следует немедленно сменить.

ДОПОЛНИТЕЛЬНАЯ РУКОЯТКА (Рис. 5)

Обыкновенно, дополнительная рукоятка 6 прикручивается с левой стороны машины. Рукоятку можно закрутить и с правой стороны для удобства оператора. Машины снабжены третьим гнездом для подключения дополнительной рукоятки. Дополнительная рукоятка этих моделей монтирована к корпусу посредством виброгасящих элементов, которые защищают оператора и снижают трудоемкость работ.

ВРАЩЕНИЕ КОРПУСА

Корпус машины можно вращать на 90°. Такое вращение используется, в основном, при резке. Для этого функцию вращения корпуса следует настроить в специализированном сервисе для ручных электроинструментов SPARKY.

РЕКОМЕНДАЦИИ

Во время резки не упражняйтесь натиск и не перемещайте диск поперек разреза. Приме-

няйте умеренный натиск, соответствующий обрабатываемому материалу.

Соблюдайте направление резки. Машину следует направлять в сторону, обратную вращению диска. В противном случае существует опасность неконтролируемого выхода диска за рамки разреза. (Рис. 6)

При резке профилей и труб с прямоугольным сечением, рекомендуется начинать резку с наименьшей стороны.

При шлифовке не прижимайте машину к обрабатываемой поверхности, двигайте диск плавно вперед-назад. Легкие металлы следует обрабатывать специальными дисками. Наилучший результат при грубой шлифовке достигается при 30° - 40-градусном наклоне между диском и обрабатываемой поверхностью (Рис. 7). При грубой шлифовке не допускается использование дисков для резки. Использование дисков толщиной более 10 мм не рекомендуется.

Обслуживание



ПРЕДОСТЕРЕЖЕНИЕ: Всегда выключайте электроинструмент и вынимайте штепсель из розетки перед тем, как приступить к любой проверке или обслуживанию.

ЗАМЕНА ЩЕТОК

Электроинструмент снабжен самовыключающимися щетками. В случае изнашивания, щетки следует одновременно заменить на новые оригинальные щетки в сервисе SPARKY (гарантийный и вне-гарантийный ремонт).

ОБЩАЯ ПРОВЕРКА

Регулярно проводите проверку всей крепежной - они должны быть крепко затянуты. В случае, если какой-либо винт откручен, его следует немедленно закрутить во избежание опасности.

В случае повреждения кабеля питания, его замену должен произвести изготовитель или его сервисный специалист, во избежание опасности.

УХОД

Для обеспечения безопасной работы всегда поддерживайте в чистоте и машину, и ее вентиляционные отверстия.

Регулярно проверяйте вентиляционные отверстия электродвигателя или переключателей на наличие пыли или чужеродных тел. Используйте мягкую щетку и/или струю воздуха для удалений пыли. Во избежание повреждения глаз, во время ухода за устройством пользуйтесь защитными очками.

Если корпус машины загрязнен, протрите его мягкой влажной салфеткой. Можно использовать слабый моющий препарат.



ПРЕДОСТЕРЕЖЕНИЕ: Не допускается употребление спирта, бензина и прочих растворителей. Никогда не пользуйтесь разъедающими препаратами для чистки пластмассовых частей



ПРЕДОСТЕРЕЖЕНИЕ: Не допускается попадание и контакт устройства с водой.

ВАЖНО! В целях обеспечения безопасности работы электроинструмента и его надежности, все ремонтные работы, обслуживание и регулировку устройства (включительно проверку и замену щеток) следует проводить в специализированных сервисах SPARKY, используя исключительно оригинальные запасные части.

Гарантия

Гарантийный срок электроинструментов SPARKY указан в гарантийной карте.

Неисправности, появившиеся в результате естественного изнашивания, перегрузки или неправильной эксплуатации, не входят в гарантийные обязательства.

Неисправности, появившиеся вследствие применения некачественных материалов и/или из-за производственных ошибок, устраняются без дополнительной оплаты путем замены или ремонта.

Рекламации дефектного электроинструмента SPARKY принимаются в том случае, если машина будет возвращена поставщику, или специализированному гарантийному сервису в не разобранном (первоначальном) состоянии.

Замечания

Внимательно прочтите всю инструкцию по эксплуатации перед тем, как приступить к использованию этого изделия.

Производитель сохраняет за собой право вносить в свои изделия улучшения и изменения, а также изменять спецификации без предупреждения.

Спецификации для разных стран могут различаться.

Зміст

Введення	101
Технічні дані	103
Загальні вказівки з безпеки при роботі з електроприладами	104
Додаткові вказівки по роботі з кутошліфувальними машинами	106
Ознайомлення з електроінструментом	A/109
Вказівки щодо роботи	B/110
Обслуговування	112
Гарантія	113

РОЗПАКУВАННЯ

У відповідності з загальноприйнятими технологіями великосерійного виробництва, майже не існує ризику поломки Вашого електроінструменту, або відсутності будь-якої з його частин. Якщо ви все ж таки встановите пошкодження, не використовуйте електроінструмент до тих пір, поки дефектна частина не буде замінена, а несправність - усунена. Порушення цієї рекомендації може призвести до серйозного трудового інциденту.

ЗБІРКА

Кутошліфувальна машина постачається в упаковці, у повністю зібраному вигляді, за винятком запобіжника і додаткової рукоятки.

Введення

Придбаний Вами електроінструмент SPARKY перевершить Ваші очікування. Він зроблений у відповідності до високих стандартів якості SPARKY, що відповідають суворим вимогам споживача. Його легко обслуговувати і він безпечний при експлуатації, при правильному використанні цей електроінструмент буде служити Вам довгі роки.

ЗАСТЕРЕЖЕННЯ!



Прочитайте уважно і цілком інструкцію з експлуатації, перед використанням новопридбаного електроінструменту SPARKY. Зверніть спеціальну увагу на параграфи, позначених словом "Застереження". У Вашого електроінструменту SPARKY багато якостей, які полегшують роботу. При розробці цього інструменту основну увагу було направлено на безпеку, експлуатаційні якості і надійність, які полегшують його обслуговування і експлуатацію.



Не викидайте електроінструменти разом з побутовими відходами!

Відходи від електричних виробів не варто збирати разом з побутовими відходами. Будь ласка, викидайте в місцях, призначених для цього. Зв'яжіться з місцевою владою або представником для консультації щодо повторної переробки.

ОХОРОНА НАВКОЛИШНЬОГО СЕРЕДОВИЩА



З урахуванням охорони навколишнього середовища електроінструмент, належності й упаковка повинні надати відповідній переробці для повторного використання сировини, що міститься в них. Для полегшення повторної переробки деталей, зроблених з штучних матеріалів, вони позначені відповідним чином.

ОПИС СИМВОЛІВ

Табличка з даними електродріля містить спеціальні символи. Вони є важливою інформацією про використання інструмента та його характеристики.



Подвійна ізоляція для додаткового захисту.



Приєднувальна різьба шпинделя М14.



Відповідає чинним європейським директивам.



Відповідає регламентам Митного союзу.



Ознайомтеся з інструкцією з експлуатації.



Завжди надягайте захисні окуляри.

YYYY-Www Термін виробництва, де змінними символами є:
YYYY - рік випуску,
ww - черговий календарний тиждень.

M,MA,MB,MBA Кутошліфувальна машина.

Технічні дані

Модел	M2000 HD MB2000P HD	MA2000 HD MBA2000P HD	M2200 HD MB2200P HD	MA2200 HD MBA2200P HD	M2400 HD MB2400P HD	MA2400 HD MBA2400P HD	MB2600P HD	MBA2600P HD
Споживана потужність	2000 W	2000 W	2200 W	2200 W	2400 W	2400 W	2600 W	2600 W
Номинальна кількість обертів	8500 min ⁻¹	6600 min ⁻¹	8500 min ⁻¹	6600 min ⁻¹	8500 min ⁻¹	6600 min ⁻¹	8500 min ⁻¹	6600 min ⁻¹
З'єднувальна різьба шпинделя	M14	M14	M14	M14	M14	M14	M14	M14
Довжина різьби шпинделя	20 mm	20 mm	20 mm	20 mm	20 mm	20 mm	20 mm	20 mm
Внутрішній діаметр шліфувального диска	22.23	22.23	22.23	22.23	22.23	22.23	22.23	22.23
Максимальний діаметр шліфувального диска	180 mm	230 mm	180 mm	230 mm	180 mm	230 mm	180 mm	230 mm
Максимальна товщина шліфувального диска	10 mm	10 mm	10 mm	10 mm	10 mm	10 mm	10 mm	10 mm
Вага (EPTA) процедура 01/2014)	5.4 kg	5.6 kg	5.3 kg	5.5 kg	6.0 kg	6.2 kg	6.1 kg	6.3 kg
Клас захисту (EN 60745-1)	II	II	II	II	II	II	II	II

ІНФОРМАЦІЯ ПРО ШУМ ТА ВІБРАЦІЇ

Показники заміряні згідно EN 60745.

Рівень шуму, що виділяється

A-зважений рівень звуку

навантаження L_{pA} 91 dB(A) 91 dB(A) 92 dB(A) 92 dB(A) 92 dB(A) 92 dB(A) 92 dB(A) 92 dB(A)

Невизначеність K_{pA} 3.0 dB 3.0 dB 3.0 dB 3.0 dB 3.0 dB 3.0 dB 3.0 dB 3.0 dB

A-зважений рівень звукової

потужності L_{WA} 102 dB(A) 102 dB(A) 103 dB(A) 103 dB(A) 103 dB(A) 103 dB(A) 103 dB(A) 103 dB(A)

Невизначеність K_{WA} 3.0 dB 3.0 dB 3.0 dB 3.0 dB 3.0 dB 3.0 dB 3.0 dB 3.0 dB

Користуйтеся засобами захисту від шуму!

Рівень вібрацій *

Загальний рівень вібрацій (сума векторів у трьох напрямках), визначена згідно EN 60745:

Шліфування поверхонь:

Показник

вібрацій a_{AG} 5.1 m/s² 5.1 m/s² 5.0 m/s² 5.0 m/s² 4.9 m/s² 4.9 m/s² 5.0 m/s² 5.0 m/s²

Невизначеність K_{AG} 1.5 m/s² 1.5 m/s² 1.5 m/s² 1.5 m/s² 1.5 m/s² 1.5 m/s² 1.5 m/s² 1.5 m/s²

Шліфування наждачним папером

Показник

вібрацій a_{DS} 5.4 m/s² 5.4 m/s² 5.4 m/s² 5.4 m/s² 5.4 m/s² 5.4 m/s² 5.4 m/s² 5.4 m/s²

Невизначеність K_{DS} 2.0 m/s² 2.0 m/s² 1.5 m/s² 1.5 m/s² 1.5 m/s² 1.5 m/s² 2.0 m/s² 2.0 m/s²

* Рівень вібрацій визначений згідно п. 6.2.7 EN 60745.

Вказаний в інструкції рівень вібрацій виміряний відповідно до встановлених EN 60745 методик випробувань, і може використовуватися для порівняння електроінструментів. Рівень вібрацій може використовуватися для попередньої оцінки впливу.

Зазначений рівень вібрацій надано за умови використання інструменту за його прямим призначенням. У тих випадках, коли електроінструмент використовується для інших цілей, з іншими речами, рівень вібрацій може відрізнятися від зазначеного. У цих випадках рівень впливу може значно зрости в рамках загального періоду роботи.

Для точної оцінки впливу вібрацій, під час певного періоду роботи необхідно враховувати проміжки часу, в які електроінструмент вимкнено, або хоча і включений, але фактично не використовується. Це може істотно скоротити вплив вібрацій протягом всього періоду роботи.

Зберігайте електроінструмент і його речі в гарному стані. Під час роботи намагайтеся зберігати руки теплими - це допоможе зменшити шкідливий вплив при роботі з підвищеною вібрацією. Пил матеріалів, наприклад - фарби з вмістом свинцю, деяких сортів деревини, мінералів і металу може бути шкідливим для здоров'я. Дотик до пилу і потрапляння пилу в дихальні шляхи може викликати алергічні реакції та / або захворювання дихальних шляхів оператора або персоналу, що знаходиться поблизу.

Певні види пилу, наприклад, з дуба та бука, вважаються канцерогенними, особливо з присадками для обробки деревини (хромат, засіб для захисту деревини, тощо). Матеріал з вмістом азбесту дозволяється обробляти тільки фахівцям.

- По можливості застосовуйте відсмоктування пилу.
- Для досягнення максимальної високої ефективності збирання пилу при роботі з даним приладом, використовуйте пилосос, призначений для збору пилу з деревини або для пилу з деревини та / або мінерального пилу.
- Слідкуйте за хорошою вентиляцією.
- Рекомендується користуватися дихальною захисною маскою з фільтром класу P2.

Дотримуйтесь розпорядження щодо оброблюваних матеріалів, що діють у Вашій країні.

Усі моделі, позначені символом А при позначенні типу вказують на максимальний діаметр робочого інструмента Ø230mm. За відсутності цього символу максимальний діаметр робочого інструмента складає Ø180mm.

Всі моделі з індексом В обладнані вбудованим електронним пристроєм, що забезпечують повільне збільшення швидкості до номінальних обертів й обмеження струму у разі пуску до 16 А.

Всі моделі з індексом Р у типовому позначенні мають захист від самовільного пуску у разі раптового відключення напруги, або у разі виключення штепселя більш ніж на 0,5 сек. Електроінструмент залишається у вимкненому положенні, і приводиться у дію тільки після вимкнення та повторного пуску. У разі відсутності цього індексу вимикач не має функції блокування у режимі роботи. (Функціонування функції захисту описано у розділі «Вказівки щодо роботи»)

Загальні вказівки з безпеки при роботі з електроприладами



ЗАСТЕРЕЖЕННЯ! Прочитайте всі попередження і вказівки з безпеки. Недодержання попереджень і вказівок з безпеки може призвести до ураження електричним струмом, пожежі та / або важкого поранення.

Збережіть всі попередження та вказівки для подальшого використання.

Термін "електроприлад" у всіх зазначених нижче попередженнях стосується вашого електроприладу, з живленням від мережі (з кабелем), та / або електроприладу з живленням від акумуляторної батареї (без кабелю).

1) Безпека робочого місця

- а) Утримайте робоче місце в чистоті і добре освітленим. Безлад і недостатнє

освітлення є передумовою виникнення трудових інцидентів.

- б) Не працюйте з електроприладами у вибухонебезпечній атмосфері при наявності займистих рідин, газів або пилу. Електроприлади створюють іскри, що можуть займати пил або пари.
- в) Тримайте дітей та сторонніх осіб на відстані, коли працюєте з електроприладом. Розсіювання уваги може призвести до втрати контролю з Вашого боку.

2) Електрична безпека

- а) Штепселі електроприладів повинні відповідати контактним гніздам. Ніколи не змінюйте штепсель у будь-який спосіб. Не використовуйте будь-які адаптерні штепселі для електроприладів із захисним заземленням. Використання оригінальних штепселів і відповідних їм контактів зменшує ризик удару електричним струмом.
- б) Уникайте дотику тіла з землею або заземленими поверхнями, такими як труби, радіатори, кухонні плити та холодильники. Якщо ваше тіло заземлене, існує підвищений ризик ураження електричним струмом.

- c) **Не залишайте електроприлади під дощем або у вологому середовищі.** Проникнення води в електроприлади підвищує ризик ураження електричним струмом.
 - d) **Використовуйте кабелі за призначенням.** Ніколи не використовуйте кабелі для перенесення електроприладу, натягування або відключення штепселя з контактного гнізда. Тримайте кабель далеко від тепла, олії, гострих кутів, що рухаються. Пошкоджені або заплутані кабелі підвищують ризик поразок електричним струмом.
 - e) **Під час зовнішніх робіт використовуйте подовжувач, що підходить для цих цілей.** Використання подовжувача, призначеного для зовнішніх робіт, зменшує небезпеку від ураження електричним струмом.
 - f) **У випадку, якщо робота з електроприладом у вологому середовищі неминуча, використовуйте запобіжний пристрій, який робить на залишковому струмі для переривання подачі струму.** Використання запобіжного пристрою зменшує ризик ураження електричним струмом.
- 3) Особиста безпека**
- a) **Будьте пильні, працюйте з підвищеною увагою і проявляйте розсудливість, коли працюєте з електроприладом.** Не використовуйте електроприлад, коли ви стомлені, або під впливом наркотиків, алкоголю, медикаментів, тощо. Одна мить не уваги при роботі з електроприладом може призвести до серйозної виробничої травми.
 - b) **Використовуйте індивідуальні засоби захисту.** Носіть завжди захисні окуляри. Індивідуальні засоби захисту, такі як маска проти пилу, неслизьке взуття, захисний шолом або засоби для захисту слуху, що використовуються в конкретних умовах, знижують ризик виникнення виробничих травм.
 - c) **Уникайте мимовільного пуску інструменту.** Переконайтеся, що вимикач знаходиться в положенні “вимкнено” перед включенням в джерело живлення та / або акумуляторної батареї, перед тим, візьмете в руки або перенесите. Носіння електроприладу з пальцем на вимикачі або підключення до джерела живлення електроінструменту з вимикачем у включеному положенні є передумовою для виробничої травми.
 - d) **Видаліть кожен гайковий ключ перед включенням електроприладу.** Ключ для затягування або гайковий ключ, прикріплений до частини електроприладу, що обертається, може призвести до трудового інциденту.
 - e) **Не простягайтесь занадто.** Підтримуйте правильне положення і рівновагу протягом всієї роботи. Це дозволить краще керувати електроприладом у несподіваних ситуаціях.
 - f) **Носіть придатний одяг. Не носіть широкий одяг або прикраси.** Тримайте своє волосся, одяг і рукавички далеко від рухомих частин. Широкий одяг, біжутерія та довге волосся можуть потрапити в рухомі частини.
 - g) **Якщо електроприлад має пристосування для пилу, переконайтеся, що воно правильно встановлено і правильно використовується.** Використання цих пристроїв може знизити пов'язані з пилом небезпеки.
- 4) Експлуатація і догляд за електроприладами**
- a) **Не перевантажуйте електроприлад.** Використовуйте правильно вибраний електроприлад згідно з його призначенням. Правильно підібраний електроприлад працює краще і безпечніше для оголошеного режиму роботи, для якого він спроектований.
 - b) **Не використовуйте електроприлад у випадку, якщо вимикач не переходить у включену і виключену позицію.** Кожен електроприлад, який не може управлятися за допомогою вимикача, є небезпечним і підлягає ремонту.
 - c) **Вимкніть штепсель від електромережі перед тим, як почати будь-які налаштування, перед заміною приладдя або перед тим, як прибрати електроприлад для зберігання.** Ці запобіжні заходи знижують ризик мимовільного пуску електроприладу.
 - d) **Зберігайте невикористані електроприлади в місцях, недоступних для дітей, і не дозволяйте користуватися ним обслуговуючому персоналу, який не знайомий з електроприладом або інструментами з експлуатації.** Електроприлади є небезпечними в руках ненавчених споживачів.
 - e) **Перевіряйте електроприлади.** Пере-

віряйте, чи працюють нормально і рухаються вільно рухомі частини, чи знаходяться в цілості і справності усі частини, а також перевіряйте всі інші обставини, які можуть негативно вплинути на роботу електроприладу. У разі ушкоджень електроприлад необхідно відремонтувати перед його подальшим використанням. Багато інцидентів заподіюються у випадку поганого обслуговування електроприладів.

- f) Підтримуйте ріжучі інструменти гострими і чистими. Правильно підтримані ріжучі інструменти з гострими кутами рідше блокуються і простіше управляються.
 - g) Використовуйте електроприлад, приналежності (комплектуючі) і частини інструменту і т.д. відповідно до цих інструкцій та у засіб, передбачений для конкретного типу електроприладу, маючи на увазі робочі умови і роботу, яку необхідно виконувати. Використання електроприладу для роботи не за призначенням може призвести до небезпечної ситуації.
- 5) Технічне обслуговування
- a) Ремонтуйте ваш електроприлад у кваліфікованого фахівця з ремонту, при цьому використовуйте тільки оригінальні запасні частини. Це забезпечує безпеку електроприладу.

Додаткові вказівки по роботі з кутосліфувальними машинами

Загальні вказівки безпеки по шліфуванню абразивним диском, шліфуванню наждачним папером, чищенню з дротяними щітками, поліруванню і різанню абразивним диском:

- a) Цей електроінструмент може використовуватися в якості шліфувальної машини з абразивним диском, із наждачним папером, із дротяними щітками і машини для нарізання з абразивним диском. Прочитайте уважно всі вказівки з безпеки, інструкції, ілюстрації і дані, які Ви отримали з електроінстру-

ментом. Недотримання вказівок із безпеки може призвести до ураження електричним струмом, виникнення пожежі та/або отримання серйозних травм.

- b) Цей електроінструмент не придатний для полірування. Виконання робіт, для яких цей електроінструмент не передбачений, може стати причиною небезпек і травм.
- c) Не використовуйте приладдя, не дозволене і не рекомендоване виробником спеціально для даного електроінструмента. Можливість кріплення приладдя до Вашого електроінструменту не гарантує безпечного використання.
- d) Допустима кількість обертів приладдя повинна бути не менше максимального числа обертів, зазначеного на електроінструменті. Приладдя, що обертається зі швидкістю, що перевищує цю номінальну швидкість, може розбитися і розлетітися навколо.
- e) Зовнішній діаметр і товщина робочого інструмента повинні бути не менше зазначених розмірів Вашого електроінструменту. Приладдя з невідповідними розмірами не може бути безпечним або контролюватися у достатній мірі.
- f) Вставні робочі інструменти з різьбою повинні точно пасувати до різьби шліфувального шпинделя. У вставних робочих інструментах, які монтуються за допомогою фланця, діаметр отвору вставного робочого інструмента повинен пасувати до прийомного діаметра фланця. Вставні робочі інструменти, що не точно кріпляться на електроінструменті, обертаються нерівномірно, сильно вібрують і можуть призвести до втрати контролю над ними.
- g) Не використовуйте пошкоджене приладдя. Перед кожним використанням перевіряйте приладдя: шліфувальні диски - на щербини і тріщини, еластичні диски - на тріщини, розриви або сильний знос, дротяні щітки - на незакріплені або поламані дрти. У разі випадкового падіння електроінструменту або приладдя, перевірте інструмент на наявність пошкоджень або встановіть неушкоджене приладдя. Після перевірки й встановлення приладдя, Ви та особи, що знаходяться поблизу, мають зайняти місце за межами площини обертання прилад-

дя і дати електроінструменту попрацювати на максимальних обертах на неробочому ході протягом однієї хвилини. Зазвичай цього часу достатньо для того, щоб пошкоджене приладдя зламалося.

- h) Застосуйте засоби індивідуального захисту. В залежності від конкретного випадку, користуйтеся захисним щитком для обличчя або захисними окулярами. У разі необхідності використовуйте протипиловий респіратор, засоби захисту слуху, захисні рукавиці або спеціальний халат, який затримує дрібні частинки від шліфувального приладдя або оброблюваної деталі. Засоби для захисту очей повинні захищати їх від різних предметів, що летять під час виконання різних операцій. Протипиловий респіратор і газозахисні маски органів дихання повинні затримувати пил під час роботи. Тривалий вплив сильною шуму може призвести до втрати слуху.
- i) Слідкуйте за тим, щоб інші особи перебували на безпечній відстані від Вашої робочої ділянки. Кожна особа, що перебуває у межах робочої ділянки, повинна носити засоби індивідуального захисту. Летючі осколки від оброблюваних деталей або від зламаної приладдя можуть відлетіти убік і заподіяти травму навіть за межами безпосередньої робочої ділянки.
- j) Якщо існує можливість контакту ріжучого приладдя з прихованою електропроводкою або з власним дротом живлення, тримайте електроінструмент тільки за ізольовані поверхні рукояток. Контакт приладдя зі струмоведучим проводом ставить під напругу також відкриті металеві частини електроінструменту і може призвести до ураження оператора електричним струмом.
- k) Тримайте шнур підключення живлення збоку від приладдя, що обертається. Якщо Ви втратите контроль над електроінструментом, то шнур може бути порізаний або захоплений частиною, що обертається, і Ваша кисть може потрапити під інструмент, що обертається.
- l) Ніколи не відпускайте електроінструмент із рук, поки приладдя повністю не припинить обертатися. Приладдя,

що обертається, може зачепити оброблюваний матеріал, у результаті чого Ви втратите контроль над електроінструментом.

- m) Вимикайте електроінструмент під час транспортування. Ваш одяг може бути випадково захоплений приладдям, що може завдати Вам травму.
- n) Регулярно очищайте вентиляційні отвори електроінструменту. Вентилятор електродвигуна засмоктує пил у корпус, а надмірне скупчення металевого пилу може призвести до небезпеки від ураження електричним струмом.
- o) Не використовуйте електроінструмент поблизу легкозаймистих матеріалів. Іскри можуть призвести до займання цих матеріалів.
- p) Не застосуйте приладдя, для роботи з яким необхідно використовувати охолоджуючі рідини. Застосування води або інших охолоджуючих рідин може призвести до ураження або удару електричним струмом.
- Електроінструмент слід використовувати тільки за призначенням. Будь-яке інше застосування, що відрізняється від зазначеного у цій інструкції, вважається неправильним застосуванням. Відповідальність за будь-яке пошкодження або поранення, викликане неправильним застосуванням, несе споживач, а не виробник.
 - Виробник не несе відповідальності у разі внесення споживачем модифікацій в електроінструмент або за пошкодження, викликані такими модифікаціями.
 - Під час роботи у пильному середовищі вентиляційні отвори машини слід підтримувати у чистоті. Якщо необхідно видалити пил, спочатку слід відключити електроживлення. Видаляти пил слід неметалевими предметами для чищення пилу, оберігаючи внутрішні деталі машини від пошкоджень. Електроінструмент буде перегріватися у разі порушення охолодження у зв'язку з пилосими вентиляційними отворами.

Інші вказівки з безпеки всіх операцій

Зворотний удар (відскік) і пов'язані з ним вказівки з безпеки

Зворотний удар - це раптова реакція, яка є наслідком заклинювання або блокування

приладдя, наприклад шліфувального диска, еластичного диска, дротяної щітки і т.п. Заклинювання або блокування приводить до раптової зупинки обертання приладдя, яке зі свого боку виштовхує неконтрольований електроінструмент у сторону, протилежну напрямку обертання робочого інструмента у точці заклинювання.

Наприклад, якщо шліфувальний диск заклинить або блокує у деталь (заготовку) то занурена у заготовку кромка шліфувального диска застряє, внаслідок чого диск може зламатися або спровокувати відскік. Шліфувальний диск відскакує до оператора або від нього, у залежності від напрямку обертання диска у місці блокування. В цьому випадку шліфувальні диски можуть зламатися.

Зворотний удар є наслідком неправильного використання та/або неправильної експлуатації або умов роботи з електроінструментом, і може бути попереджений за допомогою нижчеописаних заходів безпеки.

- a) **Тримайте міцно електроінструмент, прийміть відповідну позу і поставте руки таким чином, щоб Ви змогли протидіяти силі зворотного удару. Завжди використовуйте додаткову рукоятку за її наявності, щоб якомога краще протидіяти і здійснювати контроль над силою відскоку або реактивним моментом під час запуску. Завдяки правильним заходам безпеки оператор може контролювати реактивний момент і відскік.**
- b) **Ваші руки ніколи не повинні знаходитись поблизу приладдя, що обертається. Приладдя може відскочити і потрапити на Ваші руки.**
- c) **Тримайтеся осторонь від ділянки, по якій електроінструмент може рухатися у разі зворотного удару. Відскік веде електроінструмент у напрямку, протилежному рухові шліфувального диска у місці блокування.**
- d) **Під час обробки кутів, гострих кромок та іншого, працюйте з підвищеною увагою. Не дозволяйте приладдя відскакувати або блокувати деталь. Під час обробки кутів і гострих кромок існує ймовірність заклинювання приладдя, що обертається, що може призвести до втрати контролю або відскоку.**
- e) **Не використовуйте ланцюгові або циркулярні диски для обробки деревини. Дане приладдя часто є причиною відскоку або втрати контролю над**

електроінструментом.

- **Фіксуйте положення оброблюваної деталі у лещатах або іншим відповідним способом.**

Спеціальні вказівки з безпеки по шліфуванню та різанню абразивним диском

- a) **Використовуйте тільки рекомендовані для даного електроінструмента диски з передбачуваним для них запобіжником. Диски, не передбачені для даного електроінструмента, не можуть бути достатньо екрановані і небезпечні.**
- b) **Вигнуті шліфувальні круги потрібно монтувати таким чином, щоб їх робоча поверхня не виступала за край захисного кожуха. Неправильно монтовані шліфувальний круг, що виступає за край захисного кожуха, не захищений достатнім чином.**
- c) **Захисний кожух повинен закріплюватися надійно до електроінструменту і налаштований так, щоб забезпечувати максимальну безпеку, тобто у бік оператора повинна бути відкрита як можна менша частина диску. Захисний кожух має захищати оператора від уламків, випадкового контакту з диском і іскор, які змогли б підпалити одяг.**
- d) **Диски необхідно застосовувати тільки для рекомендованих робіт. Наприклад, ніколи не шліфуйте бічною поверхнею відрізного диска. Відрізнi диски призначені для знімання матеріалу по кромці диска. Бічний тиск на такий диск може привести до його поломки.**
- e) **Завжди застосовуйте неушкоджені фланці для затягнення з відповідними розмірами і формою для обраного диска. Правильно обрані фланці, що затягають закріплюють диск і зменшують вірогідність його поломки. Фланці, що затягають для відрізнних дисків можуть відрізнятись від фланців, що затягають для інших видів дисків.**
- f) **Не використовуйте зношені диски, призначені для електроінструментів більших габаритів. Диск для великих електроінструментів не підходить для більш високих швидкостей малих електроінструментів і може зламатися.**
- **Завжди дотримуйтесь напрямку руху диска. Реактивна сила діє у протилежному обертанню напрямку у місці шлі-**

фування або різання, й є передумовою втрати контролю над приладом.

- Утримуйте машину таким чином, щоб іскри та пил під час шліфування відскакували вбік від вас. Електроінструменти утворюють іскри, які можуть пропалити одяг або незахищені частини тіла.
- Не допускається шліфування та різання свіжофарбованих металевих конструкцій із висохлою фарбою. Існує небезпека займання висохлої фарби.
- Не допускається різання горючих матеріалів (дерева, пластмаси тощо), а також панельних конструкцій типу “сендвіч”, наповнених займистим наповнювачем. Існує небезпека виникнення пожежі.
- Не допускається шліфування та різання споруд, що працюють під тиском. Існує небезпека вибуху.
- Не допускається шліфування та різання резервуарів, трубопроводів, апаратів тощо, в яких є, або були займисті або легко займисті речовини і матеріали, без попередніх спеціальних заходів протипожежної і вибухонебезпечної безпеки. Існує небезпека виникнення пожежі або вибуху.

Спеціальні вказівки з безпеки під час різання з абразивним диском

- a) Уникайте заклинювання відрізного диску або надмірного тиску на нього. Не намагайтеся виконувати надто глибокі порізи. Перевантаження відрізного диска збільшує можливість його зношування і схильність до перекосу або блокування, а звідси - і можливість зворотного удару (відскоку) або поломки диска.
- b) Не стійте на ділянці перед і за диском, що обертається. Якщо відрізний диск у місці різання віддаляється від Вашого тіла, то у разі зворотного удару електроінструмент із обертовим диском може відскочити прямо на Вас.
- c) У разі заклинювання відрізного диска або якщо з якоїсь причини Вам довелося припинити роботу, вимкніть електроінструмент і тримайте його нерухомо до повного зупинення обертання диска. Ніколи не намагайтеся вийняти диск, що ще обертається з розрізу, так як це може привести до

зворотного удару. Встановіть й усуньте причину заклинювання.

- d) Ніколи не включайте повторно електроінструмент, до тих пір, поки відрізний диск знаходиться ще у заготівці. Дайте відрізного диска досягти повного числа обертів перед тим, як уважно продовжити різання. В іншому випадку диск може засісти, вискочити з деталі або відскочити.
- e) Плити або деталі з великими розмірами необхідно підстрахувати додатковими опорами з метою зменшення небезпеки заклинювання і зворотного удару. Деталі великих розмірів можуть провисати під вагою власної ваги. Деталь повинна лежати на опорах із двох сторін диска, як поблизу розрізу, так і по краях деталі.
- f) Будьте особливо обережні під час виконання розрізів із “зануренням” в існуючі стіни або інші ділянки, що не проглядаються (замуровані). Диск, що занурюється всередину, може порізати газопровідні або водопровідні труби, електричну проводку або інші об'єкти, що може привести до зворотного удару.

Спеціальні вказівки з безпеки під час шліфування наждачним папером

- a) Не застосовуйте шліфувальні листи з надмірно великими розмірами, дотримуйтеся вказівок виробника щодо розмірів наждачного паперу. Шліфувальний лист, який виступає за край еластичного диска, може розірватися і таким чином привести до блокування, розриву листа або відскоку.

Спеціальні вказівки з безпеки під час роботи з дротяними щітками:

- a) Майте на увазі, що навіть під час нормальної роботи з дротяних щіток падає дріт. Не перевантажуйте дріт надмірним зусиллям притиснення. Штатки дроту, що відлітають, легко проникають через тонкий одяг та/або шкіру.
- b) Якщо під час роботи з дротяною щіткою рекомендується використання захисного кожуху, не допускайте зіткнення кожуха з дисковою (тарілчастою) або чашковою щіткою. Тарілчасті або чашкові дротяні щітки можуть збільшувати свій діаметр під впливом

зусилля притиснення і відцентрових сил.

Ознайомлення з електроінструментом

Перед початком роботи, ознайомтеся з усіма функціональними особливостями електроінструменту й умовами техніки безпеки.

Використовуйте електроінструмент і приладдя тільки за призначенням. Будь-яке інше застосування категорично заборонене.

1. Шпindel

2.1 Шліфувальний диск (Використовувати тільки разом із запобіжником для шліфувального диску!)*

2.2 Відрізний диск (Використовувати тільки разом із запобіжником для відрізного диску!)*

3.1 Запобіжник для шліфувального диску диска

3.2 Запобіжник для відрізного диску*

4. Опорний фланець

5. Фланець для затискання

6. Додаткова рукоятка

7. Вимикач

8. Кнопка блокування вимикача

9. Кнопка блокування шпинделя

ПРИЛАДДЯ, ЩО МОЖЕ ВИКОРИСТОВУВАТИСЯ НА ЦЬОМУ ЕЛЕКТРОІНСТРУМЕНТІ

10. Металева щітка *

11. Пластмасовий (гумовий) диск *

12. Наждачний папір *

13. Спеціальна гайка *

* Зображені на малюнках або описані у тексті додаткові аксесуари не постачаються разом із інструментом.

Вказівки щодо роботи

Ці електроінструменти під'єднуються тільки до однофазної непостійної напруги. Мають подвійну ізоляцію згідно EN 60745 і IEC 60745-1 і можуть підключатися до контактів без захисних клем. Радіоперешкоди відповідають Директиві Європейського парламенту та Ради щодо електромагнітної сумісності. Цей електроінструмент призначений для рі-

зання, шліфування і чищення металів без використання води.

ДО ПОЧАТКУ РОБІТ

- Машина може бути оснащена запобіжником фабрично. Переконайтеся, що запобіжник встановлений правильно і надійно зафіксований, перед першим і кожним наступним використанням.
- Машина може бути оснащена диском фабрично. Переконайтеся, що диск встановлений правильно і надійно зафіксований перед першим і кожним наступним використанням.
- Перевірте відповідність напруги електромережі щодо позначених на табличці технічних даних електроінструменту.
- Перевірте положення вимикача. Електроінструмент слід підключати та відключати від мережі живлення тільки, якщо вимикач вимкнений. Якщо вставляєте штепсель у розетку, а вимикач перебуває в увімкненому положенні, електроінструмент негайно почне працювати, що може призвести до поранення.
- Переконайтеся у справності кабелю живлення і штепселя. Якщо кабель пошкоджений, для уникнення можливих ризиків його заміну здійснює тільки виробник або його сервісний фахівець.



ЗАСТЕРЕЖЕННЯ: Завжди відключайте електроінструмент та виймайте штепсель із розетки перед будь-яким налаштуванням, обслуговуванням або підтриманням роботи, а також у разі відсутності електричної напруги.

- При використанні алмазних відрізних дисків слідкуйте за тим, щоб стрілка напрямку обертання на алмазному відрізному диску відповідала напрямку обертання електроприлада (див. стрілку напрямку обертання на головці редуктора)
- Перевірте відповідність діаметру і товщини диска зазначеним технічним даним. Позначені на диску припустимі показники периферійної швидкості не повинні бути нижче 80 m/s. Диски слід зберігати згідно з інструкціями виробника.
- Якщо зона робіт віддалена від джерела живлення, використовуйте найкоротший подовжувач із відповідним перерізом.
- Перевірте правильність і надійність монтажу додаткової рукоятки.

ПУСК - ЗУПИНКА

Шліфувальна машина має захист від довільного пуску.

- Пуск: перемістіть вперед допоміжну кнопку 8 із нижньої сторони рукоятки, після цього натисніть головний важіль вимикача 7. В цьому випадку, у разі натискання важеля вимикача 7, натискається кнопка і 8, після чого важіль звільняється.
- Зупинка: відпустіть вимикач 7, а якщо він заблокований - спочатку натиснути, після чого відпустити.

У разі зниження напруги у мережі живлення (або моментного зникнення більш ніж на 0,5 s) й перебуванні вимикача у включеному положенні, після відновлення живлення інструмент не зможе увімкнутися. Для відновлення нормального стану у таких випадках, необхідно вимкнути і потім заново увімкнути перемикач живлення.

ЗАХИСНИЙ КОЖУХ



ЗАСТЕРЕЖЕННЯ: Запобіжник 3.1 для шліфувального диска, або запобіжник 3.2 для відрізного диска (відповідно, для шліфувального диска 2.1 або для відрізного диска 2.2) повинен бути завжди встановлений на інструменті!



ЗАСТЕРЕЖЕННЯ: Перед початком виконання наступних операцій, слід вийняти штепсель із розетки (відключити машину від мережі електроживлення).

Встановлення захисного кожуха (Рис.1)

- Поверніть чорне пластмасове кільце (Рис. 2а) так, щоб проріз S кільця збігся з прорізом, в який потрапляє зубець важеля L.
- Встановіть захисний кожух у неробочий стан (Рис.2а) так, щоб чотири фіксуючі зубця увійшли у пази гнізда підшипника (рис.2b).
- Натисніть затягувач важіль L (Рис.3), щоб вивільнити його.
- Натисніть захисний кожух вниз і поверніть його у потрібне робоче положення (Рис.4).
- Відпустіть важіль, що затягує L у стійке положення, під час якого захисний кожух застопориться (зубець затягувача важеля потрапить в один із пазів кожуха).

Встановлення кожуха у новому робочому положенні

- Натисніть затягувач важіль L (Рис.3), щоб вивільнити його.
- Поверніть захисний кожух у необхідне робоче положення.
- Відпустіть затягувач важіль L у стійке положення, під час якого захисний кожух застопориться (зубець затягувача важеля потрапить в один із пазів кожуха).

Демонтаж кожуха

- Натисніть затягувач важіль L (Рис.3), щоб вивільнити його.
- Поверніть захисний кожух у неробочий стан (Рис.2а) так, щоб чотири фіксуючі зубця увійшли у пази гнізда підшипника (рис.2b).
- Видаліть кожух.

ЗАМІНА ДИСКА



ЗАСТЕРЕЖЕННЯ: Перед початком виконання наступних операцій, слід вийняти штепсель із розетки (відключити машину від мережі електроживлення).

Зафіксувати шпindel 1 шліфувальної машини. Для всіх моделей це здійснюється натисканням кнопки 9, розташованої на редукторній коробці машини.



ЗАСТЕРЕЖЕННЯ: Не допускається натискання кнопки 9 під час обертання шпинделя.

- Натиснувши кнопку, обертайте шпindel у бік, зворотний позначенню на запобіжнику 3, до упору. Відкрутіть затискний фланець 5 спеціальним ключем. Встановіть новий диск на опорний фланець 4 написом вгору, а затискний фланець 5 затягніть спеціальним ключем. Використовуйте паперові підкладки-шайби, якщо диск ними укомплектований. Якщо диск має товщину до 6 mm, затискний фланець встановлюється гладкою стороною до диска, а якщо товщина диска більше 6 mm, затискний фланець 5 встановлюється до шпинделя так, щоб ніжка фланця увійшла в отвір диска. Після зміни диска, увімкніть машину з новим диском на одну хвилину, без навантаження. Диски, що вібрують або нерівномірно обертаються, слід негайно замінити.
- Закрутіть металеву щітку 10 до шпинделя 1 за допомогою гайкового ключа. Перевірте довжину різьби щітки, яка повинна бути до-

силь довгою, щоб відповідати різьбі шпинделя.

- Пластмасовий диск 11 встановлюється поверх опорного фланця 4, і стягується спеціальною гайкою 13, якою він укомплектований. Під час використання робочого диска з вставним фланцем, його слід безпосередньо монтувати до шпинделя, не використовуючи затискний фланець 5, за допомогою гайкового ключа. Диск із фланцем може бути виготовлений із просмоленої губки, пінополіуритана, з пластмасовою прокладкою, в яку вкрито фланець, а сам лист наждачного паперу прикріплений до пінополіуританового диска за допомогою "клеючої" системи. Після зміни диска ввімкніть на хвилину машину у робочий режим із новим диском, без навантаження. Диски, що вібрують або нерівномірно обертаються слід негайно змінити.

ДОДАТКОВА РУКОЯТКА (РИС.5)

Як правило, додаткова рукоятка 6 прикручується з лівого боку машини. Рукоятку можна закрутити і з правого боку для зручності оператора. Машини забезпечені третім гніздом для підключення додаткової рукоятки. Додаткова рукоятка цих моделей монтована на корпус за допомогою віброгасильних елементів, які захищають оператора і знижують шумність роботи.

ОБЕРТАННЯ КОРПУСУ

Корпус машини можна обертати на 90°. Таке обертання використовується, в основному, під час різання. Для цього функцію обертання корпусу слід налаштувати у спеціалізованому сервісі для ручних електроінструментів SPARKY.

РЕКОМЕНДАЦІЇ

Під час різання не зменшуйте натиск і не переміщуйте диск поперек розрізу. Застосовуйте помірний натиск, що відповідає оброблюваному матеріалу.

Дотримуйтесь напрямку різання. Машину слід направляти у бік, зворотний обертання диска. В іншому випадку існує небезпека неконтрольованого виходу диска за рамки розрізу. (Рис. 6)

Під час різання профілів і труб із прямокутним перетином, рекомендується починати різання з найменшої сторони.

Під час шліфування не притискайте маши-

ну до оброблюваної поверхні, рухайте диск плавно вперед-назад. Легкі метали слід обробляти спеціальними дисками. Найкращий результат під час грубого шліфування досягається при 30° - 40-градусному нахилі між диском й оброблюваною поверхнею (Рис.7). Під час грубого шліфування не допускається використання дисків для різання. Використання дисків товщиною більше 10 мм не рекомендується.

Обслуговування



ЗАСТЕРЕЖЕННЯ: Завжди вимикайте електроінструмент та виймайте штепсель із розетки перед тим, як розпочати будь-яку перевірку або обслуговування.

ЗАМІНА ЩІТКОК

Електроінструмент оснащений щітками, що вимикаються самостійно. У разі зношування, щітки слід одночасно замінити на нові оригінальні щітки у сервісі SPARKY (гарантійний та позагарантійний ремонт).

ЗАГАЛЬНА ПЕРЕВІРКА

Регулярно здійснюйте перевірку всіх кріплень: вони повинні бути міцно затягнуті. У випадку, якщо який-небудь гвинт відкручений, його слід негайно закрутити, щоб уникнути небезпеки.

У разі пошкодження кабелю живлення, його заміну повинен здійснити виробник або його сервісний фахівець, щоб уникнути небезпеки.

ДОГЛЯД

Для забезпечення безпечної роботи завжди підтримуйте у чистоті і машину, і її вентиляційні отвори.

Регулярно перевіряйте вентиляційні отвори електродвигуна або перемикачів на наявність пилу або сторонніх тіл. Використовуйте м'яку щітку та/або струмінь повітря для видалення пилу. Щоб уникнути пошкодження очей, під час догляду за пристроєм користуйтеся захисними окулярами.

Якщо корпус машини забруднений, протріть його м'якою вологою серветкою. Можна використовувати слабкий миючий засіб.



ЗАСТЕРЕЖЕННЯ: Не допускається застосування спирту, бензину та інших розчинників. Ніколи не користуйтеся їдкими препаратами для чищення пластмасових частин.



ЗАСТЕРЕЖЕННЯ: Не допускається попадання і контакт пристрою з водою.

ВАЖЛИВО! З метою забезпечення безпеки роботи електроінструменту і його надійності, всі ремонтні роботи, обслуговування і регулювання пристрою (враховуючи перевірку і заміну щіток) слід проводити у спеціалізованих сервісах SPARKY, використовуючи виключно оригінальні запасні частини.

Гарантія

Гарантійний термін електроприладів SPARKY вказаний в гарантійній карті.

Несправності, що з'явилися в результаті природного зношування, перевантаження або неправильного користування, не входять до гарантійних зобов'язань.

Несправності, що з'явилися внаслідок застосування неякісних матеріалів та / або через виробничі помилок, усуваються без додаткової оплати шляхом заміни або ремонту.

Рекламації дефектного електроприладу SPARKY приймаються у тому випадку, якщо прилад буде повернуто постачальнику, або спеціалізованому гарантійного сервісу в не розібраному (початковому) стані.

Примітки

Уважно прочитайте всю інструкцію з експлуатації, перед тим, як приступити до використання виробу.

Виробник зберігає за собою право вносити у свої вироби поліпшення і зміни, а також змінювати специфікації без попередження.

Специфікації для різних країн можуть відрізнятися.

Съдържание

Въведение	114
Технически данни	116
Общи указания за безопасност при работа с електроинструменти	117
Допълнителни указания за безопасност при работа с ъглошлифовъчни машини	119
Запознаване с електроинструмента	A/123
Указания за работа	B/123
Поддръжка	126
Гаранция	127

РАЗОПАКОВАНЕ

В съответствие с общоприетите технологии на едросерийно производство е малко вероятно Вашият електроинструмент да бъде неизправен или някоя от частите му да липсва. Ако забележите, че нещо не е наред, не работете с електроинструмента, докато повредената част не бъде заменена или неизправността не бъде отстранена. Неспазването на тази препоръка може да доведе до сериозна трудова злополука.

СГЛОБЯВАНЕ

Ъглошлифовъчната машина се доставя опакована и сглобена, с изключение на предпазителя и допълнителната ръкохватка.

Въведение

Новопридобитият от Вас електроинструмент SPARKY ще надхвърли Вашите очаквания. Той е произведен в съответствие с високите стандарти на качеството на SPARKY, отговарящи на строгите изисквания на потребителя. Лесен за обслужване и безопасен при експлоатация, при правилна употреба този електроинструмент ще Ви служи надеждно дълги години.

ПРЕДУПРЕЖДЕНИЕ!



Внимателно прочетете цялата инструкция за използване преди да използвате новопридобития си електроинструмент SPARKY. Обърнете специално внимание на текстовете, които започват с думата “Предупреждение”. Вашият електроинструмент SPARKY притежава много качества, които ще улеснят Вашата работа. При разработката на този електроинструмент най-голямо внимание е обърнато на безопасността, експлоатационните качества и надеждността, които го правят лесен за поддръжка и експлоатация.



Не изхвърляйте електроинструменти заедно с битовите отпадъци!

Отпадъците от електрически изделия не трябва да се събират заедно с битовите отпадъци. Моля, рециклирайте на местата, предназначени за това. Свържете се с местните власти или представител за консултация относно рециклирането.

ОПАЗВАНЕ НА ОКОЛНАТА СРЕДА



С оглед опазване на околната среда електроинструментът, принадлежностите и опаковката трябва да бъдат подложени на подходяща преработка за повторно използване на съдържащите се в тях суровини.

За облекчаване на рециклирането детайлите, произведени от изкуствени материали, са обозначени по съответния начин.

ОПИСАНИЕ НА СИМВОЛИТЕ

Върху табелката с данни на електроинструмента са означени специални символи. Те предоставят важна информация за изделието или инструкции за неговото ползване.



Двойна изолация за допълнителна защита.



Присъединителна резба на вретеното: M14



Съответства на приложимите европейски директиви.



Съответства на изискванията на регламентите на Митническия съюз.



Запознайте се с инструкцията за използване.



Винаги носете защитни очила.

YYYY-Www Период на производство, където променливи символи са:
YYYY - година на производство,
ww - поредна календарна седмица.

M, MA, MB, MBA Тъглошлифовъчна машина.

Технически данни

Модел	M2000 HD MB2000P HD	MA2000 HD MBA2000P HD	M2200 HD MB2200P HD	MA2200 HD MBA2200P HD	M2400 HD MB2400P HD	MA2400 HD MBA2400P HD	MB2600P HD	MBA2600P HD
Консумирана мощност	2000 W	2000 W	2200 W	2200 W	2400 W	2400 W	2600 W	2600 W
Обявена скорост на въртене	8500 min ⁻¹	6600 min ⁻¹	8500 min ⁻¹	6600 min ⁻¹	8500 min ⁻¹	6600 min ⁻¹	8500 min ⁻¹	6600 min ⁻¹
Присъединителна резба на вретеното	M14	M14	M14	M14	M14	M14	M14	M14
Дължина на резбата на вретеното	20 mm	20 mm	20 mm	20 mm	20 mm	20 mm	20 mm	20 mm
Вътрешен диаметър на шлифовъчния диск	22,23	22,23	22,23	22,23	22,23	22,23	22,23	22,23
Максимален диаметър на шлифовъчния диск	180 mm	230 mm	180 mm	230 mm	180 mm	230 mm	180 mm	230 mm
Максимална дебелина на шлифовъчния диск	10 mm	10 mm	10 mm	10 mm	10 mm	10 mm	10 mm	10 mm
Тегло (EPTA) процедура 01/2014)	5,4 kg	5,6 kg	5,3 kg	5,5 kg	6,0 kg	6,2 kg	6,1 kg	6,3 kg
Клас на защита (EN 60745-1)	II	II	II	II	II	II	II	II

ИНФОРМАЦИЯ ЗА ШУМ И ВИБРАЦИИ

Стойностите са измерени съгласно EN 60745.

Излъчване на шум

A-претеглено ниво на звуково налягане L _{ра}	91 dB(A)	91 dB(A)	92 dB(A)	92 dB(A)	92 dB(A)	92 dB(A)	92 dB(A)	92 dB(A)
Неопределеност K _{ра}	3,0 dB	3,0 dB	3,0 dB	3,0 dB	3,0 dB	3,0 dB	3,0 dB	3,0 dB
A-претеглено ниво на звукова мощност L _{ва}	102 dB(A)	102 dB(A)	103 dB(A)	103 dB(A)	103 dB(A)	103 dB(A)	103 dB(A)	103 dB(A)
Неопределеност K _{ва}	3,0 dB	3,0 dB	3,0 dB	3,0 dB	3,0 dB	3,0 dB	3,0 dB	3,0 dB

Използвайте средства за защита от шума!

Излъчване на вибрации *

Обща стойност на вибрациите (векторна сума по трите оси), определена съгласно EN 60745:

Шлифоване на повърхнини:								
Стойност на излъчените вибрации a _{AG}	5,1 m/s ²	5,1 m/s ²	5,0 m/s ²	5,0 m/s ²	4,9 m/s ²	4,9 m/s ²	5,0 m/s ²	5,0 m/s ²
Неопределеност K _{AG}	1,5 m/s ²	1,5 m/s ²	1,5 m/s ²	1,5 m/s ²	1,5 m/s ²	1,5 m/s ²	1,5 m/s ²	1,5 m/s ²
Шлифоване с шкурка								
Стойност на излъчените вибрации a _{DS}	5,4 m/s ²	5,4 m/s ²	5,4 m/s ²	5,4 m/s ²	5,4 m/s ²	5,4 m/s ²	5,4 m/s ²	5,4 m/s ²
Неопределеност K _{DS}	2,0 m/s ²	2,0 m/s ²	1,5 m/s ²	1,5 m/s ²	1,5 m/s ²	1,5 m/s ²	2,0 m/s ²	2,0 m/s ²

* Вибрациите са определени съгласно т. 6.2.7 на EN 60745.

Посоченото в тази инструкция ниво на вибрации е измерено в съответствие с методиката за изпитване, указана в EN 60745 и може да се използва за сравняване на електроинструменти. Нивото на вибрации може да се използва за предварителна оценка на степента на въздействие.

Декларираното ниво на вибрации се отнася за основното предназначение на електроинструмента. В случаите, при които електроинструментът се използва за друго предназначение, с други принадлежности или ако електроинструментът не се поддържа добре, нивото на вибрации може да се различава от посоченото. В тези случаи нивото на въздействие може значително да нарасне в границите на общия период на работа.

При оценката на нивото на въздействие на вибрации трябва също да се отчита времето, през което електроинструментът е изключен или е включен, но не се използва. Това може значително да понижи нивото на въздействие в границите на общия период на работа.

Поддържайте електроинструмента и принадлежностите в добро състояние. Пазете ръцете си топли по време на работа - това ще намали вредното въздействие при работа с повишени вибрации.

При други операции, например рязане с абразивен диск или почистване с телени четки, излъчените вибрации могат да имат други стойности.

Прахът, отделян при обработването на материали като оловосъдържащи бои, някои видове дървесина, минерали и метали, може да бъде опасен за здравето. Допирът или вдишването на праха може да предизвика алергични реакции и/или заболявания на дихателните пътища на оператора или на намиращи се в близост лица.

Някои видове прах, например от дъб или бук, се считат за канцерогенни, особено в комбинация с добавки за обработка на дървесина (хромат, консерванти). Материал, който съдържа азбест, трябва да се обработва само от специалисти.

- Когато това е възможно, използвайте прахоотвеждане.
- Осигурете добра вентилация на работното място.
- Препоръчва се използването на защитна маска за прах с филтър клас P2.

Спазвайте действащите във вашата страна разпоредби за обработване на съответните материали.

Всички модели със символ A в типовото означение показват максимален диаметър на работния инструмент $\varnothing 230\text{mm}$. При липса на този символ максимален диаметър на работния инструмент е $\varnothing 180\text{mm}$.

Всички модели с индекс B имат вградено електронно устройство, осигуряващо плавно развъртане до номиналните обороти и ограничаване на пусковия ток до 16 A.

Всички модели с индекс P в типовото означение притежават защита от самопускане при моментно отпадане на напрежението или при изключване от щепсела за повече от 0,5 s електроинструментът остава изключен и може да бъде задействан само след изключване и повторно включване на пусковия прекъсвач. При липса на този индекс пусковият прекъсвач няма застопоряване във включено положение. (Функционирането на тази защита е описано в раздел "Указания за работа").

Общи указания за безопасност при работа с електроинструменти



ПРЕДУПРЕЖДЕНИЕ! Четете всички предупреждения и указания за безопасност. Неспазването на предупрежденията и указанията за безопасност може да предизвика поражение от електрически ток, пожар и/или сериозно нараняване.

Запазете всички предупреждения и указания за бъдещо ползване.

Терминът "електроинструмент" във всички описани по-долу предупреждения се отнася до вашия електроинструмент, захранван

от мрежата (с шнур) и/или електроинструмент, захранван от акумулаторна батерия (без шнур).

1) Безопасност на работното място

- а) Поддържайте работното място чисто и добре осветено. Безпорядъкът и недостатъчното осветление са предпоставка за трудови злополуки.
- б) Не работете с електроинструменти в експлозивни атмосфери при наличие на запалими течности, газове или прах. Електроинструментите образуват искри, които могат да възпламенят праха или парите.
- в) Дръжте децата и страничните лица на разстояние, когато работите с електроинструмент. Разсейването може да доведе до загуба на контрол от Ваша страна.

2) Електрическа безопасност

- а) Щепселите на електроинструментите трябва да съответстват на контактите. Никога не променяйте щепсела

по какъвто и да било начин. Не използвайте каквито и да са адаптерни щепсели за електроинструменти със защитно заземяване. Употребата на непроменени щепсели и съответстващите им контакти намалява риска за поражение от електрически ток.

- b) Избягвайте допир на тялото до земя или до заземени повърхности, такива като тръби, радиатори, кухненски печки и хладилници. Ако тялото ви е заземено, съществува повишен риск от поражение от електрически ток.
- c) Не излагайте електроинструментите на дъжд или във влажна среда. Проникването на вода в електроинструмента повишава риска от поражение от електрически ток.
- d) Използвайте шнура по предназначение. Никога не използвайте шнура за носене на електроинструмента, опъване или изваждане на щепсела от контактното гнездо. Дръжте шнура далече от топлина, масло, остри ръбове или движещи се части. Увердени или оплетени шнурове повишават риска за поражение от електрически ток.
- e) При работа с електроинструмента на открито, използвайте удължител, подходящ за работа на открито. Използването на удължител, подходящ за работа на открито, намалява риска от поражение от електрически ток.
- f) Ако работата с електроинструмента във влажна среда е неизбежна, използвайте предпазно устройство, задействано от остатъчен ток, за прекъсване на захранването. Използването на предпазно устройство намалява риска от поражение от електрически ток.

3) Лична безопасност

- a) Бъдете бдителни, работете с повишено внимание и проявявайте благоразумие, когато работите с електроинструмент. Не използвайте електроинструмента, когато сте уморени или под влияние на наркотици, алкохол или медикаменти. Момент на невнимание при работа с електроинструмент може да предизвика сериозна трудова злополука.
- b) Използвайте лични предпазни средства. Носете винаги средства за

защита на очите. Лични предпазни средства, като маска против прах, неплъзгащи се безопасни обувки, защитен шлем или средства за защита на слуха, използвани при конкретните условия, намаляват риска от трудови злополуки.

- c) Избягвайте неволно пускане. Убедете се, че прекъсвачът е в изключено положение преди включване към източник на захранване и/или акумулаторна батерия, преди да го вземете или пренасяте. Носенето на електроинструмент с пръст върху прекъсвача или свързването към източник на захранване на електроинструмент с прекъсвач във включено положение е предпоставка за трудова злополука.
 - d) Отстранете всеки ключ за затягане или гаечен ключ преди включване на електроинструмента. Ключ за затягане или гаечен ключ, прикрепен към въртяща се част на електроинструмента, може да предизвика трудова злополука.
 - e) Не се пресягайте. Поддържайте правилен стоеж и равновесие през цялото време. Това позволява по-добро управление на електроинструмента при неочаквани ситуации.
 - f) Носете подходящо работно облекло. Не носете широки дрехи или бижута. Дръжте косите си, дрехите и ръкавиците далеч от движещи се части. Широки дрехи, бижута или дълги коси могат да се захванат от движещи се части.
 - g) Ако електроинструментът е снабден с приспособления за засмукване и улавяне на прах, убедете се, че те са свързани и правилно използвани. Използването на тези устройства може да намали свързаните с прах опасности.
- ### 4) Използване и грижи за електроинструментите
- a) Не претоварвайте електроинструмента. Използвайте правилно избрания електроинструмент според приложението. Правилно избраният електроинструмент работи по-добре и по-безопасно при обявения режим на работа, за който е проектиран.
 - b) Не използвайте електроинструмента, ако прекъсвачът не превключва във включено и изключено положение.

Всеки електроинструмент, който не може да бъде управляван с прекъсвач, е опасен и трябва да бъде ремонтиран.

- c) Разединете щепсела от захранващата мрежа преди да извършите всякакви настройки, преди замяна на принадлежност или преди да приберете електроинструмента за съхранение. Тези предпазни мерки за безопасност намаляват риска от неволно пускане на електроинструмента.
 - d) Съхранявайте неизползваните електроинструменти на места, недостъпни за деца и не позволявайте на обслужващи лица, които не познават електроинструмента или не са запознати с тези инструкции, да работят с него. Електроинструментите са опасни в ръцете на необучени потребители.
 - e) Поддържайте електроинструментите. Проверявайте движещите се части дали функционират нормално и се движат свободно, целостта и изправността на частите, както и за всякакво друго обстоятелство, което може неблагоприятно да повлияе на работата на електроинструмента. Ако е повреден, електроинструментът трябва да бъде ремонтиран преди по-нататъшно използване. Много злополуки са причинени от лошо поддържани електроинструменти.
 - f) Поддържайте режещите инструменти остри и чисти. Правилно поддържаните режещи инструменти с остри режещи ръбове е по-малко вероятно да блокират и са по-лесни за управление.
 - g) Използвайте електроинструмента, принадлежностите и частите на инструмента и т.н. в съответствие с тези инструкции и по начин, предвиден за конкретния тип електроинструмент, като вземате предвид работните условия и работата, която трябва да се извършва. Използването на електроинструмента за работа, различна от тази, за която е проектиран, може да предизвика опасна ситуация.
- 5) Обслужване
- a) Поддържайте вашия електроинструмент при квалифициран специалист по ремонта, като използвате само оригиналните резервни части. Това осигурява запазването на безопасността на електроинструмента.

Допълнителни указания при работа с ъглошлифовъчни машини

Общи указания за безопасност при шлифование с абразивен диск, шлифование с шкурка, почистване с телена четка и рязане с абразивен диск:

- a) Този електроинструмент може да се използва като шлифовъчна машина с абразивен диск, с шкурка, с телена четка и машина за рязане с абразивен диск. Прочетете всички указания за безопасност, инструкции, изображения и данни, които сте получили с машината. Неспазването на указанията за безопасност може да предизвика поражение от електрически ток, пожар и/или сериозно нараняване.
- b) Този електроинструмент не е подходящ за полиране. Операции, за които електроинструментът не е предназначен, могат да създадат опасност и да предизвикат нараняване.
- c) Не използвайте принадлежности, които не са разрешени и препоръчани от производителя специално за този електроинструмент. Фактът че можете да закрепите принадлежността на Вашия електроинструмент, не гарантира безопасна употреба.
- d) Номиналните обороти на принадлежността трябва да са най-малко равни на посочените върху електроинструмента максимални обороти. Принадлежности, които се въртят със скорост, по-висока от тяхната номинална скорост, могат да се счупят и парчетата им да се разлетят.
- e) Външният диаметър и дебелината на работния инструмент трябва да бъдат в границите на указаните размери на Вашия електроинструмент. Принадлежности с неподходящи размери не могат да бъдат защитени или управлявани добре.
- f) Резбата на работните инструменти, които се монтират, трябва да съответства на резбата на вретеното на шлифовъчната машина. За работни инструменти, монтирани чрез фланци, присъединителният отвор на работния инструмент

трябва да пасне на фиксиращия диаметър на фланеца. *Работни инструменти, които не пасват на монтажната метална част на електроинструмента, се въртят неуравновесено, вибрират прекомерно и може да предизвикат загуба на контрол.*

- g) **Не използвайте повредени принадлежности.** Преди всяка употреба проверявайте принадлежностите - шлифовъчните дискове за нацърбване и пукнатини, еластичните дискове за пукнатини, разкъсване или силно износване, телените четки за разхлабени или начупени нишки. Ако изтървете електроинструмента или принадлежността, проверете за повреда или монтирайте неповредена принадлежност. След като принадлежността е проверена и монтирана, застанете заедно със страничните лица извън равнината на въртене на принадлежността и оставете електроинструмента да работи с максимални обороти на празен ход в продължение на една минута. *Обикновено това време е достатъчно за повредените принадлежности да се счупят.*
- h) **Носете лични предпазни средства.** В зависимост от конкретния случай, използвайте предпазен щит за лицето или защитни очила. Ако е необходимо, използвайте прахозащитна маска, средства за защита за слуха, защитни ръкавици или специална престилка, която да задържа малките частици от шлифовъчната принадлежност или обработвания детайл. *Средствата за защита на очите трябва да предпазват от възникналите при различните операции хвърчащи отломки. Прахозащитните и газозащитните маски трябва да филтрират отделяните при работа частици. Продължителното излагане на силен шум може да предизвика загуба на слуха.*
- i) **Дръжте страничните лица на безопасно разстояние от зоната на работа.** Всяко лице, намиращо се в зоната на работа, трябва да носи лични предпазни средства. *Възможно е хвърчащи отломки от обработвания детайл или от счупена принадлежност да предизвикат нараняване и извън границите на непосредствената зона на работа.*
- j) **Дръжте електроинструмента само**

за изолираните повърхности за захващане когато извършвате операция, при която режещата принадлежност може да допре до скрита ел.инсталация или до собствения шнур. *Допирът на режещата принадлежност до проводник под напрежение ще постави откритите метални части на електроинструмента под напрежение и операторът ще получи токов удар.*

- k) **Дръжте захранващия кабел извън обсега на действие на въртящата се принадлежност.** Ако изгубите контрол над електроинструмента, захранващият кабел може да бъде срянзан или да увлече дланта или ръката Ви в обсега на въртящия се инструмент.
- l) **Никога не оставяйте електроинструмента преди принадлежността да е напълно спряла да се върти.** *Въртящата се принадлежност може да захване обработвания материал и да загубите контрол над електроинструмента.*
- m) **Не оставяйте електроинструмента да работи, докато го носите.** *Случаен допир на въртящата се принадлежност до обектото Ви може го захване и тя да нарани тялото Ви.*
- n) **Почиствайте редовно вентилационните отвори на електроинструмента.** *Вентилаторът на електродвигателя засмуква прах в корпуса, а прекомерното натрупване на метален прах може да предизвика опасност за поражение от електрически ток.*
- o) **Не използвайте електроинструмента в близост до горими материали.** *Искрите могат да възпламенят тези материали.*
- p) **Не използвайте принадлежности, работата с които изисква течни охлаждащи средства.** *Филтрянето на вода или други течни охлаждащи средства може да доведе до поражение или удар от електрически ток.*
- **Електроинструментът трябва да се използва само по предназначение.** Всякаква друга употреба, различаваща се от описаната в тази инструкция, ще се счита за неправилна употреба. *Отговорността за всякаква повреда или нараняване, произтичащи от неправилна употреба, ще се носи от потребителя, а не от производителя.*
 - **Производителят не носи отговорност**

за извършени от потребителя промени върху електроинструмента или за повреди, предизвикани от подобни промени.

- При работа в запрашена среда вентилационните отвори на машината трябва да се поддържат чисти. Ако се наложи да бъдат почиствани от прах, първо изключете захранването и използвайте неметални предмети за почистването на праха, като внимавате да не повредите вътрешните детайли на машината. *Електроинструментът ще прегрее при намалено охлаждане в следствие на запрашените вентилационни отвори.*
- Електроинструментът е предназначен за работа в помещения и зони с нормална пожарна опасност съгласно "НАРЕДБА № 13-1971 за строително-технически правила и норми за осигуряване на безопасност при пожар". Не се допуска използването му във взривоопасна и пожароопасна среда, при температура на околния въздух над 40°C, в особено влажна среда, при наличие на валежи и в химически активна среда. Работното място трябва да е добре осветено.

Други указания за безопасност за всички операции

Отскок (обратен удар) и свързаните с него указания за безопасност

Отскок е внезапната реакция вследствие на заклиняване или блокиране на принадлежност, например шлифовъчен диск, еластичен диск, телена четка и т.н. Заклиняването или блокирането води до внезапно спиране на въртенето на принадлежността, което от своя страна изтласква неконтролируемия електроинструмент в посока обратна на посоката на въртене на работния инструмент в точката на заклиняване.

Например ако шлифовъчният диск се заклини или блокира в детайла, ръбът на шлифовъчния диск, който е врязан в детайла, засяда и вследствие на това дискът може да се счупи или да предизвика отскок. Шлифовъчният диск отскача към или от оператора, в зависимост от посоката на въртене на диска в мястото на блокиране. При тези обстоятелства е възможно шлифовъчните дискове да се счупят.

Отскокът е резултат от неправилна употреба и/или неправилна експлоатация или условия

на работа с електроинструмента и може да се предотврати чрез описаните по-долу подходящи предпазни мерки.

- а) Дръжте здраво електроинструмента, вземете подходяща стойка и поставете ръцете си така, че да можете да овладеете силата на отскока. Винаги използвайте допълнителната ръкохватка, ако електроинструментът е снабден с такава, за да имате възможно най-голям контрол над силата на отскока или реактивния момент при пускане. *Чрез подходящи предпазни мерки операторът може да овладее реактивния момент и отскока.*
 - б) Никога не поставяйте ръцете си в близост до въртящата се принадлежност. *Принадлежността може да отскочи върху ръката Ви.*
 - в) Не заставяйте в областта, в която електроинструментът би се придвижил при отскок. *Отскокът задвижва електроинструмента в посока, противоположна на движението на шлифовъчния диск, в мястото на блокиране.*
 - г) Когато обработвате ъгли, остри ръбове и др., работете с повишено внимание. Не позволявайте принадлежността да отскача или да блокира в детайла. *При обработката на ъгли и остри ръбове има вероятност въртящата се принадлежност да се заклини, с което да предизвика загуба на контрол или отскок.*
 - е) Не използвайте верижни или циркулярни дискове за обработване на дървесина. *Тези принадлежности често предизвикват отскок или загуба на контрол над електроинструмента.*
- Фиксирайте обработвания детайл в менгеме или по друг подходящ начин.

Специфични указания за безопасност при шлифование и рязане с абразивен диск

- а) Използвайте само препоръчаните за електроинструмента видове дискове с предвиден за тях предпазител. *Дискове, за които електроинструментът не е проектиран, не могат да бъдат подходящо защитени и не са безопасни.*
- б) Шлифовъчната повърхнина на дискове с изпъкнал център, трябва да бъде монтирана под равнината на борда на

предпазителя. *Неправилно монтиран шлифовъчен диск, който се издава над равнината на борда на предпазителя, не може да бъде адекватно защитен.*

- c) Предпазителят трябва да се закрепва надеждно към електроинструмента и да е разположен така, че да осигурява максимална безопасност, т.е. възможно най-малка част от диска да е открита към оператора. Предпазителят трябва да предпазва оператора от отломки, случаен контакт с диска и искри, които биха могли да подпалят облеклото.
- d) Дисковете трябва да се използват само за препоръчаните приложения. Например никога не шлифовайте със страничната повърхност на отрезен диск. *Отрезните дискове са предназначени за отнемане на материал с ръба на диска. Упражняването на страничен натиск върху такъв диск може да го строши.*
- e) **Винаги използвайте изправни затягащи фланци с подходящ размер и форма за избрания диск.** *Правилно избраните затягащи фланци закрепват диска и намаляват опасността от счупването му. Затягащите фланци за отрезни дискове могат да се различават от затягащите фланци за друг вид дискове.*
- f) **Не използвайте износени дискове от по-големи електроинструменти.** *Дискът за по-голям електроинструмент не е подходящ за по-високите обороти на по-малък електроинструмент и може да се счули.*
- **Винаги съблюдавайте посоката на въртене на диска.** *Реактивната сила е обратна на посоката на въртене в мястото на шлифование или рязане и е предпоставка за загубване на контрол върху електроинструмента.*
- **Винаги дръжте машината, така че искрите и прахът от шлифването да се разпръскват настрани от тялото.** *Електроинструментите образуват искри, които могат да обгорят облеклото или незащитени части на тялото.*
- **Не се допуска шлифование и рязане на прясно боядисани метални конструкции преди изсъхване на боята.** *Съществува опасност от запалване на неизсъхналата боя.*
- **Не се допуска рязане на горими ма-**

териали (дърво, пластмаса и др.) и панелни конструкции тип “сандвич” с горим пълнеж. *Съществува опасност от възникване на пожар.*

- **Не се допуска шлифование и рязане на съоръжения, работещи под налягане.** *Съществува опасност от възникване на експлозия.*
- **Не се допуска шлифование и рязане на резервоари, тръбопроводи, апарати и др., в които има или е имало горими или лесно запалими вещества и материали, без да се вземат специални пожаро- и взривобезопасни мерки.** *Съществува опасност от възникване на пожар или експлозия.*

Специфични указания за безопасност при рязане с абразивен диск

- a) **Избягвайте заклиняване на отрезния диск или прилагане на прекомерен натиск.** *Не се опитвайте да извършвате твърде дълбоки разрези. Претоварването на отрезния диск увеличава неговото износване и податливостта към усукване или блокиране, а оттам и възможността за отскок или счупване на диска.*
- b) **Не заставайте в областта пред и зад въртящия се диск.** *Ако отрезният диск в мястото на рязане, се отдалечава от Вашето тяло, евентуален отскок би тласнал електроинструментът с въртящия се диск право към Вас.*
- c) **Ако отрезният диск се е заклинил или ако по някаква причина прекъснете работата, изключете електроинструмента и го дръжте неподвижен докато дискът окончателно спре да се върти.** *Никога не се опитвайте да извадите още въртящия се диск от разреза, в противен случай ще предизвикате отскок. Открийте и отстранете причината за заклиняването.*
- d) **Никога не включвайте повторно електроинструмента, докато отрезният диск се намира още в детайла.** *Оставете отрезния диск да достигне пълните обороти преди да го вкарате внимателно в разреза. В противен случай дискът може да заседне, да се изплъзне от детайла или да отскочи.*
- e) **Осигурете с допълнителни опори плочите или детайлите с големи размери, за да намалите риска от заклиняване и**

отскок. Детайлите с големи размери провисват от собственото си тегло. Детайлът трябва да се подпира от двете страни на диска, както в близост до разреза така и в краищата на детайла.

- f) **Бъдете особено предпазливи при прорязване на канали в съществуващи стени или други зазидани повърхнини.** Издаващият се напред диск може да среже газопроводни или водопроводни тръби, електрическа инсталация или други обекти, което да предизвика отскок.

Специфични указания за безопасност при шлифване с шкурка

- a) **Не използвайте твърде големи листови шкурка, спазвайте указанията на производителя за размерите на шкурката.** Лист шкурка, който се подава извън еластичния диск, е подложен на опасност от разкъсване и може да предизвика блокиране, скъсване на шкурката или отскок.

Специфични указания за безопасност при работа с телени четки:

- a) **Имайте предвид, че и при нормална работа от телената четка падат телени нишки. Не претоварвайте нишките като притискате четката твърде силно.** Излитащите телени нишки лесно проникват през тънко облекло и/или през кожата.
- b) **Ако при работа с телена четка се препоръчва използването на предпазител, не допускате предпазителят и дисковата или чашкообразна телена четка да се допират. Диските или чашкообразни телени четки могат да увеличат диаметъра си под въздействието на натиска при работа и центрострежителните сили.**

Запознаване с електроинструмента

Преди да започнете да работите с електроинструмента се запознайте с всички оперативни особености и условия за безопасност. Използвайте електроинструмента и принадлежностите му само по предназначение. Всяко друго приложение е изрично забранено.

1. Вретено
- 2.1. Диск за шлифване (Да се използва само с предпазител за шлифовъчен диск!)*
- 2.2. Диск за рязане (Да се използва само с предпазител за отрезен диск!)*
- 3.1. Предпазител за шлифовъчен диск
- 3.2. Предпазител за отрезен диск*
4. Упорен фланец
5. Затягащ фланец
6. Допълнителна ръкохватка
7. Прекъсвач
8. Бутон за застопоряване на прекъсвача
9. Бутон за застопоряване на вретеното

ПРИНАДЛЕЖНОСТИ, КОИТО МОГАТ ДА БЪДАТ ИЗПОЛЗВАНИ С ТОЗИ ЕЛЕКТРОИНСТРУМЕНТ

10. Метална четка*
11. Пластмасов (гумен) диск*
12. Лист от шкурка*
13. Специална гайка*

* Изобразените на фигурите или описани в инструкцията за използване допълнителни приспособления не са включени в комплектацията.

Указания за работа

Тези електроинструменти се захранват само с еднофазно променливо напрежение. Те са с двойна изолация съгласно EN 60745 и IEC 60745-1 и може да се присъединяват към контакти без защитни клеми. Радиосмущенията съответстват на Директивата за електромагнитна съвместимост.

Този електроинструмент е предназначен за рязане, шлифване и четкане предимно на метали, без използването на вода.

ПРЕДИ ДА ЗАПОЧНЕТЕ РАБОТА

- Машината може да е с фабрично монтиран предпазител. Уверете се, че предпазителят е монтиран правилно и надеждно фиксиран преди първата и всяка следваща употреба.
- Машината може да е с фабрично монтиран диск. Уверете се, че дискът е монтиран правилно и надеждно затегнат преди първата и всяка следваща употреба.
- Проверете дали напрежението на електри-

ческата мрежа отговаря на това, означено върху табелката с технически данни на електроинструмента.

- Проверете в какво положение се намира прекъсвачът. Електроинструментът трябва да се присъединява и отделя от захранващата мрежа само при изключен прекъсвач. Ако поставите щепсела в контакт докато прекъсвачът е във включено положение, електроинструментът веднага ще се задейства, което е предпоставка за злополука.
- Убедете се в изправността на захранващия кабел и щепсел. Ако захранващият кабел е повреден, замяната трябва да се извърши от производителя или от негов сервизен специалист, за да се избегнат опасностите от замяната.



ПРЕДУПРЕЖДЕНИЕ: Винаги изключвайте електроинструмента и изваж-дайте щепсела от контакта преди извършване на всякава настройка, обслужване или поддръжка или при отпадане на захранващото напрежение.

- При монтиране на диамантени отрезни дискове, обърнете внимание посоката на стрелката, указваща посоката на въртене върху диамантения отрезен диск, да съвпада с посоката на въртене на машината (виж стрелката, указваща посоката на въртене върху редукторната кутия).
- Проверете дали диаметърът и дебелината на диска не са по-големи от указаните в техническите данни. Означената върху диска допустима периферна скорост да не е по-ниска от 80 m/s. Дисковете трябва да се съхраняват съгласно инструкциите на производителя им.
- Ако зоната на работа е отдалечена от източника на захранване, използвайте колкото е възможно по-къс удължител с подходящо сечение.
- Проверете дали допълнителната ръкохватка е правилно поставена и надеждно затегната.

ПУСКАНЕ - СПИРАНЕ

Шлифовъчната машина е осигурена срещу неволно включване.

- Пускане: първоначално се избутва напред спомагателният бутон 8 от долната страна на ръкохватката, а след това се натиска главният лост на прекъсвача 7. За продължителна работа прекъсвачът 7 може

да бъде застопорен (само за моделите с индекс P). В този случай при натиснат лост на прекъсвача 7 се натиска бутон 8, след което лостът се отпуска.

- Спиране: прекъсвачът 7 се отпуска, а когато е застопорен - първо се натиска и след това се отпуска.

В случай на прекъсване на напрежението на захранващата мрежа (или на моментното му отпадане за време $t > 0,5s$), когато пусковият прекъсвач на инструмента е фиксиран във включено положение, при възстановяване захранването от мрежата, електроинструментът трябва да не работи (да не тръгва). За да се възстанови нормалното функциониране на електроинструмента в този случай е необходимо пусковият прекъсвач да се изключи и след това отново да се включи.

ПРЕДПАЗИТЕЛ НА ДИСКА



ПРЕДУПРЕЖДЕНИЕ: Предпазителят 3.1 за шлифовъчен диск или предпазителят 3.2 за отрезен диск (съответно за шлифовъчен диск 2.1 или за отрезен диск 2.2) трябва винаги да бъде монтиран на машината!



ПРЕДУПРЕЖДЕНИЕ: Преди извършване на следващите операции, машината трябва да бъде изключена от мрежовото захранване чрез щепсела.

Поставяне на предпазителя (фиг.1)

- Завъртете пластмасовия черен пръстен (фиг. 2a), така че процепът S на пръстена да съвпадне с изреза, където попада зъбът от лост заключващ L.

- Поставете предпазителя в неработно положение (фиг.2a), така че четирите зъба да съвпадат с четирите изреза в лагерното гнездо (фиг.2b).

- Натиснете лост заключващ L (фиг.3) до освобождаване.

- Натиснете предпазителя надолу и го завъртете в желаното работно положение (фиг.4).

- Отпуснете лост заключващ L до стабилно положение, в което предпазителят да се застопори (зъбът на лост заключващ попада в един от изрезите на предпазителя).

Завъртане на предпазителя в ново работно положение

- Натиснете лост заключващ L (фиг.3) до освобождаване.
- Завъртете предпазителя в желаното работно положение.
- Отпуснете лост заключващ L до стабилно положение, в което предпазителят да се застопори (зъбът на лост заключващ попада в един от изрезите на предпазителя).

Сваляне на предпазителя

- Натиснете лост заключващ L (фиг.3) до освобождаване.
- Завъртете предпазителя в неработно положение (фиг.2a), така че четирите зъба да съвпадат с четирите изреза в лагерното гнездо (фиг.2b).
- Извадете предпазителя.

СМЯНА НА ДИСКА



ПРЕДУПРЕЖДЕНИЕ: Преди извършване на следващите операции, машината трябва да бъде изключена от мрежовото захранване чрез щепсела.

Вретеното 1 на шлифовъчната машина се фиксира. За всички модели това се извършва чрез натискане на бутона 9, намиращ се върху редукторната кутия на машината.



ПРЕДУПРЕЖДЕНИЕ: Не се допуска натискане на бутона 9 докато вретеното се върти.

- При натиснат бутон се завърта вретеното в посока, обратна на означената върху предпазителя 3, до неговото отчетливо потъване. Затягащият фланец 5 се отвива със специален ключ. Новият диск се поставя върху упорния фланец 4 с надписите нагоре, а затягащият фланец 5 се завива със специалния ключ. Използвайте хартиените подложни шайби, ако дискът е комплектован с тях. Ако дискът е с дебелина до 6 mm, затягащият фланец се поставя с плоската страна към диска, а ако дебелината на диска е по-голяма от 6 mm, затягащият фланец 5 се поставя към вретеното така, че стъпалото на затягащия фланец да влезе в отвора на диска. След смяна на диска пуснете машината да работи с новия диск около една минута без натоварване. Вибриращите или

неравномерно въртящи се дискове трябва незабавно да се заменят.

- Металната четка 10 се завива направо на вретеното 1 с помощта на гаечен ключ. Проверете дали дължината на резбата на четката е достатъчно дълга, за да обхване резбата на вретеното.
- Шлифоването с шкурка се извършва с пластмасов (гумен) диск 11, под който се поставя лист от шкурка 12. Пластмасовият диск 11 се поставя върху упорния фланец 4 и се притяга със специалната гайка 13, с която е комплектован. Ако се използва работен диск с вложен фланец, то той се завива директно на вретеното без използване на затягащия фланец 5, с помощта на гаечен ключ. Дискът с вложен фланец може да бъде от смолосъдържаща гъба, пенополиуританов с носеща пластмасова вложка, в която е вложен фланец, а самият лист шкурка се захваща към пенополиуритановия диск чрез "прилепваща"-система. След смяна на диска пуснете машината да работи с новия диск около една минута без натоварване. Вибриращите или неравномерно въртящи се дискове трябва незабавно да се заменят.

ДОПЪЛНИТЕЛНА РЪКОХВАТКА (Фиг. 5)

Нормално допълнителната ръкохватка 6 се завива от лявата страна на машината. Тя може да се завие и от дясната страна, ако това е по-удобно за работещия. Машините имат трето резбово гнездо за присъединяване на допълнителната ръкохватка. Допълнителната ръкохватка на тези модели е свързана с корпуса на машината посредством виброгасящи елементи, което защитава оператора и намалява умората при работа.

ЗАВЪРТАНЕ КОРПУСА НА МАШИНАТА

Корпусът на машината може да се завърти на 90°. Това се прилага, когато машината се използва предимно за рязане. В този случай завъртането на корпуса трябва да се извърши в оторизиран сервиз за ръчни електроинструменти SPARKY.

ПРЕПОРЪКИ

При работа с отрезен диск не упражнявайте натиск, не движете диска напречно на разре-

за. Работете с умерено подаване, подходящо за обработвания материал.

Важна е посоката, в която се реже. Машината трябва да се подава в посока, обратна на въртенето на диска. В противен случай съществува опасност дискът неконтролирано да излезе извън разреза. (Фиг. 6)

При рязане на профили и тръби с правоъгълно сечение, препоръчва се да започнете рязането от най-малката страна.

При шлифование не притискайте машината върху обработваната повърхност, а движете диска плавно напред-назад. Леките метали се обработват със специални дискове. Най-добър резултат при грубо шлифование се получава при наклон от 30° - 40° между диска и обработваната повърхност (Фиг. 7). При грубо шлифование не се допуска използването на дискове за рязане. Използването на дискове с дебелина над 10 mm не се препоръчва.

Поддръжка



ПРЕДУПРЕЖДЕНИЕ: Винаги изключвайте електроинструмента и изваждайте щепсела от контакта преди всякаква проверка или поддръжка.

ПОДМЯНА НА ЧЕТКИТЕ

Електроинструментът е снабден със самоизключващи се четки. Когато четките се износят, двете четки трябва да се подменят едновременно с оригинални четки в сервиз на SPARKY за гаранционна и извънгаранционна поддръжка.

ОБЩА ПРОВЕРКА

Проверявайте редовно всички крепежни елементи и се уверете, че те са здраво притегнати. В случай, че някой от винтовете се е разхлабил, го затегнете незабавно, за да избегнете рискови ситуации.

Ако захранващият кабел е повреден, замяната трябва да се извърши от производителя или негов сервизен специалист, за да се избегнат опасностите от замяната.

ПОЧИСТВАНЕ

За безопасна работа поддържайте винаги чисти машината и вентилационните отвори.

Редовно проверявайте дали във вентилационната решетка близо до електродвигателя или около превключвателите не е проникнал прах или чужди тела. Използвайте мека четка за да отстраните събралия се прах. За да предпазите очите си, по време на почистването носете защитни очила.

Ако корпусът на машината се нуждае от почистване, избършете го с мека влажна кърпа. Може да се използва слаб препарат за миене.



ПРЕДУПРЕЖДЕНИЕ: Не се допуска употребата на спирт, бензин или други разтворители. Никога не използвайте разяждащи препарати за почистване на пластмасовите части.



ПРЕДУПРЕЖДЕНИЕ: Не се допуска влизането на вода в контакт с машината.

ВАЖНО! За да се осигури безопасната работа с електроинструмента и неговата надеждност, всички дейности по ремонта, поддръжката и регулирането (включително проверката и подмяната на четките) трябва да се извършват в оторизираните сервиси на SPARKY с използване само на оригинални резервни части.

Гаранция

Гаранционният срок на електроинструментите SPARKY се определя в гаранционна карта.

Неизправности, появили се в следствие на естествено износване, претоварване или неправилна експлоатация, се изключват от гаранционните задължения.

Неизправности, появили се в следствие на влагане на некачествени материали и/или производствени грешки, се отстраняват без допълнително заплащане чрез замяна или ремонт.

Рекламация на дефектирал електроинструмент SPARKY се признава, когато машината се върне на доставчика или се представи на оторизиран гаранционен сервиз в неразглобено (първоначално) състояние.

Забележки

Внимателно прочетете цялата инструкция за използване преди да използвате това изделие.

Производителят си запазва правото да въвежда подобрения и промени в своите изделия и да променя спецификациите без предупреждение.

Спецификациите могат да се различават за отделните страни.

